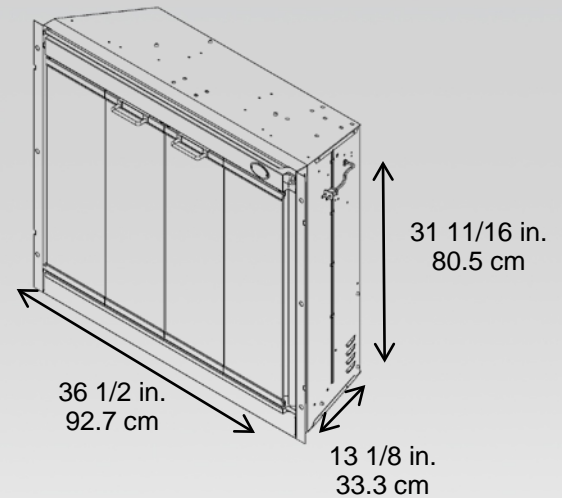
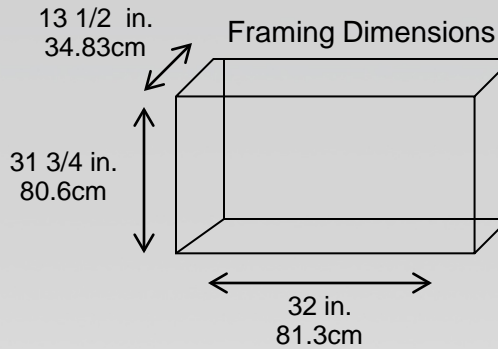


32" Multi-Fire Electric Firebox

DF3215

Product Description

- Patented electric flame technology
- Purifire air treatment system – continuously filters allergens and other irritants
- Refractory brick-look interior
- Pulsating embers and LED inner glow logs molded from wood logs for incredible realism
- Slow start/fading embers
- Intelligent heat – provides quiet operation as it self-adjusts the fan speed
- Includes bi-fold glass doors and built-in adjustable mesh spark screen
- 120 Volts / 1,500 Watts / 5,120 BTU



Includes multi-function remote control



No carbon monoxide or emissions, glass stays cool-to-touch

Model #	Description	lbs/kg	UPC	Wty. †	Carton Dimensions (W x H x D)		Cube	
					Inches	cm	ft ³	m ³
DF3215	32" Multifire electric firebox with glass bi-fold door kit	99 / 45	781052 042322	10 yr	45.3 x 33.5 x 15.8	115.1 x 85.1 x 40	13.8	0.39

Patent protected; for a complete list of applicable patents visit: www.dimplex.com/patents. Specifications, finishes and dimensions are subject to change and should be taken as a guide only.

* Based on average national residential electricity rates. Rates vary. † Limited warranty. © 2011 Dimplex North America Limited.