

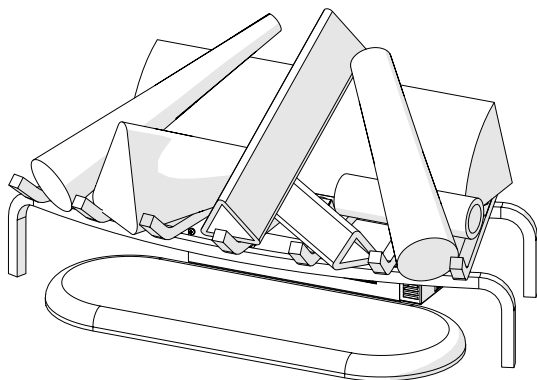


Better solutions through innovation

Owner's Manual

Model

DLG1058











IMPORTANT SAFETY INFORMATION: Always read this manual first before attempting to install or use this Log Grate. For your safety, always comply with all warnings and safety instructions contained in this manual to prevent personal injury or property damage.

To view the full line of Dimplex products, please visit www.dimplex.com

7211950100R03



Table of Contents

 Welcome & Congratulations	3
 IMPORTANT INSTRUCTIONS	4
 Log Grate Assembly	7
 Log Grate Installation	10
 Operation	11
 Maintenance	15
 Warranty	16
 Replacement Parts	18

Always use a qualified technician or service agency to repair this Log Grate.

! NOTE: Procedures and techniques that are considered important enough to emphasize.

⚠ CAUTION: Procedures and techniques which, if not carefully followed, will result in damage to the equipment.

⚠ WARNING: Procedures and techniques which, if not carefully followed, will expose the user to the risk of fire, serious injury, or death.

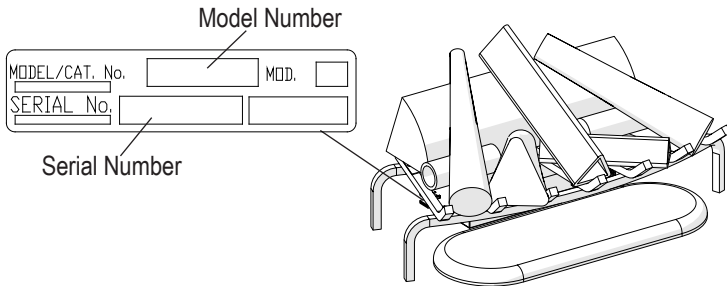
Welcome & Congratulations

Thank you and congratulations for choosing to purchase an Electric Log Grate from Dimplex, the world leader in electric fireplaces.

Please carefully read and save these instructions.


⚠ CAUTION: Read all instructions and warnings carefully before starting installation. Failure to follow these instructions may result in a possible electric shock, fire hazard and will void the warranty.


Please record your model and serial numbers below for future reference: model and serial numbers can be found on the Model and Serial Number Label of your Log Grate.



STOP NO NEED TO RETURN TO THE STORE

Questions with operation or assembly? Require Parts Information?
Product Under Manufacturer's Warranty?

Contact us at:  www.dimplex.com/customer_support
For Troubleshooting and Technical Support

OR  **Toll-Free 1-888-DIMPLEX (1-888-346-7539)**
Monday to Friday 8:00 a.m. to 4:30 p.m. EST
Please have your model number and product serial number ready. (See above)

IMPORTANT INSTRUCTIONS

When using electrical appliances, basic precautions should always be followed to reduce the risk of fire, electric shock, and injury to persons, including the following:

- ① Read all instructions before using the Log Grate.
- ② The heater is hot when in use. To avoid burns, do not let bare skin touch hot surfaces. The trim around the heater outlet becomes hot during heater operation. Keep combustible materials, such as furniture, pillows, bedding, papers, clothes, and curtains at least 3 feet (0.9m) from the front of the unit.
- ③ Extreme caution is necessary when any heater is used by or near children or invalids and whenever the unit is left operating and unattended.
- ④ Always unplug the Log Grate when not in use.
- ⑤ Do not operate any unit with a damaged cord or plug, or if the heater has malfunctioned, or if the Log Grate has been dropped or damaged in any manner. Return heater to authorized service facility for examination, electrical or mechanical adjustment, or repair.
- ⑥ Do not use outdoors.
- ⑦ The Log Grate is not intended for use in bathrooms, laundry areas and similar indoor locations. Never locate heater where it may fall into a bathtub or other water container.
- ⑧ Do not run the cord under carpeting. Do not cover cord with throw rugs, runners, or the like. Arrange cord away from traffic area and where it will not be tripped over.
- ⑨ To disconnect the unit, turn the controls off, then remove the plug from the outlet.
- ⑩ Do not insert or allow foreign objects to enter any ventilation or exhaust opening as this may cause an electric shock or fire, or damage to the heater.
- ⑪ To prevent a possible fire, do not block air intake or exhaust in any manner. Do not use on soft surfaces, like a bed, where openings may become blocked.
- ⑫ All electrical heaters have hot and arching or sparking parts

IMPORTANT INSTRUCTIONS

inside. Do not use in areas where gasoline, paint, or flammable liquids are used or stored or where the unit will be exposed to flammable vapors.

⑬ Do not modify the Log Grate. Use it only as described in this manual. Any other use not recommended by the manufacturer may cause fire, electric shock or injury to persons.

⑭ To reduce the risk of electric shock, this appliance has a polarized plug (one blade is wider than the other). This plug will fit in a polarized outlet only one way. If the plug does not fit fully in the outlet, reverse the plug. If it still does not fit, contact a qualified electrician to install the proper outlet. Do not change the plug in any way. Avoid the use of an extension cord. Plug the cord directly into an appropriate wall receptacle.

⑮ Do not burn wood or other materials in the Log Grate.

⑯ Always use a certified electrician should new circuits or outlets be required.

⑰ Always use properly grounded, fused and polarized outlets.

⑱ Disconnect all power supply before performing any cleaning, maintenance or relocation of the unit.

⑲ When transporting or storing the unit and cord, keep in a dry place, free from excessive vibration and store so as to avoid damage.



CAUTION
RISK OF ELECTRIC SHOCK
DO NOT OPEN
NO USER-SERVICEABLE PARTS INSIDE



SAVE THESE INSTRUCTIONS

IMPORTANT INSTRUCTIONS

⚠ CAUTION: This equipment has been tested and found to comply with the limits for Class B digital device, pursuant to part 15 of the FCC Rules. These limits are designed to provide reasonable protection against harmful interference in a residential installation. This equipment generates, uses and can radiate radio frequency energy and, if not installed and used in accordance with the instructions, may cause harmful interference to radio or television reception, which can be determined by turning the equipment off and on, the user is encouraged to try to correct the interference by one or more of the following measures:

- Reorient or relocate the receiving antenna.
- Increase the separation between the equipment and the receiver.
- Connect the equipment into an outlet on a circuit different from that to which the receiver is connected.
- Consult the dealer or an experienced radio/TV technician for help.

Operation is subject to the following two conditions: (1) this device may not cause interference and (2) this device must accept any interference, including interference that may cause undesired operation of the device.

⚠ WARNING: Remote control contains small batteries. Keep away from children. If swallowed, seek medical attention immediately.

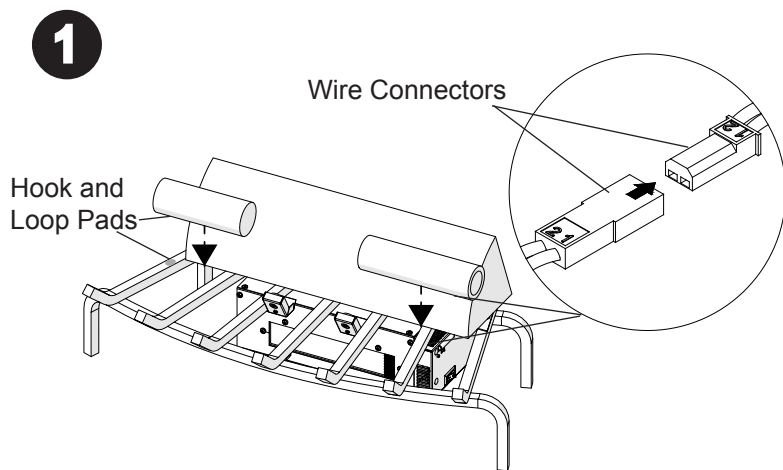
⚠ WARNING: Do not install battery backwards, charge, put in fire or mix with used or other battery types - may explode or leak causing injury.

! NOTE: Changes or modifications not expressly approved by the party responsible for compliance could void user's authority to operate the equipment.

Log Grate Assembly

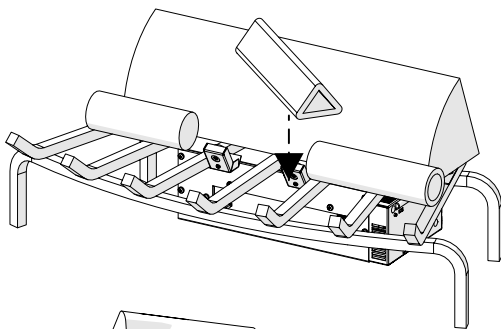
⚠ CAUTION: Handle logs carefully, they are fragile and can easily crack or break, if dropped. Each log is a separate component that needs to be placed on the grate. Position each log so that the hook and loop dot on the backside of the log lines up with the corresponding hook and loop pad on the Log Grate. These pads assist with securing the logs to the grate.

Each of the logs contain LED lights to create a flickering effect. During assembly, each log requires the electrical connectors on the log and grate to be connected as they are being placed. In some cases, these wires will need to have tie wraps added to prevent the wires from being seen after final assembly.

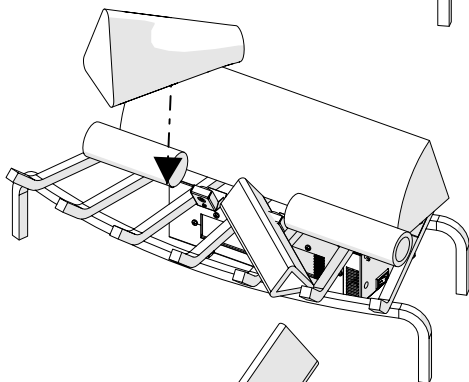


Log Grate Assembly

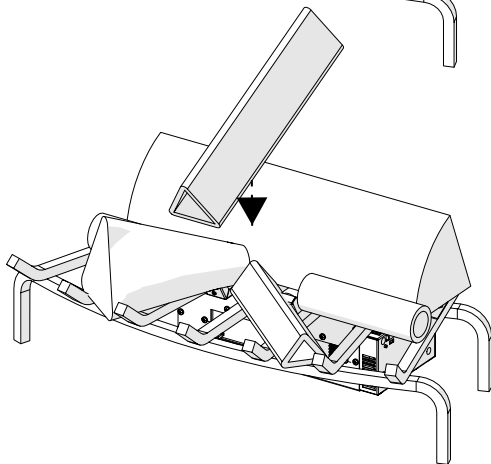
2



3

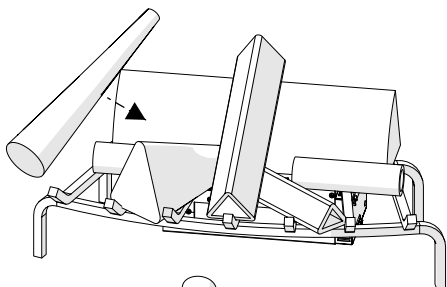


4

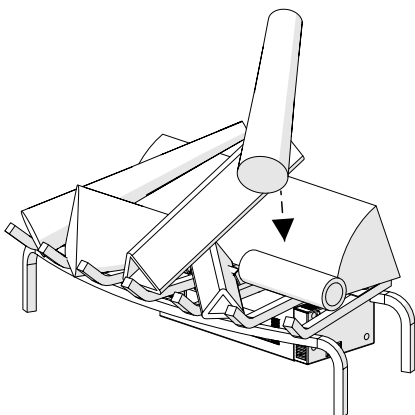


Log Grate Assembly

5

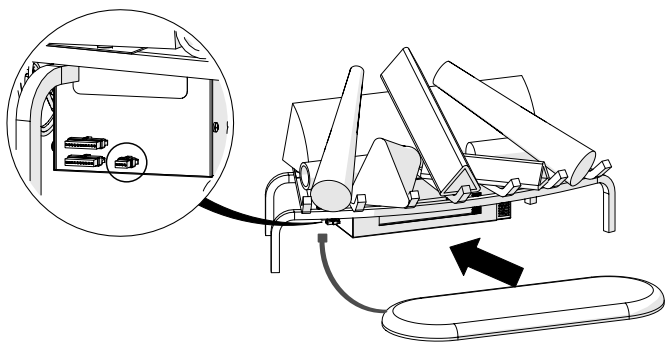


6



⚠ CAUTION: Ensure that none of the connecting wires are left hanging in front of the heater outlet.

7



Log Grate Installation

! NOTE: A 15amp, 120 volt circuit is required. A dedicated circuit is preferred but not essential in all cases. A dedicated circuit will be required if, after installation, the circuit breaker trips or fuse blows on a regular basis when the heater is operating. Additional appliances on the same circuit may exceed the current rating of the circuit breaker.

⚠ WARNING: Ensure the power cord is not installed so that it is pinched or against a sharp edge and ensure that the power cord is stored or secured to avoid tripping or snagging to reduce the risk of fire, electric shock or injury to persons.

Construction and electrical outlet wiring must comply with local building codes and other applicable regulations to reduce the risk of fire, electric shock and injury to persons.

Do not attempt to wire your own new outlets or circuits. To reduce the risk of fire, electric shock or injury to persons, always use a licensed electrician.

1. Make sure the units On/Off switch is switched OFF (refer to operating instruction section).
2. Plug the unit into a 15 Amp/120 volt outlet.

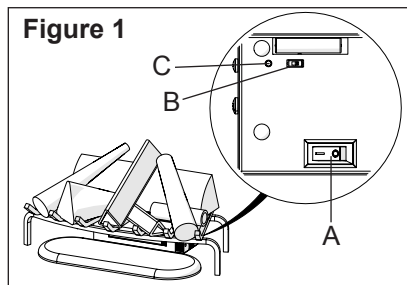
! NOTE: For optimal flame projection, it is recommended that the unit be placed 4" (10.2 cm) from the back of the mantel.

The addition of a mesh spark screen in front of the Log Grate and Fireplace tools can be used to complete the look of your hearth.

To enhance the look of the Log Grate, further, non-toxic materials such as cat litter and/or lava rock to replicate the look of ashes and embers, can also be used.

⚠ CAUTION: We do not recommend the use of additional decorative material in homes with young children or pets where these materials could be a choking hazard.

🔑 Operation



The manual controls for the Log Grate are located in the front right side. (Figure 1)

A. On/Off Switch

Supplies power to the 2-Position Switch.

B. 2-Position Switch

The 2-Position Switch toggles the unit between Manual Operation and Remote Operation.

- **Remote (Front Position):**
The unit is operated with the remote control.
- **Manual (Back Position):** The unit operates with the flames, logs and ember bed. When the manual control is in the **Manual** position the heater does not run.

! **NOTE:** When the manual control switch is in the **Manual** position, the Log Grate unit will not operate with the remote control.

C. Initialization Button

Used to synchronize the supplied remote control with the Log Grate.

Resetting the Temperature Cutoff Switch

Should the heater overheat, an automatic cutout will turn the heater off and it will not come back on without being reset. It can be reset by switching the On/Off Switch to Off and waiting 5 minutes before switching the unit back on.

⚠ CAUTION: If you need to continuously reset the heater, unplug the unit and call Dimplex North America Limited at 1-800-668-6663.

Remote Control

The remote control has a range of approximately 50 feet (15.25 m), it does not have to be pointed at the Log Grate and can pass through most obstacles (including walls). It is supplied with 243 independent frequencies to prevent interference with other units.

Battery Installation

1. Depress tab on the battery cover on the back of the remote control and remove battery cover.

🔑 Operation

2. Install two (2) AAA batteries into the remote control (included).
3. Ensure Child Lock is in the “unlocked” position (Figure 2).
4. Replace the battery cover.

! NOTE: When the “BAT” symbol is present on the remote control it is recommended to replace the batteries promptly, to maintain full functionality of the remote/ Log Grate. The remote control has a battery backup time of only several hours.

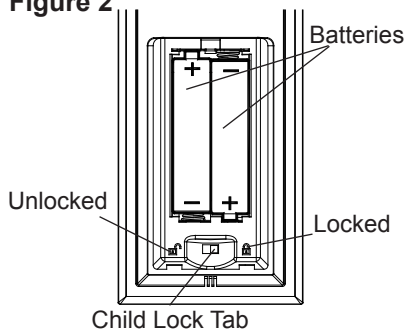




Battery must be recycled or disposed of properly. Check with your Local Authority or Retailer for recycling advice in your area.

Remote Control Initialization/ Reprogramming

1. Plug cord into 120 Volt wall outlet.
2. Ensure the On/Off Switch (Figure 1A) **■** (ON) position.
3. Set the 2-Position Switch (Figure 1B) to the **Remote** position (front position).
4. Press and hold the Initialization Button on the unit (Figure 1C).

Figure 2



5. While holding the Initialization Button, press the Flame/Heat On/Off  button on the remote control.
6. Release the Initialization Button on the unit.
7. Press the Flame/Heat On/Off  to turn the Flame/Heat function On.

Frequency Interference

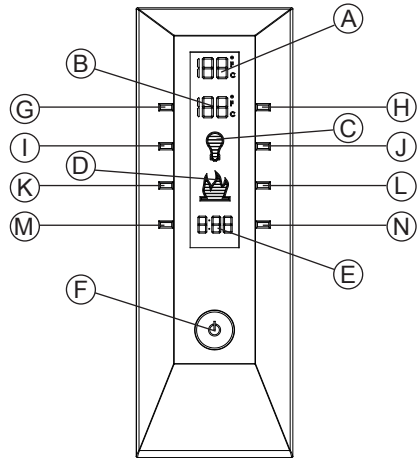
If the Log Grate does not respond properly to the remote control, the remote operating frequency may have to be reset. The remote control can send another frequency code to the remote control receiver to eliminate interference.

1. Simultaneously press the “**Temperature Down**” button and the “**Flame Speed**

Operation

Figure 3 - Remote Control Functions

- A. Room Temperature
- B. Set Temperature
- C. Light Dimmer
- D. Flame Speed Control
- E. Sleep Timer
- F. Flame & Heat On/Off
- G. Temperature Down
- H. Temperature Up
- I. Light Dimmer Down
- J. Light Dimmer Up
- K. Flame Speed Down
- L. Flame Speed Up
- M. Sleep Timer Down
- N. Sleep Timer Up



Down” button on the remote control (Figure 3).

2. **“COD**” will appear in place of the sleep timer digits.
3. Release the **“Temperature Down**” button and the **“Flame Speed Down**” button.
4. Press the Initialization Button on the unit (Figure 1C).
5. Press the Flame/Heat On/Off Button (⊕) button on the remote.

Your remote will now have a different frequency communicating with the Log Grate.

Remote Control Functions

(All letter references are to Figure 3)

B. Set Temperature

Press **F** button (⊕) to turn Log Grate on.

Press **H** to raise the thermostat.

Press **G** to lower the thermostat.

Press both **H** and **G** to change °F to °C.

C. Light Dimmer

Press the **F** button (⊕) to turn the Flame/Heat on.

Repeatedly press the **J** or **I** button to decrease or increase the

Operation

brightness of the up lights.

D. Flame Speed

Press the **F** button (⊕) to turn the Flame/Heat on.

Press the **L** button to increase the speed of the flame.

Press the **K** to decrease the speed of the flame.

E. Sleep Timer


The Sleep Timer automatically shuts off the Log Grate after a preset time (from 30 minutes to 8 hours).

Press the **F** button (⊕) to turn the Log Grate on.

To set the sleep timer press the **N** button.

Set the timer from 30 minutes through 8 hours. The Log Grate will automatically turn off when the sleep timer reaches zero (0) minutes.

The Sleep Timer can be cancelled at any time by pressing the **M** button repeatedly until the sleep timer displays nothing.

 **WARNING:** Disconnect power before attempting any maintenance or cleaning to reduce the risk of fire, electric shock or damage to persons.

F. Flame & Heat On/Off Button

Press the **F** button (⊕) to turn the Flame/Heat function on. When **B** is higher than **A** the heat will come on. To turn the heat off, lower the **B** so that its setting is lower than the **A**. The default temperature setting is 72°F (22°C).

! NOTE: When using the remote control the heater runs on a thermostat. Press the **H** or **G** buttons to adjust the set temperature. Once the desired set temperature is reached the heater will turn off. The heater will cycle on and off to maintain the desired set temperature.

Child Lock (Figure 2)

1. Depress tab on the battery cover on the back of the remote control and remove the battery cover.
2. Move **Child Lock** tab to the right to lock the remote control.
3. Move **Child Lock** tab back to the left to unlock the remote control.
4. Replace the battery cover.


! NOTE: To temporarily unlock the remote control press (in order)

Operation

G then **H** then **I**.

When the remote control's backlight is illuminated the **Child Lock** is bypassed. When the backlight is off the **Child Lock** is re-activated.

Maintenance

 **WARNING:** Disconnect power before attempting any maintenance or cleaning to reduce the risk of fire, electric shock or damage to persons.

Log Grate Surface Cleaning

Use warm damp cloth only to clean surfaces of the Log Grate. Do not use abrasive cleaners.

Servicing

An authorized service representative should perform any servicing.



CAUTION
RISK OF ELECTRIC SHOCK
DO NOT OPEN
NO USER-SERVICEABLE PARTS INSIDE





Warranty

ONE YEAR LIMITED WARRANTY

Products to which this limited warranty applies

This limited warranty applies to your newly purchased Dimplex Electric Log Grate. This limited warranty applies only to purchases made in any province of Canada except for Yukon Territory, Nunavut, or Northwest Territories or in any of the 50 States of the USA (and the District of Columbia) except for Hawaii and Alaska. This limited warranty applies to the original purchaser of the product only and is not transferable.

Products excluded from this limited warranty

Light bulbs are not covered by this limited warranty and are the sole responsibility of the owner/purchaser. Products purchased in Yukon Territory, Nunavut, Northwest Territories, Hawaii, or Alaska are not covered by this limited warranty. Products purchased in these States, provinces, or territories are sold AS IS without warranty or condition of any kind (including, without limitation, any implied warranties or conditions of merchantability or fitness for a particular purpose) and the entire risk of as to the quality and performance of the products is with the purchaser, and in the event of a defect the purchaser assumes the entire cost of all necessary servicing or repair.

What this limited warranty covers and for how long

Products covered by this limited warranty have been tested and inspected prior to shipment and, subject to the provisions of this warranty, Dimplex warrants such products to be free from defects in material and workmanship for a period of 12

months from the date of the first purchase of such product.

The limited 12 month warranty period also applies to any implied warranties that may exist under applicable law. Some jurisdictions do not allow limitations on how long an implied warranty lasts, so the above limitation may not apply to the purchaser.

What this limited warranty does not cover

This limited warranty does not apply to products that have been repaired (except by Dimplex or its authorized service representatives) or otherwise altered. This limited warranty does further not apply to defects resulting from misuse, abuse, accident, neglect, incorrect installation, improper maintenance or handling, or operation with an incorrect power source.

What you must do to get service under this limited warranty

Defects must be brought to the attention of Dimplex Technical Service by contacting Dimplex at 1-888-DIMPLEX (1-888-346-7539), or 1367 Industrial Road, Cambridge Ontario, Canada N1R 7G8. Please have proof of purchase, catalogue/model and serial numbers available when calling. Limited warranty service requires a proof of purchase of the product.

What Dimplex will do in the event of a defect

In the event a product or part covered by this limited warranty is proven to be defective in material or workmanship during the 12 month limited warranty period you have the following rights:

- Dimplex will in its sole discretion either repair or replace such defective product or part without charge. If Dimplex is unable to repair or replace



Warranty

such product or part, or if repair or replacement is not commercially practicable or cannot be timely made, Dimplex may, in lieu of repair or replacement, choose to refund the purchase price for such product or part.

- Limited warranty service will be performed solely by dealers or service agents of Dimplex authorized to provide limited warranty services.
- The purchaser is responsible for removal and transportation of such product or part (and any repaired or replacement product or part) to and from the authorized dealer's or service agent's place of business.
- This limited warranty does not entitle the purchaser to on-site or in-home services. On-site or in-home services may be performed at the purchaser's specific request and expense at Dimplex's then-current rates for such services.
- Dimplex will not be responsible for, and the limited warranty services shall not include, any expense incurred for installation or removal of the product or part (or any replacement product or part) or any labour or transportation costs. Such costs shall be the purchaser's responsibility.

What Dimplex and its dealers and service agents are also not responsible for:

IN NO EVENT WILL DIMPLEX, OR ITS DIRECTORS, OFFICERS, OR AGENTS, BE LIABLE TO THE PURCHASER OR ANY THIRD PARTY, WHETHER IN CONTRACT, IN TORT, OR ON ANY OTHER BASIS, FOR ANY INDIRECT, SPECIAL, PUNITIVE, EXEMPLARY, CONSEQUEN-

TIAL, OR INCIDENTAL LOSS, COST, OR DAMAGE ARISING OUT OF OR IN CONNECTION WITH THE SALE, MAINTENANCE, USE, OR INABILITY TO USE THE PRODUCT, EVEN IF DIMPLEX OR ITS DIRECTORS, OFFICERS, OR AGENTS HAVE BEEN ADVISED OF THE POSSIBILITY OF SUCH LOSSES, COSTS OR DAMAGES, OR IF SUCH LOSSES, COSTS, OR DAMAGES ARE FORESEEABLE. IN NO EVENT WILL DIMPLEX, OR ITS OFFICERS, DIRECTORS, OR AGENTS BE LIABLE FOR ANY DIRECT LOSSES, COSTS, OR DAMAGES THAT EXCEED THE PURCHASE PRICE OF THE PRODUCT.

SOME JURISDICTIONS DO NOT ALLOW THE EXCLUSION OR LIMITATION OF INCIDENTAL OR CONSEQUENTIAL DAMAGES, SO THE ABOVE LIMITATION OR EXCLUSION MAY NOT APPLY TO THE PURCHASER.

How State and Provincial law apply

This limited warranty gives you specific legal rights, and you may also have other rights which vary from jurisdiction to jurisdiction. The provisions of the United Nations Convention on Contracts for the Sale of Goods shall not apply to this limited warranty or the sale of products covered by this limited warranty.



Replacement Parts

Flicker Motor	2000450100RP
Heater Assembly (with cutout).	2203580100RP
On/Off Switch	2800070700RP
Power Cord (with Strain Relief).	4100010800RP
Remote Control	3000350100RP
Remote Control Receiver & Housing.	3000960100RP
Log Set Assembly	DLG1058-LOGRP
Back Log (with Flame Screen)	0440740100RP
Wire Harness Set (includes Grate and Up Lights).	250066RP
Ember Bed.	0441000100RP



Dimplex North America Limited
1367 Industrial Road
Cambridge ON
Canada N1R 7G8

© 2012 Dimplex North America Limited