



# ELECTRIC BUILDERS BOX INSTALLATION GUIDE

**MODEL NUMBERS:**  
**36EB110-GRT, 36EB111-GRC**  
**36EB220-GRT, 36EB221-GRC**

## CONSUMER SAFETY INFORMATION

**PLEASE READ THIS MANUAL BEFORE USING THIS APPLIANCE**  
**WARNING**

**IF THE INFORMATION IN THIS MANUAL IS NOT FOLLOWED,  
AN ELECTRIC SHOCK OR FIRE MAY RESULT CAUSING PROPERTY  
DAMAGE, PERSONAL INJURY OR LOSS OF LIFE.**

**DO NOT STORE OR USE GASOLINE OR OTHER FLAMMABLE  
VAPORS AND LIQUIDS IN THE VICINITY OF THIS  
OR ANY OTHER APPLIANCE.**

Thank you and congratulations on your purchase of a Classic Flame electric builder box. Please read the installation instructions before installing and operating this appliance.

**IMPORTANT:** Read all instructions and warnings carefully before using. Failure to follow these instructions may result in a possible electric shock, fire hazard and/ or injury and will void the warranty.

### For Customer Service:

E-Mail: [parts@twinstarhome.com](mailto:parts@twinstarhome.com)  
In English Call: 866-661-1218  
In French Call: 866-661-1218  
In Spanish Call: 866-661-1218

Twin-Star International, Inc.  
Delray Beach, FL 33445  
U.S.A.

Made in China  
Printed in China

©2012, Twin-Star International, Inc.



## LISTINGS AND CODE APPROVALS

THE BUILDERS BOX SERIES HAS BEEN TESTED AND APPROVED IN ACCORDANCE WITH CSA AND UL STANDARDS FOR FIXED AND LOCATION DEDICATED ELECTRIC ROOM HEATERS.

### MODEL SPECIFICATIONS

MODEL NUMBER	DESCRIPTION	VOLTAGE	RATED POWER WATTS	BTU	AMPS
36EB110-GRT	36" TRADITIONAL	120	1440	4400	12
36EB220-GRT	36" TRADITIONAL	208/240	2100/2800	6700/8900	10.1/11.7
36EB111-GRC	36" CONTEMPORARY	120	1440	4400	12
36EB221-GRC	36" CONTEMPORARY	208/240	2100/2800	6700/8900	10.1/11.7

## WARNING

THE INSTALLATION OF THE BUILDER BOX MUST COMPLY WITH THE APPLICABLE LOCAL AND / OR NATIONAL ELECTRICAL CODES AND UTILITY REQUIREMENTS. THIS INSTALLATION SHOULD BE ENTRUSTED TO ONLY QUALIFIED PERSONNEL WHERE REQUIRED BY LAW.

## INSTALLATION OVERVIEW

(Please read all instructions and user manual before installation)

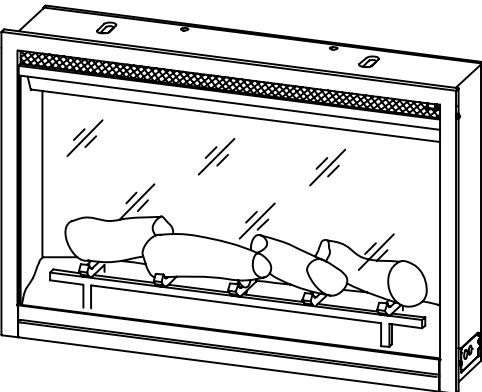
- Section 1.) Prepare product for installation.
- Section 2.) Rough in framing following the recommended dimensions.
- Section 3.) Recommended power supply wire specifications.
- Section 4.) Mount the unit.
- Section 5.) 120V wiring instructions.
- Section 6.) 208/240V wiring instructions.
- Section 7.) Install control box.
- Section 8.) Check & test.
- Section 9.) Electrical wiring diagram.



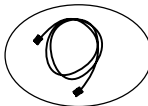
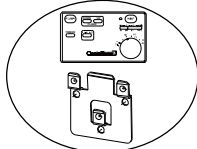
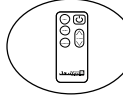
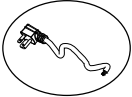
# SECTION 1: PREPARATION

1.) Open the master carton, stone box , and wall mounted control box and make sure you have all the parts listed. Remove the parts from the cartons and put them in a safe location ( see figure 1.)

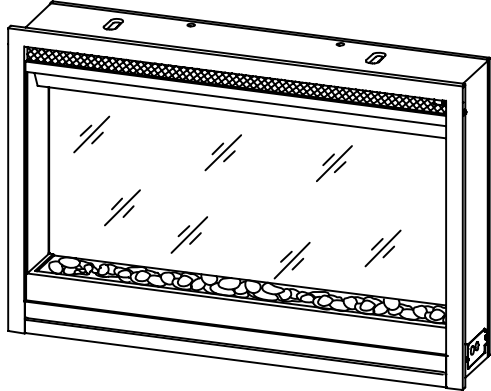
Figure 1



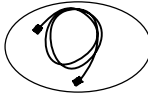
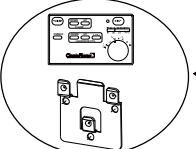
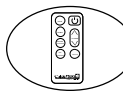
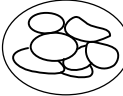

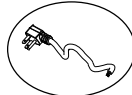
36EB110-GRT  
36EB220-GRT

-  Sign Wire
-  Control Box with bracket
-  Remote Control
-  Power Cord  
(Only for 36EB110-GRT)

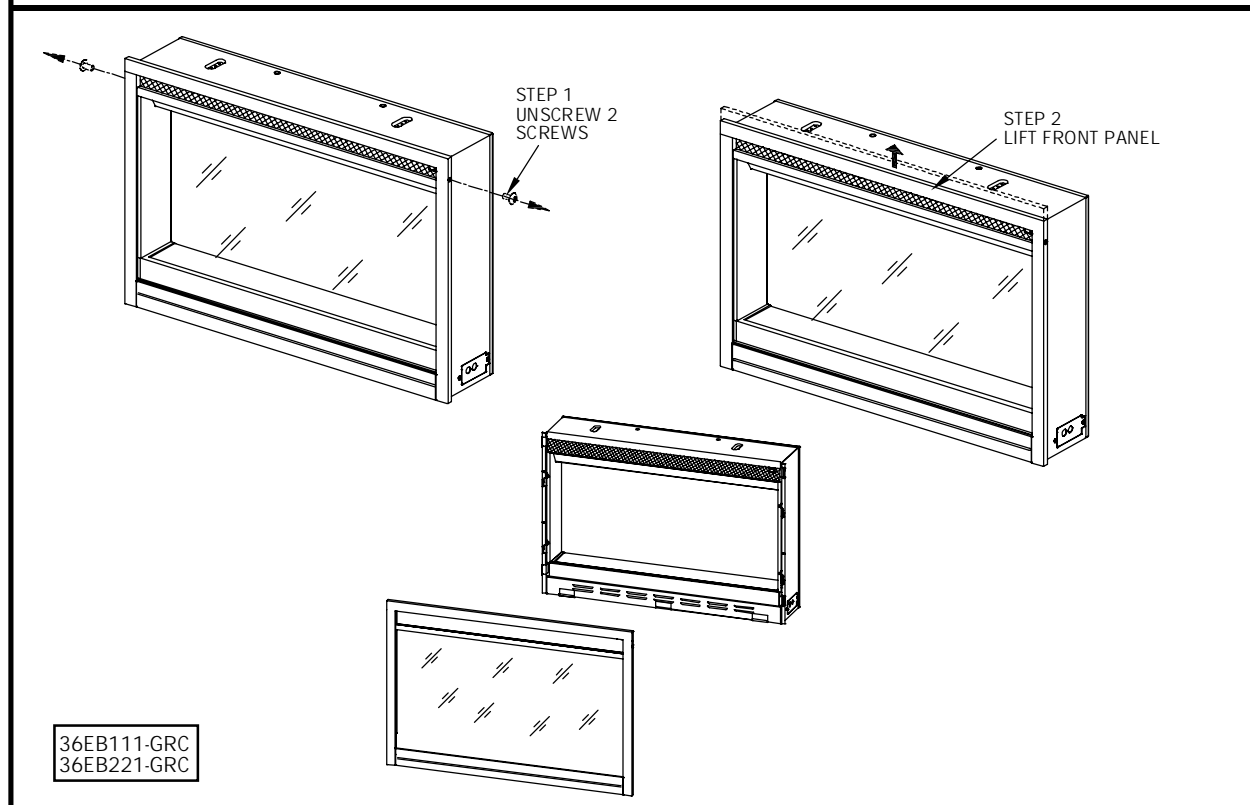
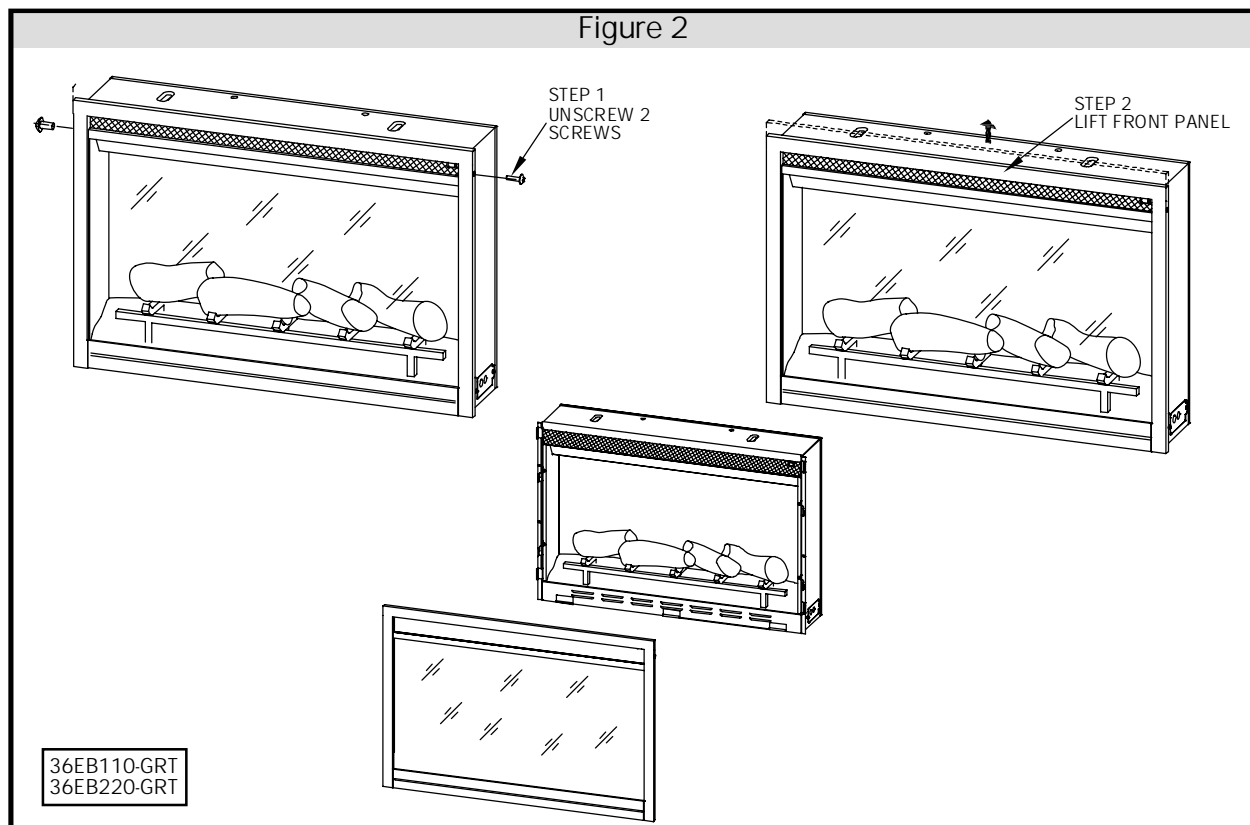
---



36EB111-GRC  
36EB221-GRC

-  Sign Wire
-  Control Box with bracket
-  Remote Control
-  Stones
-  Fireglass
-  Power Cord  
(Only for 36EB111-GRC)

- 2.) Unscrew 2 screws on the side edge of the frame (Fig. 2). Securely holding the frame lift up and pull away from the unit to remove the frame. Do not remove the protective plastic film at this time. Place the frame in a safe place( see figure 2.)

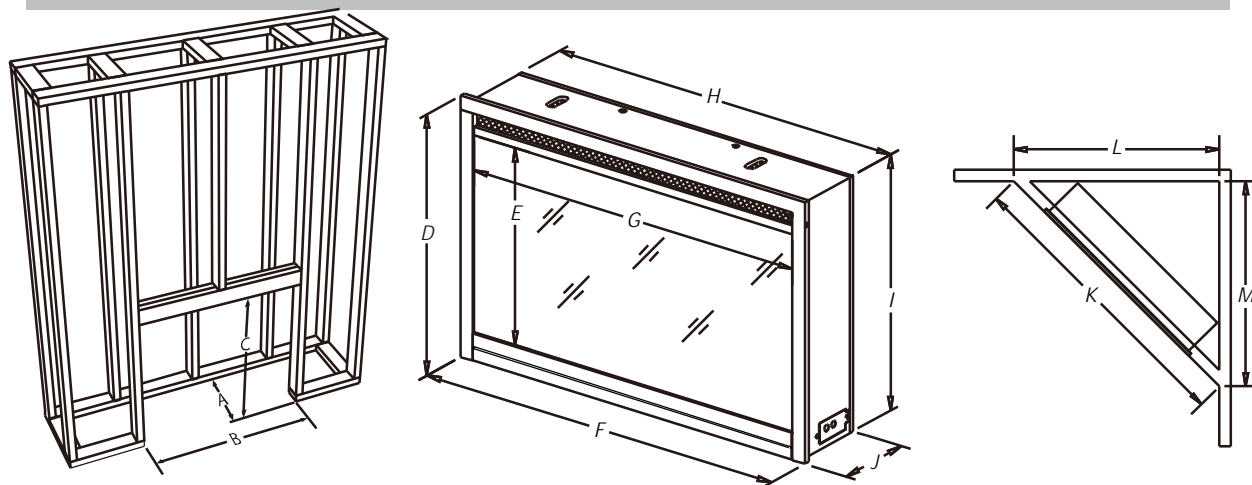


## SECTION 2: FRAMING

This fireplace is a zero clearance design. No combustibles can be placed on the top surface of the fireplace. Combustibles may be installed to the edge of the unit. Insulation and vapor barrier should be placed a minimum of 2 inches from the unit. Build the framing according to the specifications shown in the below table & figure 3.

MODEL	A	B	C	D	E	F	G	H	I	J	K	L	M
36EB110-GRT 36EB220-GRT 36EB111-GRC 36EB221-GRC	8"	35"	23.8"	24"	18"	36"	33.5"	34.7"	23.6"	7.8"	51"	36"	36"

Framing Specification: Figure 3



## Section 3: Recommended Power Supply Wire Specifications

For 36EB110-GRT & 36EB111-GRC installations use three non-metallic sheathed cables with ground wire for the power supply. Use the appropriate wires to meet local and national electrical codes for rated power consumption.

For 36EB220-GRT & 36EB221-GRC installations use four non-metallic sheathed cables with ground wire for the incoming power supply. Use the appropriate wires to meet local and national electrical codes for rated power consumption.

### Recommended Wire and Fusing Requirements

Use appropriate wire to meet local and national electrical codes for rated power consumption. All wire gauges should be 12 gauge solid wires with a dedicated 15 amp breaker for 120 volts. For 208/240 volts Builders Box models use two dedicated 15 amp breakers.

Allow at least 8 in of service cable for connecting power supply wire to junction box on fireplace insert when installing before finishing wall. Allow up to 4 feet of service cable for connecting power supply wire to junction box on fireplace insert after finishing wall. The control box is supplied with a six meter long cable.

## SECTION 4: MOUNTING

Install Method:

- 1.) Remove front frame (see figure 2).
- 2.) Remove the screws holding side panels and then remove the side panels (see figure 4 & 5).
- 3.) Insert the builders box into the opening in the framing.

Figure 4: Mounting Tab Location

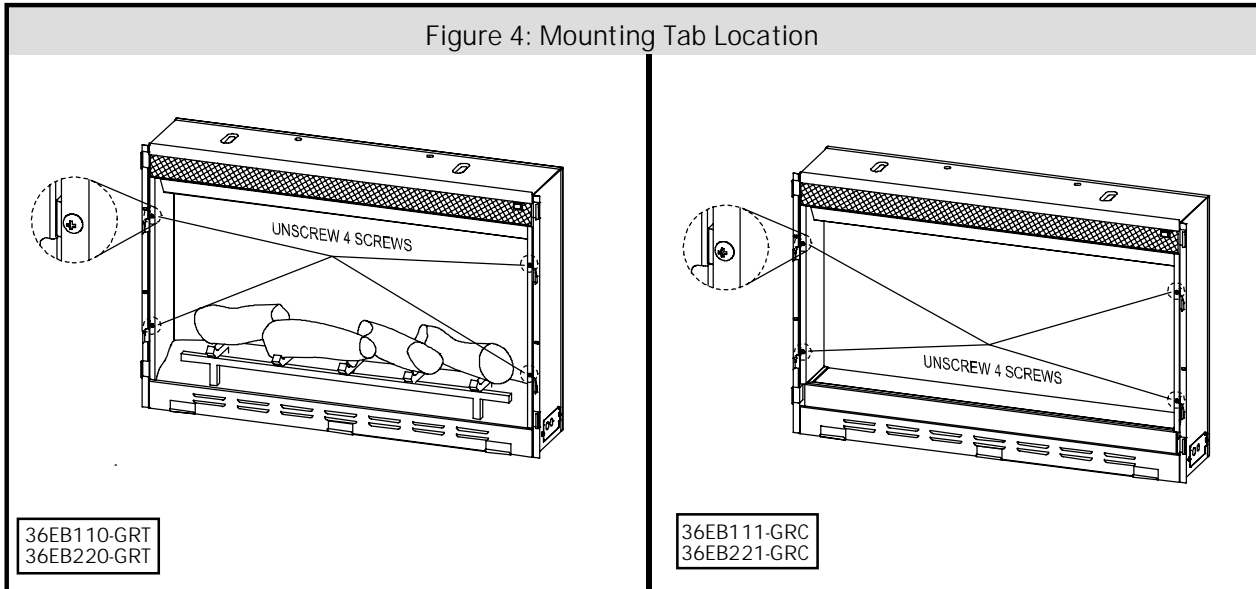
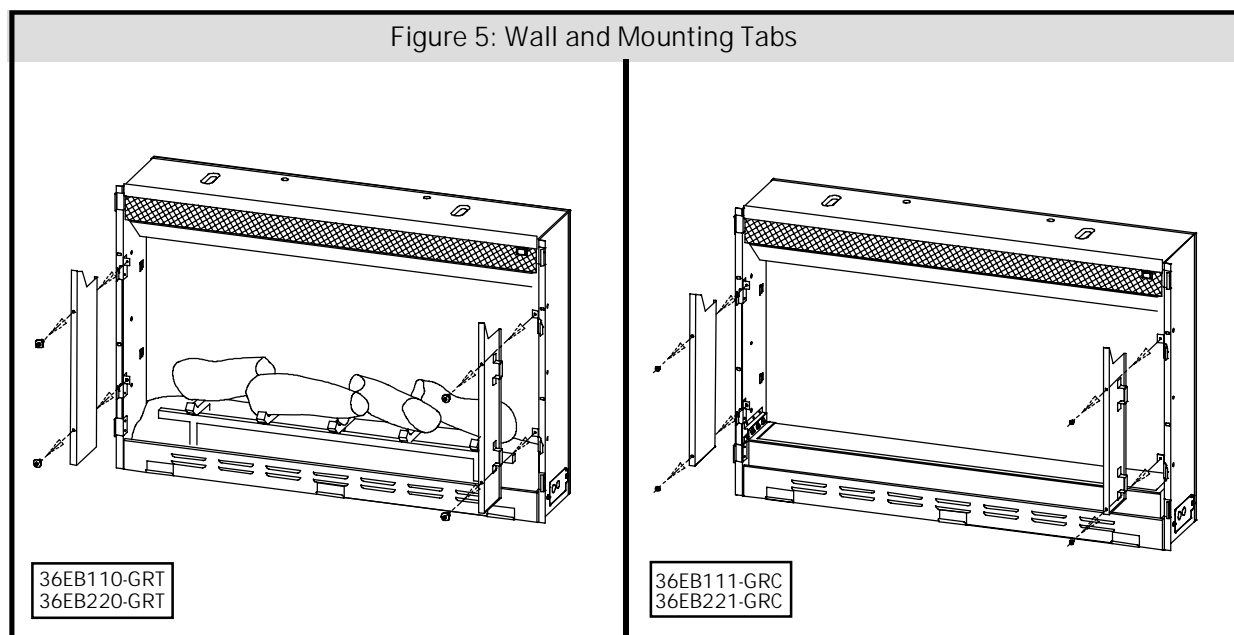
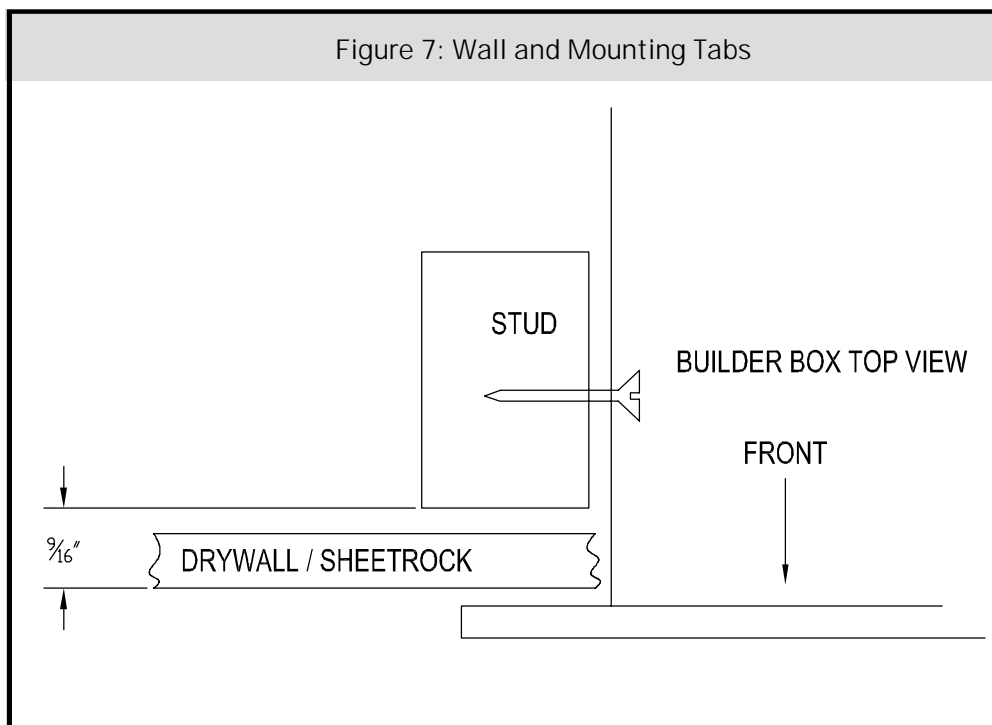
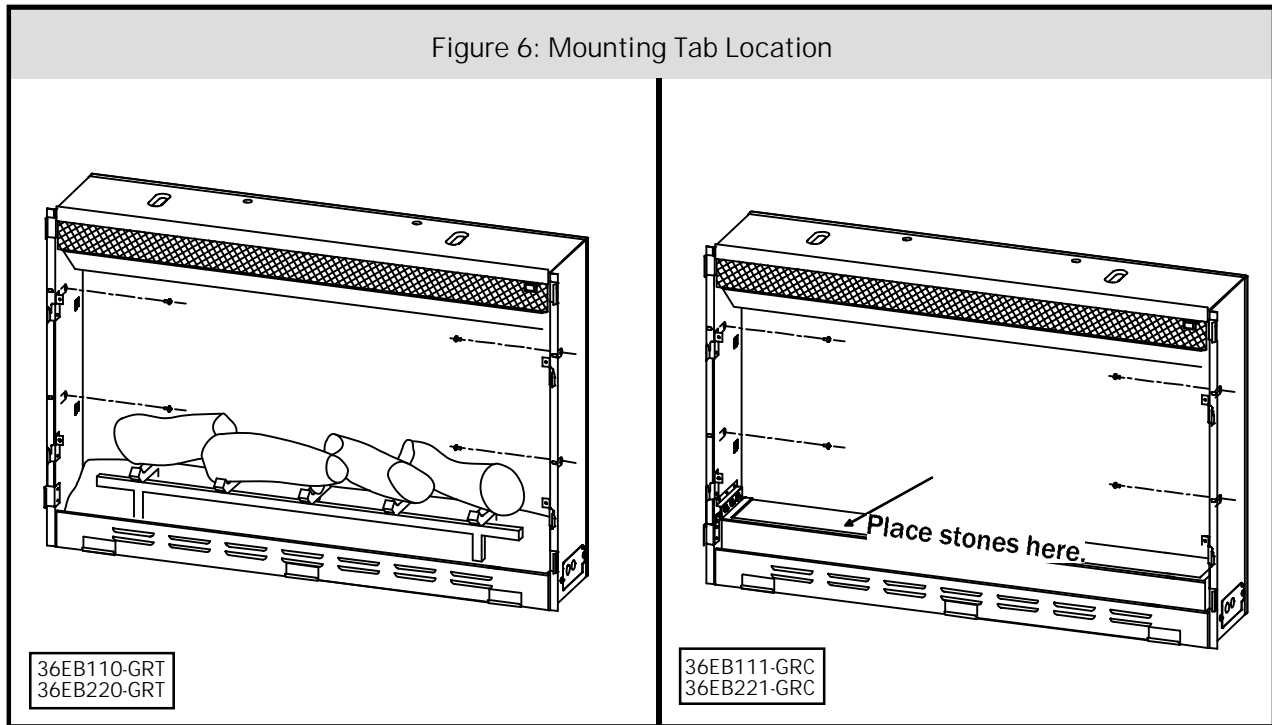


Figure 5: Wall and Mounting Tabs



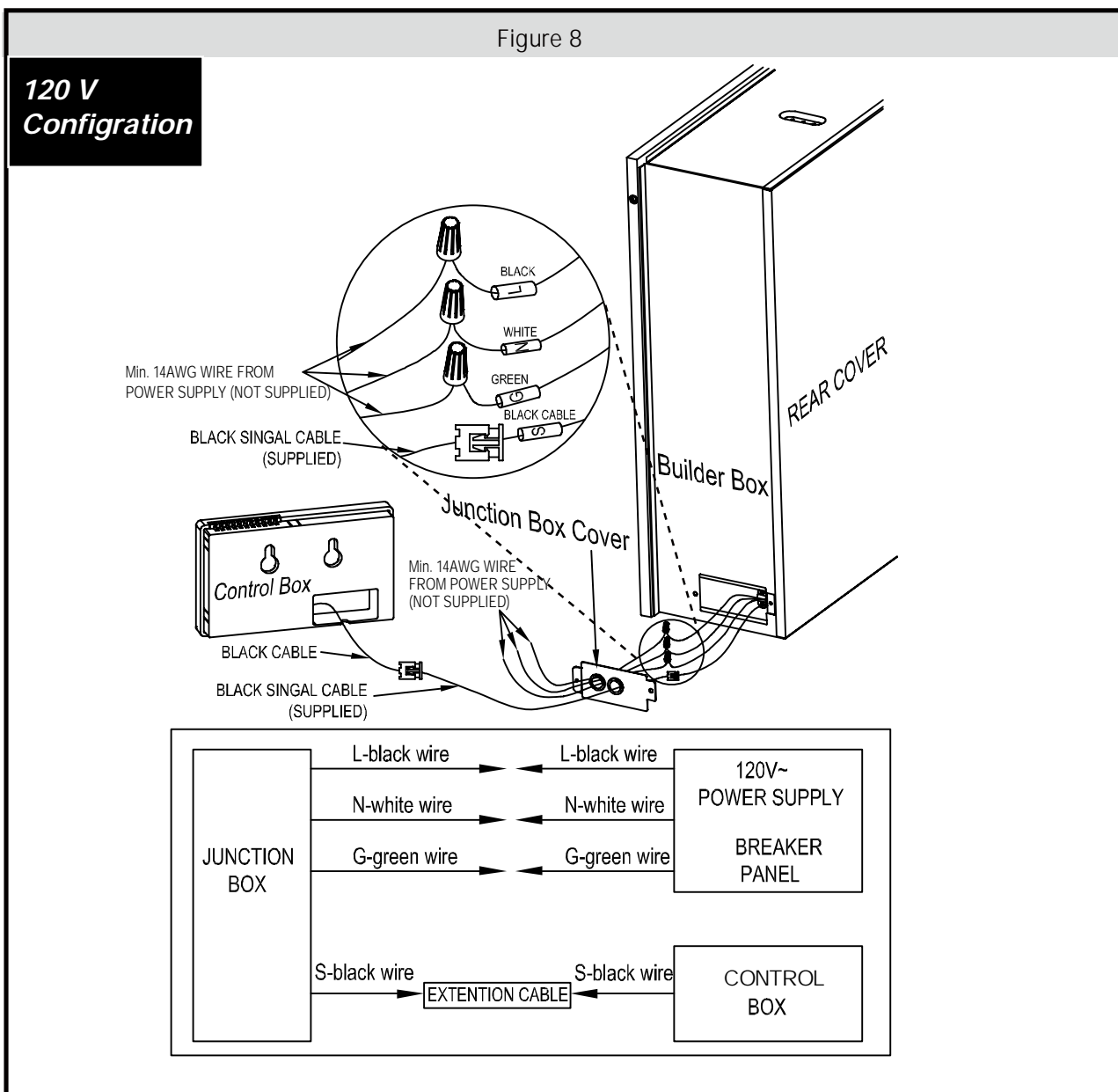
- 4.) Install the builders box using 4pcs screws from the inside of the builder box (see figure 6 & 7).
- 5.) Remount the side panels.
- 6.) Place the stones as desired.(Only for 36EB111-GRC & 36EB221-GRC )
- 7.) Remount the front frame.



## SECTION 5: 120V WIRING INSTRUCTIONS

- 1.) Loosen the screw securing the junction box cover and remove the cover.
- 2.) Pull the power supply wires through the hole in the cover.
- 3.) Pull out the 4 wires marked L, N, G, S from the junction box on the side of the builder box.
- 4.) Connect the black L wire from the unit to the black L from the power supply.
- 5.) Connect the white N wire from the unit to the white N from power supply.
- 6.) Connect the green ground G wire from the unit to the ground from the power supply.
- 7.) Plug the S wire connector into the provided sign wire.
- 8.) Ensure that all connections are tight.
- 9.) Secure all the wiring with wire-caps, then insert into the junction box.
- 10.) Remount the junction box cover (see figure 8 & 9.)

Note: 36EB110-GRT & 36EB111-GRC will only run on 120 volt operation.

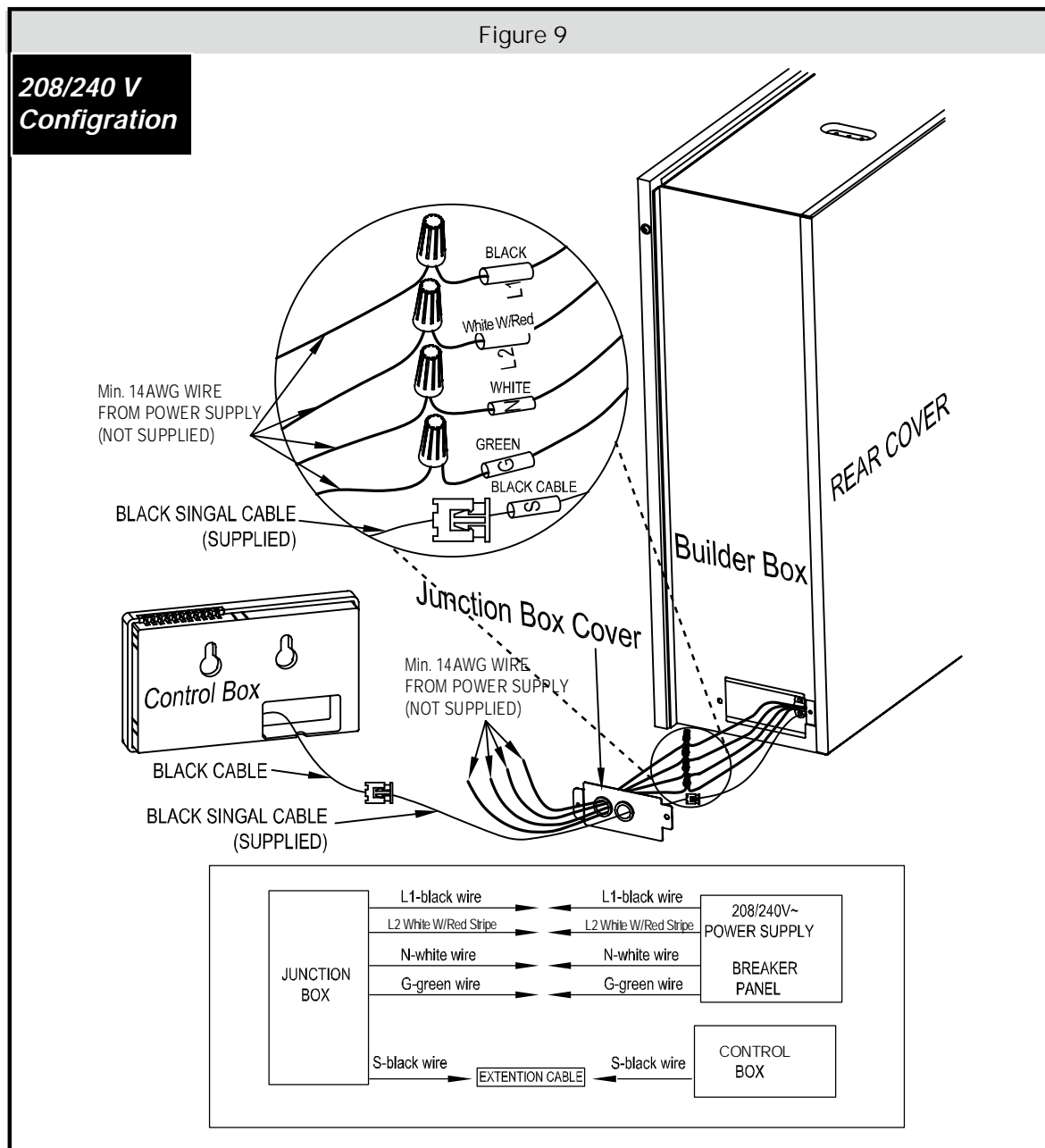




## SECTION 6: 208/240V WIRING INSTRUCTIONS

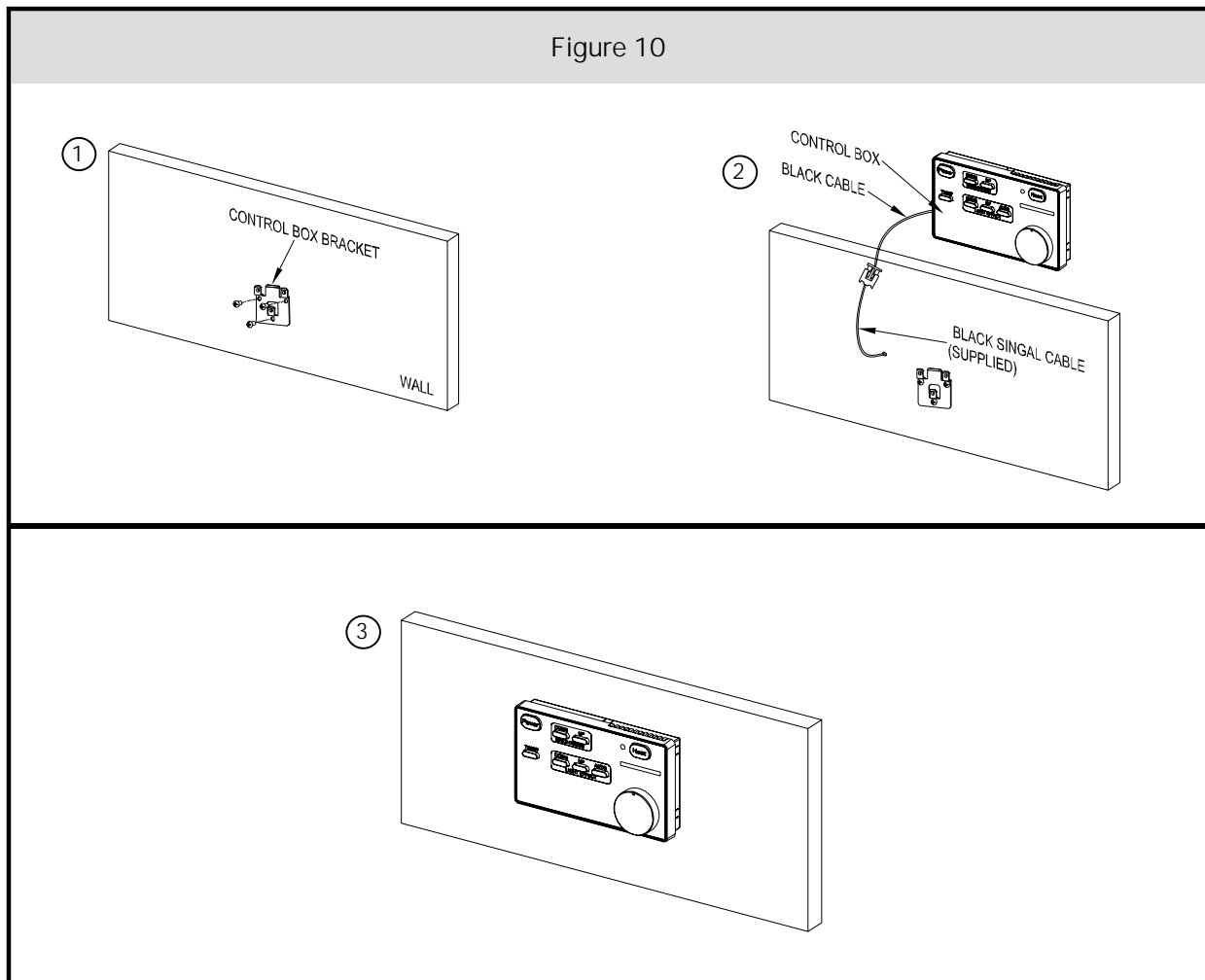
- 1.) Loosen the screw securing the junction box cover and remove the cover.
- 2.) Pull the power supply wires through the hole in the cover.
- 3.) Pull out the 5 wires marked L1, L2, N, G, S from the junction box on the side of the builder box.
- 4.) Connect the black L1 wire and red L2 from the unit to the two dedicated 15 amp lines from the power supply.
- 5.) Connect the white N wire from the unit to the white N from power supply.
- 6.) Connect the green ground G wire from the unit to the ground from the power supply.
- 7.) Plug the S wire connector into the provided sign wire.
- 8.) Ensure that all connections are tight.
- 9.) Secure all the wiring with wire-caps, then insert into the junction box.
- 10.) Remount the junction box cover (see figure 8 & 9.)

Note: 36EB220-GRT & 36EB221-GRC will only work with a two phase 208/240v power supply. Single phase 208/240v is not supported and will void the warranty.



## SECTION 7: INSTALL CONTROL BOX

1. Mount the control box bracket to the wall using provided screws.
2. Connect control panel wire to extension cable.
3. Insert the control box to the bracket and finish the control box installation.



## SECTION 8: CHECK & TEST

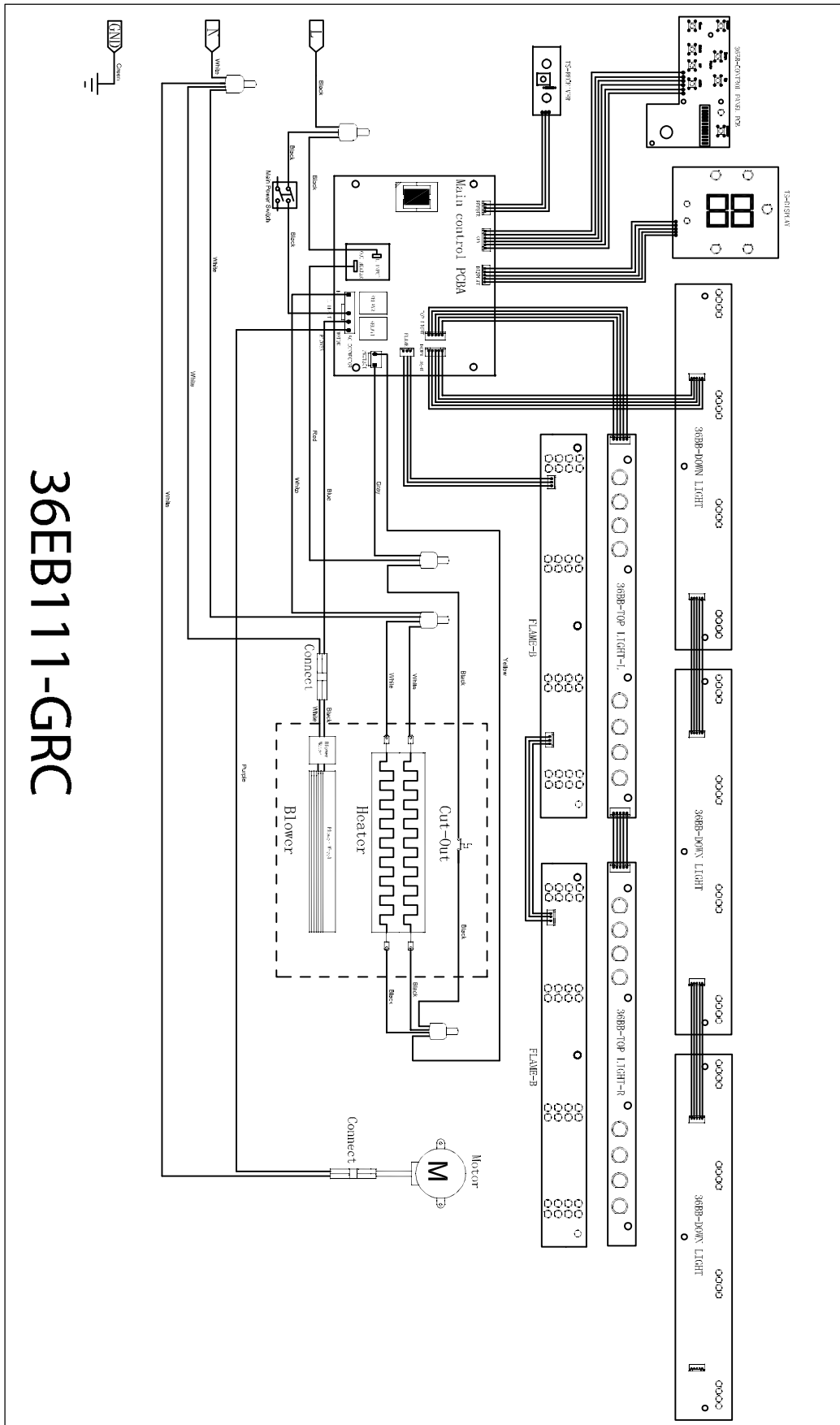
- 1.) Recheck that all the wiring works. Check that all connections are tight and correct to the manual.
- 2.) Switch on the power supply to the unit.
- 3.) Press the POWER button on the control box.
- 4.) Using the wall controls test all the functions to ensure they are working correctly.  
If any functions do not work recheck the wiring using sections 4 and 5 of this guide.
- 5.) Use the remote control to operate the unit, check all the functions.
- 6.) Finish wall construction work.



*Caution: When the wiring is complete a thorough "testing cycle" must be performed to check the operation of the unit PRIOR to the wall / area being closed up, tiled, and/or bricked.*







# 36EB111-GRC

