



Heritage Fireplace Cabinet

Assembly and Installation instructions for the HTG-W

Tools Needed

- Power screwdriver with #2 Phillips bit
- Tape Measure

Included in this Kit

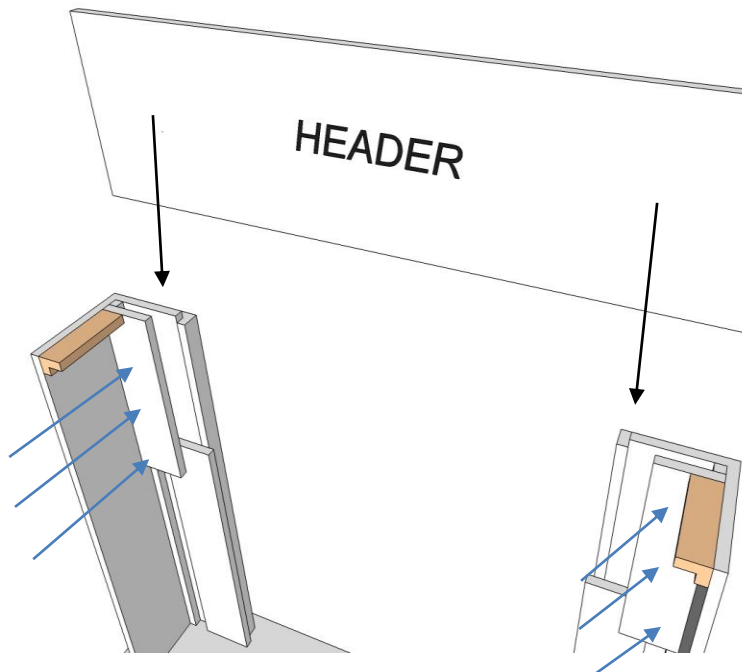
- Mantel pieces-
 - Base
 - Right side assembly
 - Left side assembly
 - Header
 - Top Cap
- Hardware kit
 - 14-1 ¼" Wood screws



Installation Instructions

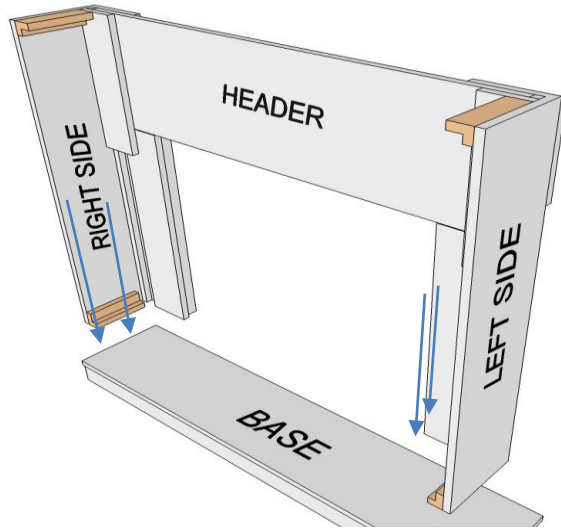
1

Warning: Always use two people to lift the assembled mantle. Lift by legs only to avoid damaging the assembly.



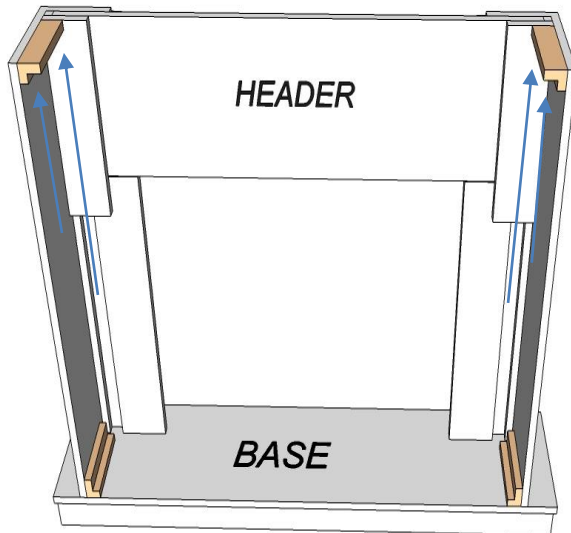
- Stand up **Left and Right Side Assemblies** facing each other and lower **Header** piece into the groove.
- Insert screws at locations shown by the blue arrows to secure.

2



- Center assembled sides and header on base and line up flush to the back side
- Insert screws at locations shown by the blue arrows to secure.

3

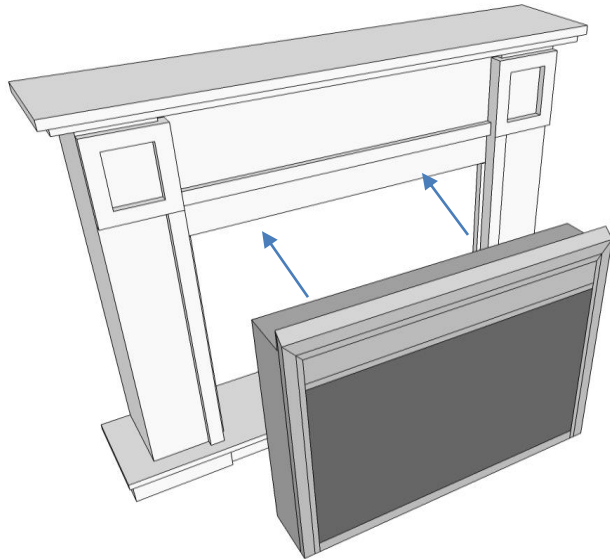


- Set **TOP CAP** onto the assembly.
- Insert screws from underneath at the locations shown to secure.

Electric Fireplace Installation

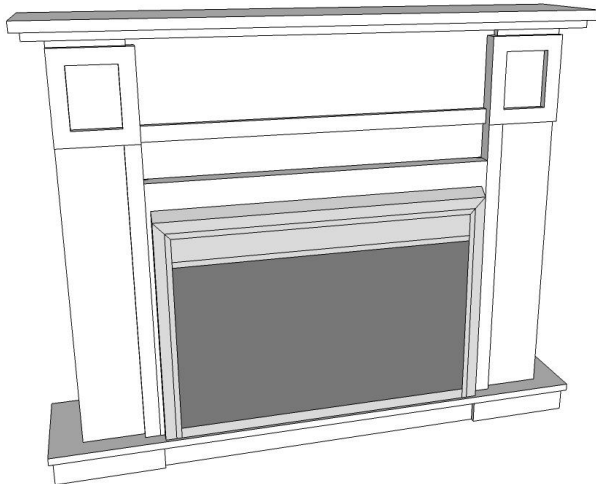
- Read all product documentation included with your electric fireplace before installing.
- Place the mantel and base near your planned installation location. See your fireplace owner's manual for information regarding clearances to combustibles and other safety information.
- Use extreme caution when positioning fireplace. Sharp edges on unit may scratch the wood base.

4



- Carefully slide fireplace (without insert surround installed) partially into the opening, leaving a gap for the insert surround to be positioned.
- **Be very cautious when positioning fireplace unit as the base may scratch easily**

5



- Install front face of the fireplace as instructed in the user manual. The entire assembled unit can now be carefully slid into position in its desired location.



The Outdoor GreatRoom Company Outdoor Products Limited Warranty

The Outdoor GreatRoom Company extends the following warranty for Outdoor GreatRoom outdoor products used in the United States of America or Canada. Dealers and employees of The Outdoor GreatRoom Company have no authority to make any warranty or authorize any remedies in addition to or inconsistent with the terms of this warranty. This warranty gives you specific legal rights. You may also have other rights that vary from state to state.

The Outdoor GreatRoom Company warrants that this Outdoor GreatRoom Outdoor Product (the "Product") will be free from defects in material and workmanship for a period of one year from its date of purchase. Stainless steel parts and assemblies carry a limited lifetime warranty. This warranty is subject to the conditions, exclusions and limitations described below.

This warranty applies only to the original owner of the Product and is non-transferable. The Outdoor GreatRoom Company obligation under this warranty does not extend to damages resulting from (1) assembly, operation or maintenance of the Product not in accordance with the Installation/Assembly Instructions, Operating Instructions and the Listing Agency Identification Label furnished with the Product; (2) installation or use which does not comply with local building codes and ordinances; (3) shipping, improper handling, improper operation, abuse, misuse, accident or unworkmanlike repairs; (4) use of fuels other than those specified in the Operating

Instructions; (5) Installation or use of components not supplied with the Product or any other components not expressly authorized and approved in writing by The Outdoor GreatRoom Company; and/or (6) modification of the Product not expressly authorized and approved in writing by The Outdoor GreatRoom Company. Any of the circumstances described in the previous sentence voids this warranty. This warranty is void if the Product or any component has been removed, repaired, or replaced before The Outdoor GreatRoom Company has been afforded a reasonable opportunity to inspect the Product.

This warranty is limited to the replacement or repair of defective components or workmanship and The Outdoor GreatRoom Company may fully discharge its obligations under this warranty by repairing or replacing, at its discretion, the defective components. The Outdoor GreatRoom Company will provide replacement parts at no charge and will pay reasonable and necessary labor and freight costs related to replacing or repairing defective components under this warranty. The maximum amount recoverable under this warranty is limited to the purchase price of the Product and, if The Outdoor GreatRoom Company is unable to provide replacement or repair in an expedient and cost-effective manner, The Outdoor GreatRoom Company may discharge all obligations under this warranty by refunding the purchase price of the Product.

EXCEPT TO THE EXTENT PROVIDED BY LAW, THE OUTDOOR GREATROOM COMPANY MAKES NO EXPRESS WARRANTIES OTHER THAN THE WARRANTY EXPRESSED HEREIN. THE DURATION OF ANY IMPLIED WARRANTY IS LIMITED TO THE DURATION OF THE WARRANTY SPECIFIED ABOVE. IN NO EVENT SHALL THE OUTDOOR GREATROOM COMPANY BE LIABLE FOR ANY INCIDENTAL OR CONSEQUENTIAL DAMAGES CAUSED BY DEFECTS IN THE PRODUCT. Some states do not allow limitations on how long an implied warranty lasts, or do not allow exclusion or limitation of incidental or consequential damages, so these limitations may not apply to you.

To obtain service under this warranty, you must:

1. Send written notice of the claimed condition to: The Outdoor GreatRoom Company, 2015 Silver Bell Road, #195, Eagan, MN 55122.
2. Affirm that you are the original owner of the Product.
3. Provide The Outdoor GreatRoom Company reasonable opportunity to investigate the claim, including reasonable opportunity to inspect the Product prior to any repair or replacement work and before the Product or any component of the Product has been removed.