

PARTS AND SERVICE MANUAL

FOR

DIMPLEX PURIFIRE ELECTRIC STOVE
Model TDS8515T

Dimplex®

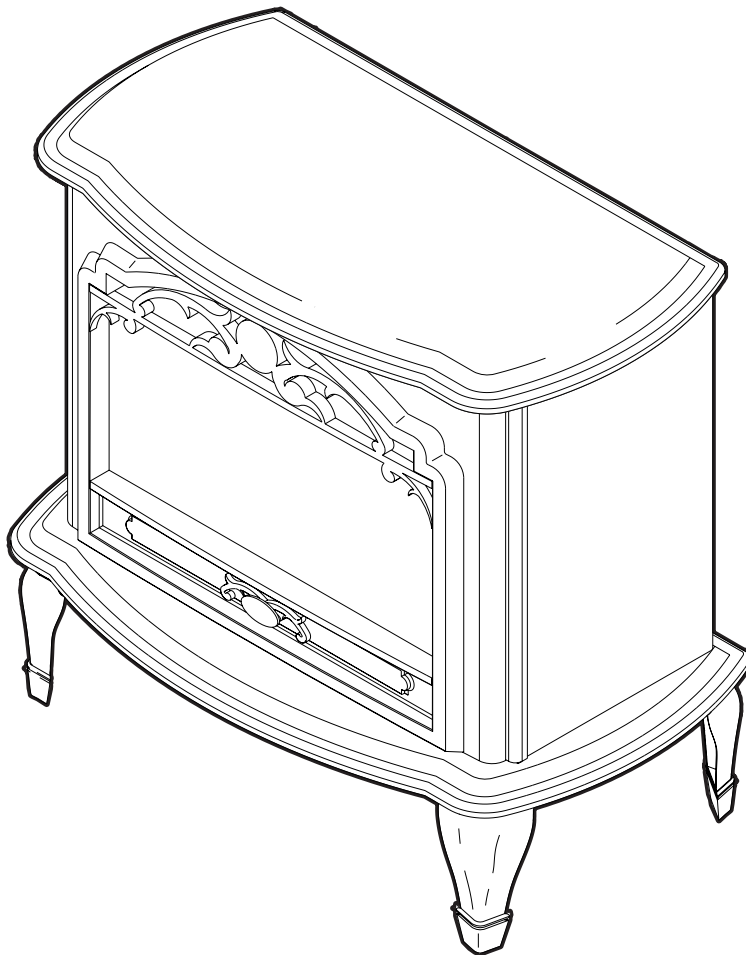




TABLE OF CONTENTS

OPERATION	PAGE 2
PARTS DRAWING	PAGE 5
PARTS LIST	PAGE 6
UPPER LIGHT BULB REPLACEMENT	PAGE 7
LOWER LIGHT BULB REPLACEMENT	PAGE 8
FILTER REPLACEMENT	PAGE 9
MAIN ON/OFF SWITCH REPLACEMENT	PAGE 10
MANUAL SELECTION SWITCH REPLACEMENT	PAGE 10
UPPER LIGHT ON/OFF SWITCH REPLACEMENT	PAGE 10
HEATER ASSEMBLY REPLACEMENT	PAGE 11
CIRCUIT BOARD REPLACEMENT	PAGE 12
FLAME MOTOR/FLAME ROD REPLACEMENT	PAGE 13
POWER CORD REPLACEMENT	PAGE 14
THERMOSTAT REPLACEMENT	PAGE 15

OPERATION

To access the controls, go to the back of the stove.

A. MAIN POWER ON/OFF SWITCH

The main on/off switch supplies power to all unit functions (flame, purifire, heater).

B. MANUAL SELECTION SWITCH

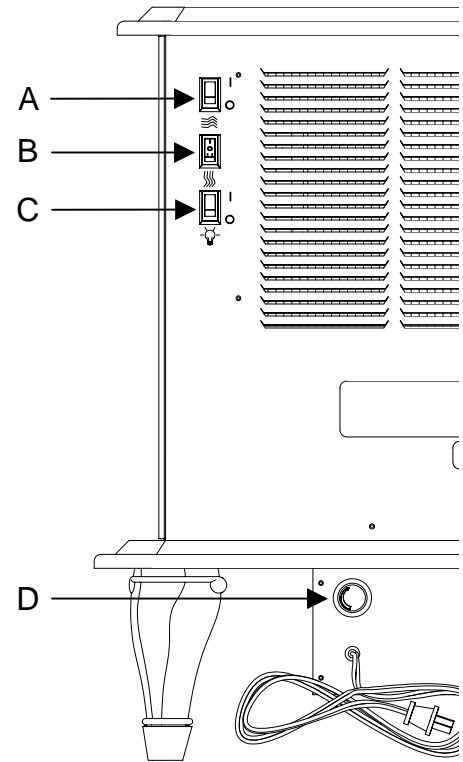
To choose between flame effect setting, flame effect with Purifire™ setting, and flame effect with Purifire™ and heat setting.

C. INTERIOR LIGHT ON/OFF SWITCH

The interior light on/off switch supplies power to the interior light.

D. HEATER THERMOSTAT CONTROL

To adjust the temperature to your individual requirements, turn the thermostat control clockwise all the way to turn on the heater. When the room reaches the desired temperature, turn the thermostat knob counter clockwise until you hear a click. Leave in this position to maintain the room temperature at this setting. For additional heat, turn clockwise until you hear the click again and the heater will turn on.



RESETTING THE TEMPERATURE CUTOFF SWITCH

Should the heater overheat, an automatic cut out will turn the heater off and it will not come back on without being reset. It can be reset by switching the MAIN ON/OFF SWITCH to OFF and waiting 5 minutes before switching the unit back on.

CAUTION

If you need to continuously reset the heater, unplug the unit and call Dimplex technical support at 1-888-DIMPLEX (1-888-346-7539) Extension 4.

NOTE

The heater may emit a slight, harmless odor when first used. This odor is a normal condition caused by initial heating of internal heater parts and will not occur again.

REMOTE CONTROL USAGE

This stove is supplied with a radio frequency remote control. This remote control has a range of approximately 50 feet (15.25m), it does not have to be pointed at the fireplace and can pass through most obstacles (including walls). It is supplied with one of 243 independent frequencies to prevent interference with other units. The frequency code is indicated on the back of the transmitter.

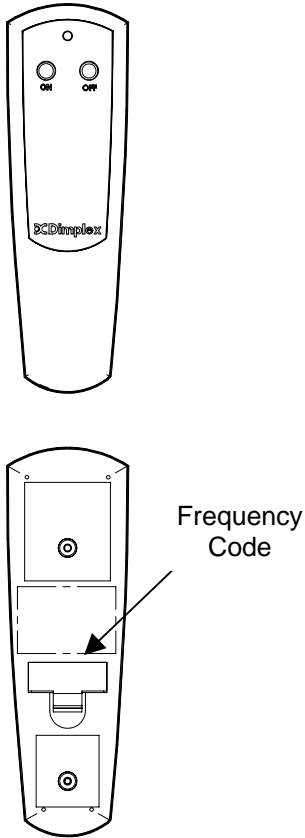


FIGURE 2

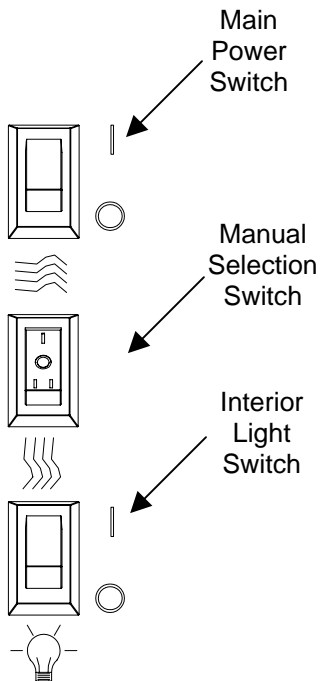


FIGURE 3

A. Remote Control Initialization

This procedure is required every time there is a loss of power to the remote control in the fireplace. (i.e. power failure, breaker tripped, main power switch is turned off)

1. Ensure that power is supplied through main service panel.
2. Locate manual controls. (refer to FIGURE 3)
3. Activate main power switch, (“—” position) red indicator light 1 will flash.
4. Press and hold the manual selection switch for five seconds (“—” position) UNTIL the second red indicator light flashes.
5. Press ON button located on the remote control transmitter (FIGURE 2). This will synchronize the remote control transmitter and receiver.

B. Remote Control Usage

The remote control operates the fireplace levels sequentially. The level is increased every time the ON button on the transmitter is pressed. The fireplace can be turned off at any point by pressing the OFF button on the remote control transmitter.

- Level 1: The flame effect is turned on and the first red indicator light is activated.
- Level 2: The flame effect remains on, the Purifire™ is activated, and the first and second red indicator lights are activated.
- Level 3: The flame effect and Purifire™ remain on, the heater is activated, and all three red indicator lights are activated.

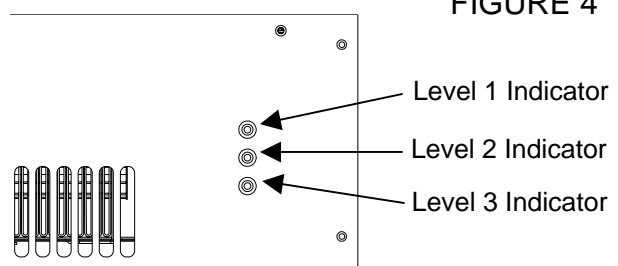


FIGURE 4

MANUAL SELECTION SWITCH

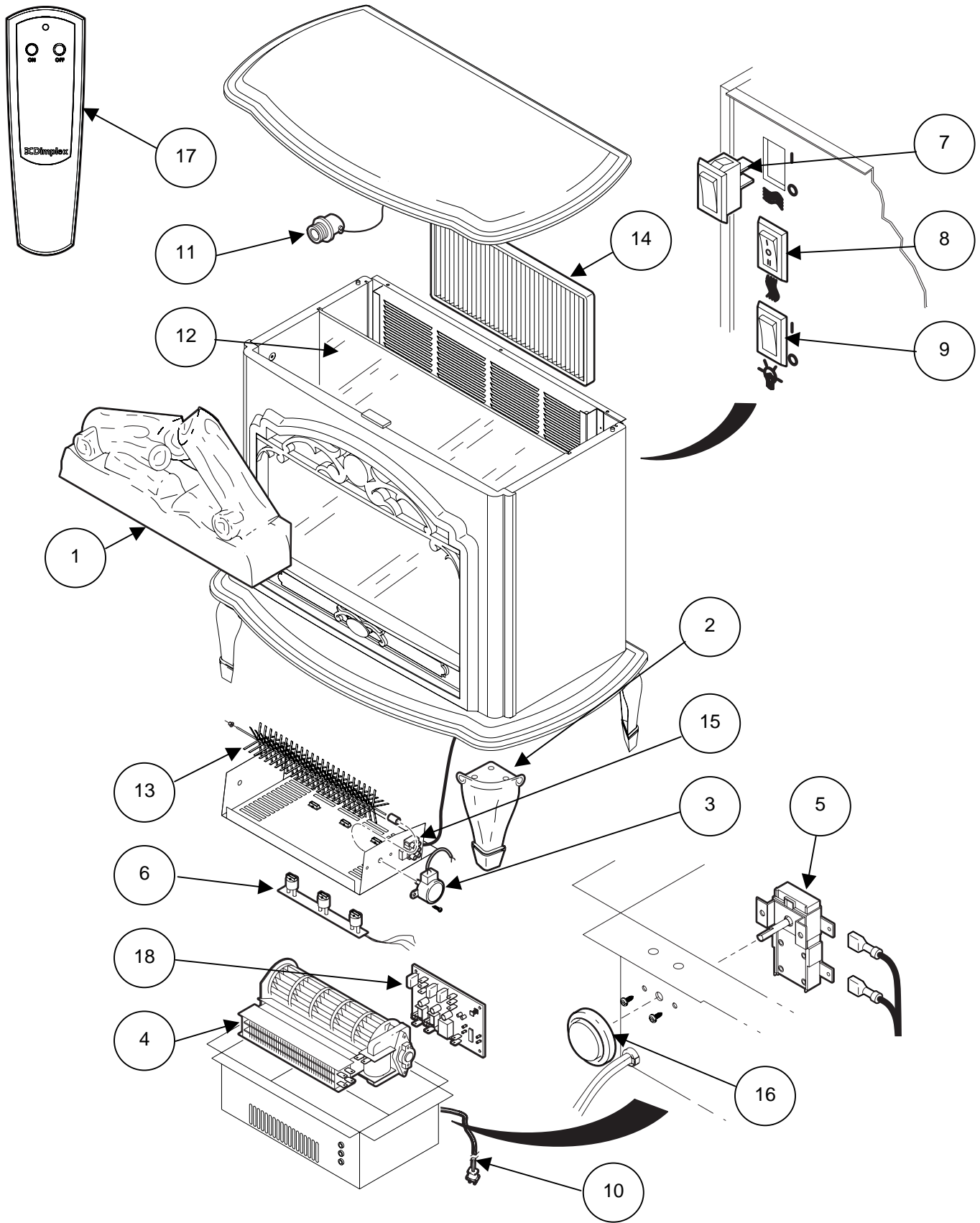
Operates the electric fireplace in the same manner as the remote control transmitter. Pressing the switch up (“ I ” position) has the same effect as the ON button on the remote control and pressing the switch down (“ II ” position) has the same effect as the OFF button of the remote control. Pressing the switch up once activates Level 1, twice activates Level 2, three times activates Level 3. Pressing the switch down turns the electric fireplace OFF.

Level 1: The flame effect is turned on and the first red indicator light flashes momentarily.

Level 2: The flame effect remains on, the heater is activated to the low heat setting, and the first and second red indicator lights flash momentarily.

Level 3: The flame effect remains on, the heater is set to the high heat setting, and all three red indicators flash momentarily.

TDS8515



TDS8515

REPLACEMENT PARTS

STOVE, ELECTRIC 23", PURIFIRE

CATALOGUE NO.

DS7420

PART NO.

69004712**

MOD LEVEL:

NONE

MADE IN:

CHINA

REPLACEMENT PART

REPLACEMENT PART NO.

1. LOG SET	0438200200RP
2. FOOT	0438210104RP
3. FLAME MOTOR	2000210100RP
4. HEATER ASSEMBLY	2000230100RP
5. THERMOSTAT	2300150100RP
6. LOWER LIGHT HARNESS	2500280100RP
7. ON/OFF SWITCH	2800070500RP
8. HEATER ON/OFF SWITCH	2800070200RP
9. UPPER LIGHT ON/OFF SWITCH	2800070200RP
10. CORD SET	4100040300RP
11. UPPER LIGHT HARNESS	4200120400RP
12. MIRROR	5900060600RP
13. REFLECTOR ASSEMBLY	5900080600RP
14. FILTER	0439060100RP
15. TERMINAL BLOCK	4000070100RP
16. KNOB CONTROL	8800000300RP
17. REMOTE TRANSMITTER	3000370300RP
18. REMOTE RECEIVER (3-STAGE)	3000431100RP

** = Colour code

TDS8515T

If unit was operating prior to servicing allow at least 10 minutes for light bulbs and heating element to cool off to avoid accidental burning of skin.

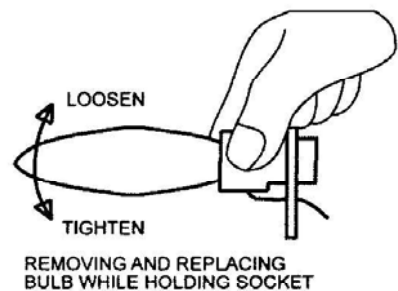
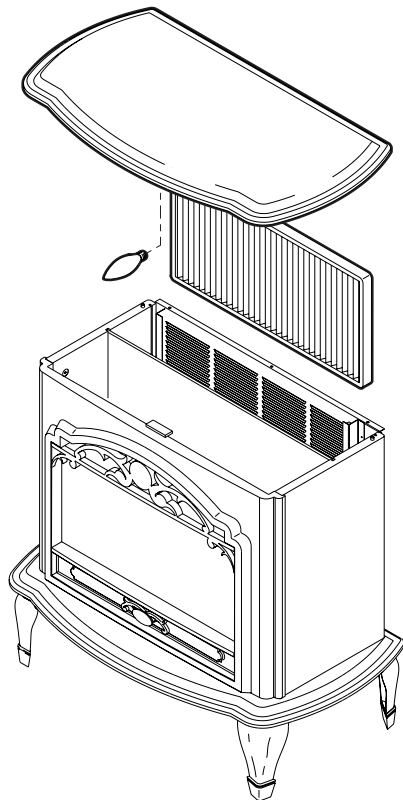
Disconnect power before attempting any maintenance or cleaning to reduce the risk of electric shock or damage to persons.

Light bulbs need to be replaced when you notice a dark section of the flame. There are four bulbs under the log set which generate the flames and embers.

It is a good idea to replace all of the light bulbs at one time if they are close to the end of their rated life. Group replacement will reduce the number of times you need to open the unit to replace the light bulbs.

UPPER LIGHT BULB REPLACEMENT

1. Remove the 2 screws at the upper corners of the back panel.
2. lift the back end of the top to clear the brackets and pull back. Lift top carefully and place to the side of the stove.
3. Caution should be taken as the top mounting brackets may scratch the finish.
4. Hold the socket while unscrewing the bulb.
5. Hold the socket while screwing in the new bulb.
6. Re-install the top of the stove.



LIGHT BULB REQUIREMENTS

Quantity of 1 clear chandelier or candelabra bulbs with an E-12 (small) socket base, 15 watt rating.

TDS8515T

If unit was operating prior to servicing allow at least 10 minutes for light bulbs and heating element to cool off to avoid accidental burning of skin.

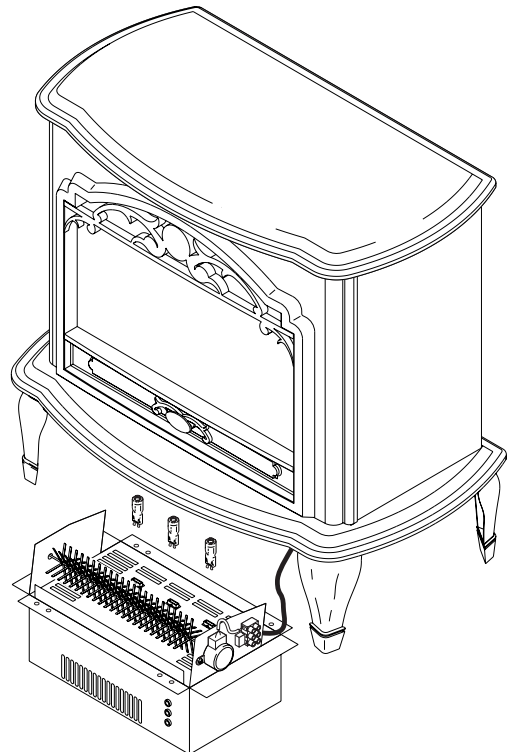
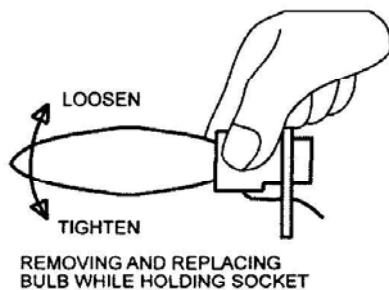
Disconnect power before attempting any maintenance or cleaning to reduce the risk of electric shock or damage to persons.

Light bulbs need to be replaced when you notice a dark section of the flame. There are four bulbs under the log set which generate the flames and embers.

It is a good idea to replace all of the light bulbs at one time if they are close to the end of their rated life. Group replacement will reduce the number of times you need to open the unit to replace the light bulbs.

LOWER LIGHT BULB REPLACEMENT

1. Gently place stove on it's back on a flat surface.
2. Remove the thermostat knob.
3. Remove the heater cover retaining screws located on the bottom of the stove and lower heater/light assembly onto the floor.
4. Remove the burnt out bulbs by pulling straight out of the socket. If bulbs are difficult to remove from socket, move bulb from side to side while pulling, being careful not to damage the light socket.
5. Replace lower light bulbs
6. Caution should be taken not to touch the glass portion of the new halogen bulbs. Doing so may lead to shorter bulb life.
7. Reassemble in the reverse order as above.



LIGHT BULB REQUIREMENTS

Quantity of 3 -35 watt Halogen Quartz lamps, 120 volt, G9 base

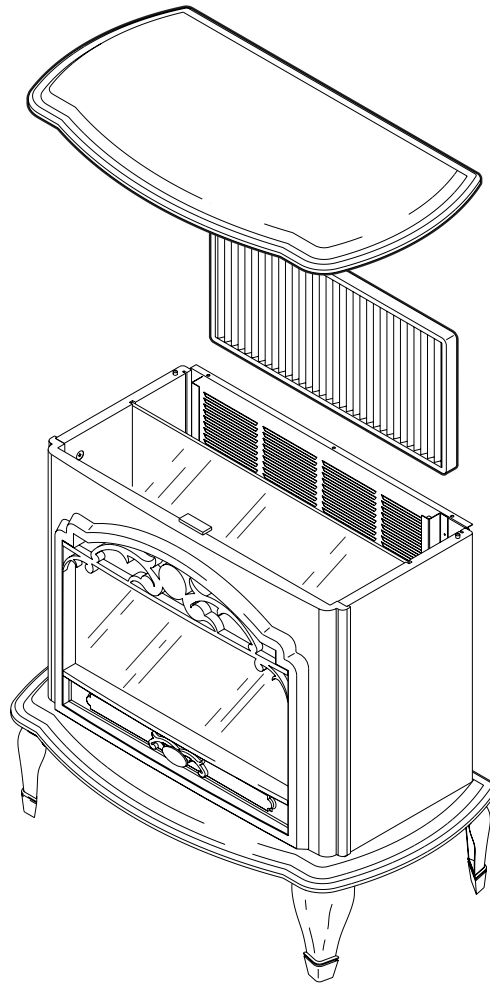
TDS8515T

If unit was operating prior to servicing allow at least 10 minutes for light bulbs and heating element to cool off to avoid accidental burning of skin.

Disconnect power before attempting any maintenance or cleaning to reduce the risk of electric shock or damage to persons.

TO REPLACE THE FILTER

1. Remove the 2 screws at the upper corners of the back panel.
2. lift the back end of the top to clear the brackets and pull back. Lift top carefully and place to the side of the stove.
3. Caution should be taken as the top mounting brackets may scratch the finish.
4. Remove the old filter and replace with new filter.
5. Reassemble in the reverse order as above.



TDS8515T

If unit was operating prior to servicing allow at least 10 minutes for light bulbs and heating element to cool off to avoid accidental burning of skin.

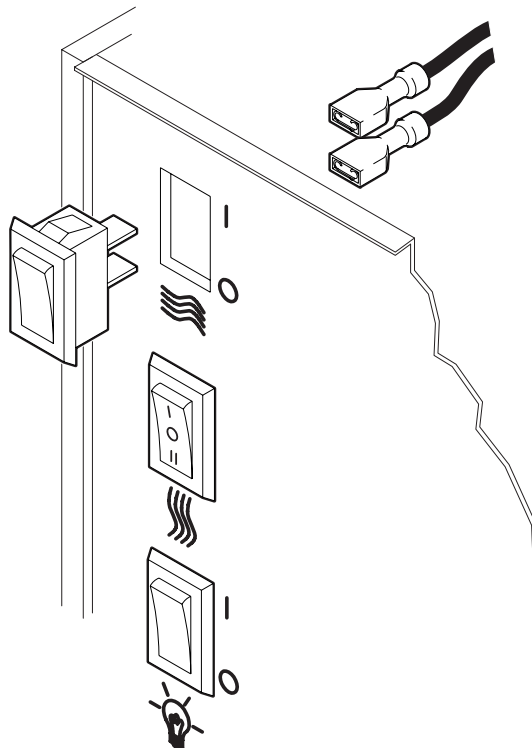
Disconnect power before attempting any maintenance or cleaning to reduce the risk of electric shock or damage to persons.

Light bulbs need to be replaced when you notice a dark section of the flame. There are four bulbs under the log set which generate the flames and embers.

It is a good idea to replace all of the light bulbs at one time if they are close to the end of their rated life. Group replacement will reduce the number of times you need to open the unit to replace the light bulbs.

TO REPLACE MAIN POWER, MANUAL SELECTION, AND LIGHT SWITCHES

1. Remove the 2 screws at the upper corners of the back panel.
2. lift the back end of the top to clear the brackets and pull back. Lift top carefully and place to the side of the stove.
3. caution should be taken as the top mounting brackets may scratch the finish.
4. Locate the switch to be replaced.
5. Remove the wiring clips and connection noting their original locations
6. Depress the retainer clips on the rear of the switch and push the switch out of the rear of the stove.
7. Re-install the top of the stove.



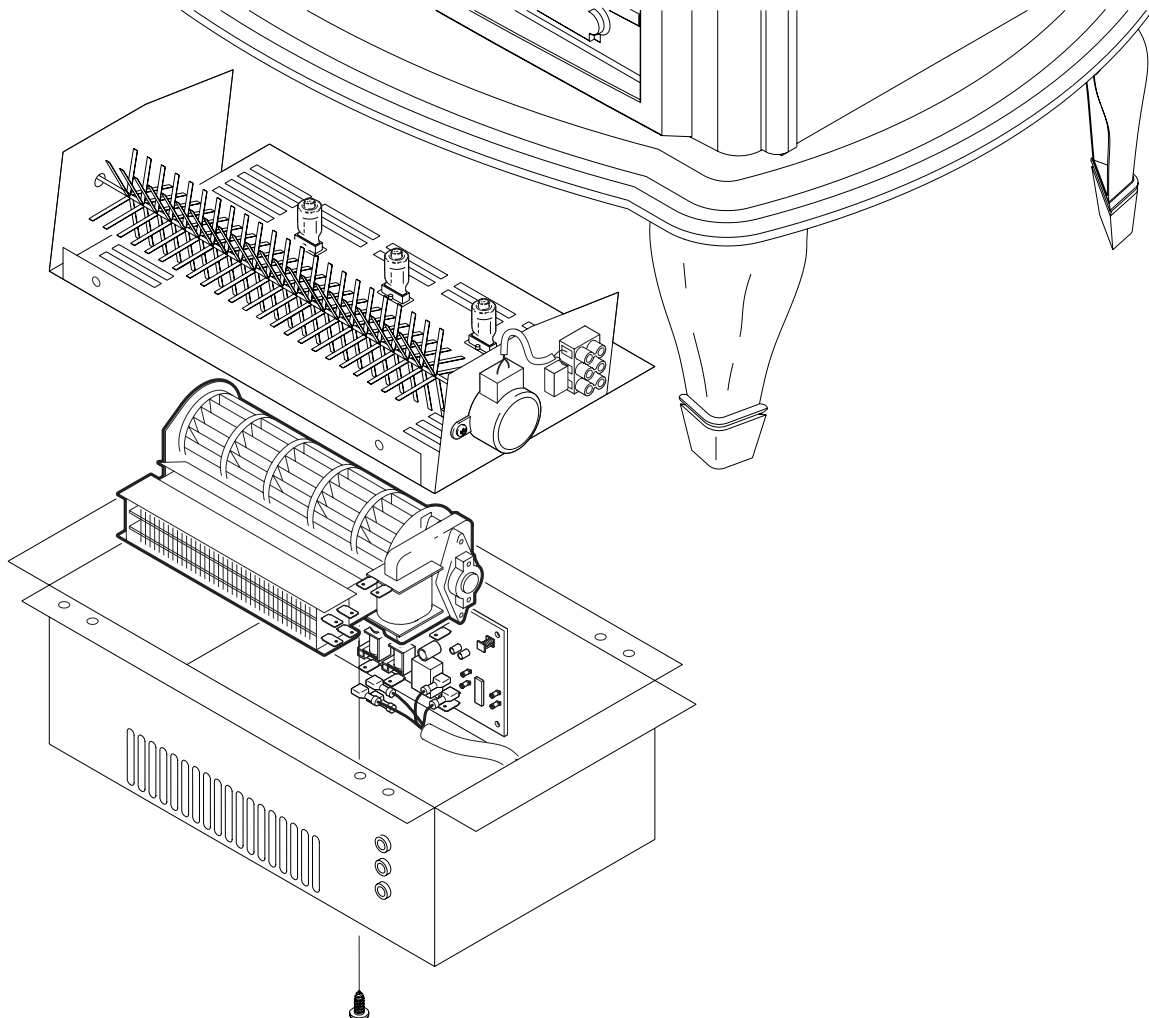
TDS8515T

If unit was operating prior to servicing allow at least 10 minutes for light bulbs and heating element to cool off to avoid accidental burning of skin.

Disconnect power before attempting any maintenance or cleaning to reduce the risk of electric shock or damage to persons.

TO REPLACE THE HEATER ASSEMBLY

1. Gently place stove on it's back on a flat surface.
2. Remove the thermostat knob.
3. Remove the heater cover retaining screws located on the bottom of the stove and lower heater/light assembly onto the floor.
4. Remove the reflector rod and motor assembly by removing the screws on the front and rear of the heater cover.
5. Remove the heater retaining screws form the bottom of the heater cover.
6. Disconnect the wiring clips and connections noting their original locations.
7. reassemble in the reverse order as above.



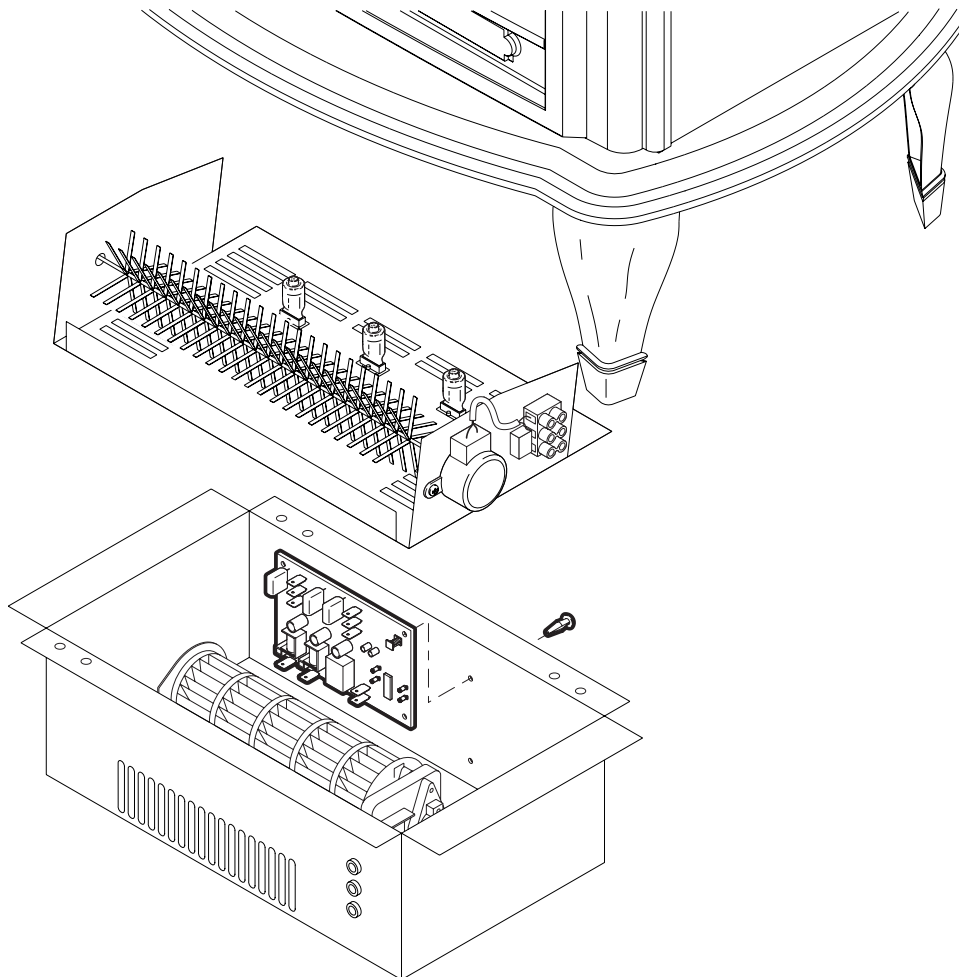
TDS8515T

If unit was operating prior to servicing allow at least 10 minutes for light bulbs and heating element to cool off to avoid accidental burning of skin.

Disconnect power before attempting any maintenance or cleaning to reduce the risk of electric shock or damage to persons.

TO REPLACE THE CIRCUIT BOARD

1. Gently place stove on it's back on a flat surface.
2. Remove the thermostat knob.
3. Remove the heater cover retaining screws located on the bottom of the stove and lower heater/light assembly onto the floor.
4. Remove the reflector rod and motor assembly by removing the screws on the front and rear of the heater cover.
5. Disconnect the wiring clips and connections from the circuit board, noting their original locations.
6. From inside the fireplace, break off the six mounting studs on the circuit board by grasping with pliers and twisting on the protruding part of the stud, push the remainder of the studs out through the top panel.
7. **NOTE:** New mounting studs are supplied with the replacement circuit board.
8. Properly orientate the new circuit board and connect all of the wiring connections



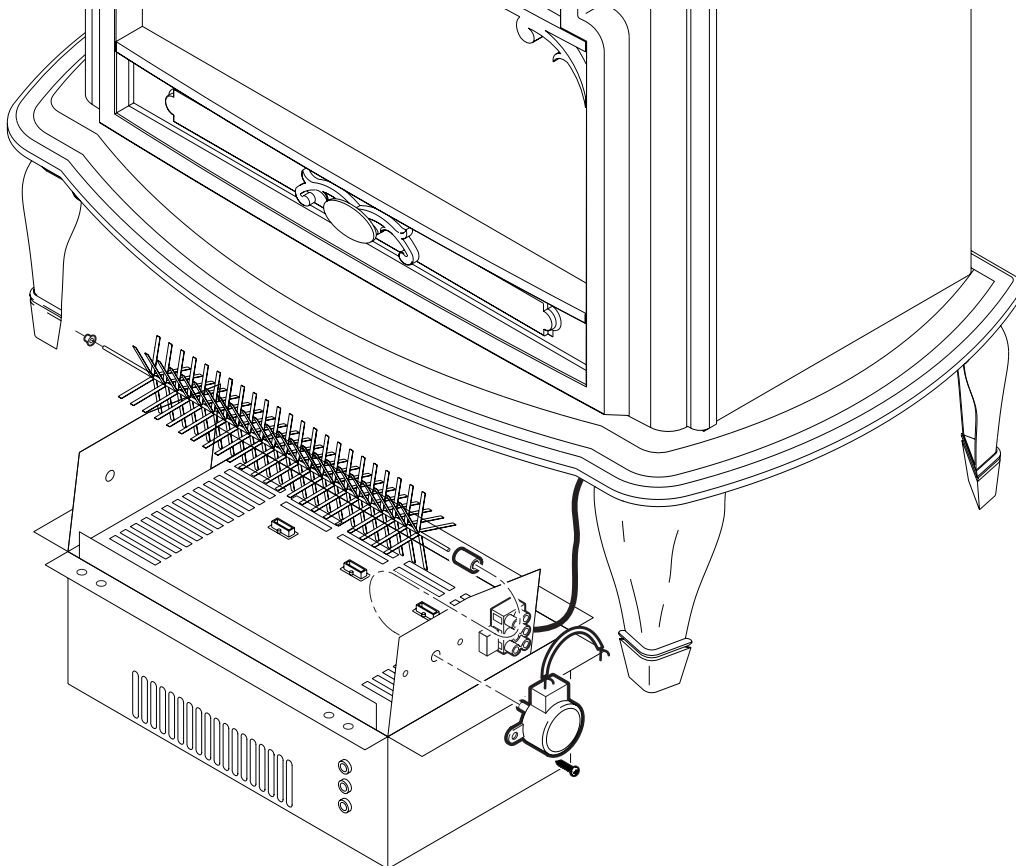
TDS8515T

If unit was operating prior to servicing allow at least 10 minutes for light bulbs and heating element to cool off to avoid accidental burning of skin.

Disconnect power before attempting any maintenance or cleaning to reduce the risk of electric shock or damage to persons.

TO REPLACE FLAME MOTOR/FLAME ROD

1. Gently place stove on it's back on a flat surface.
2. Remove the thermostat knob.
3. Remove the heater cover retaining screws located on the bottom of the stove and lower heater/light assembly onto the floor.
4. Remove the reflector rod from the flame motor by pulling the end of the rod to the left and separating it from the rubber sleeve.
5. Remove the rubber sleeve from the motor shaft.
6. Remove the 2 motor mounting screws and remove the flame motor.
7. Discard the old flame motor.
8. Lay the stove on its back with the front window facing upward.
9. Remove the bottom heater assembly cover being careful not to damage any of the wiring and lay it on the floor.
10. Loosen the flame motor connections on the terminal block and remove the wires noting their original locations.
11. Reassemble in the reverse order.



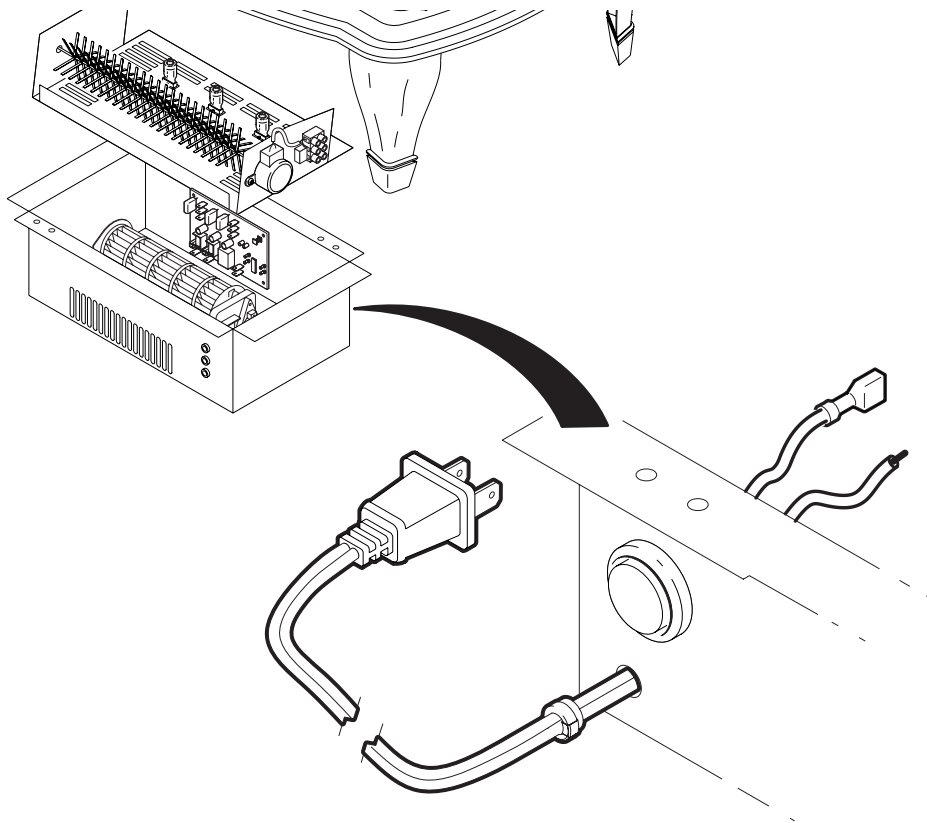
TDS8515T

If unit was operating prior to servicing allow at least 10 minutes for light bulbs and heating element to cool off to avoid accidental burning of skin.

Disconnect power before attempting any maintenance or cleaning to reduce the risk of electric shock or damage to persons.

TO REPLACE THE POWER CORD

1. Gently place stove on it's back on a flat surface.
2. Remove the thermostat knob.
3. Remove the heater cover retaining screws located on the bottom of the stove and lower heater/light assembly onto the floor.
4. Remove the reflector rod and motor assembly by removing the screws on the front and rear of the heater cover.
5. Located and disconnect the power cord wiring connections from the heater and Main on/off switch noting their original locations.
6. With needle nose pliers grasp the power cord strain relief grommet from inside the rear panel and push while twisting to remove.
7. Pull the power cord out through the hole in the rear cover.
8. Install the new cord set through the hole in the rear cover by placing the strain relief over the cord, hold the strain relief with pliers and slide into mounting hole.
9. Connect all of the wiring connections in their original locations.
10. Reassemble in the reverse order as above.



TDS8515T

If unit was operating prior to servicing allow at least 10 minutes for light bulbs and heating element to cool off to avoid accidental burning of skin.

Disconnect power before attempting any maintenance or cleaning to reduce the risk of electric shock or damage to persons.

TO REPLACE THE THERMOSTAT

1. Gently place stove on it's back on a flat surface.
2. Remove the thermostat knob.
3. Remove the heater cover retaining screws located on the bottom of the stove and lower heater/light assembly onto the floor.
4. Remove the reflector rod and motor assembly by removing the screws on the front and rear of the heater cover.
5. Disconnect the wiring clips from the thermostat.
6. Remove the 2 thermostat mounting screws and remove the thermostat.
7. Connect all of the wiring connections to the new thermostat.
8. Reassemble in the reverse order as above.

