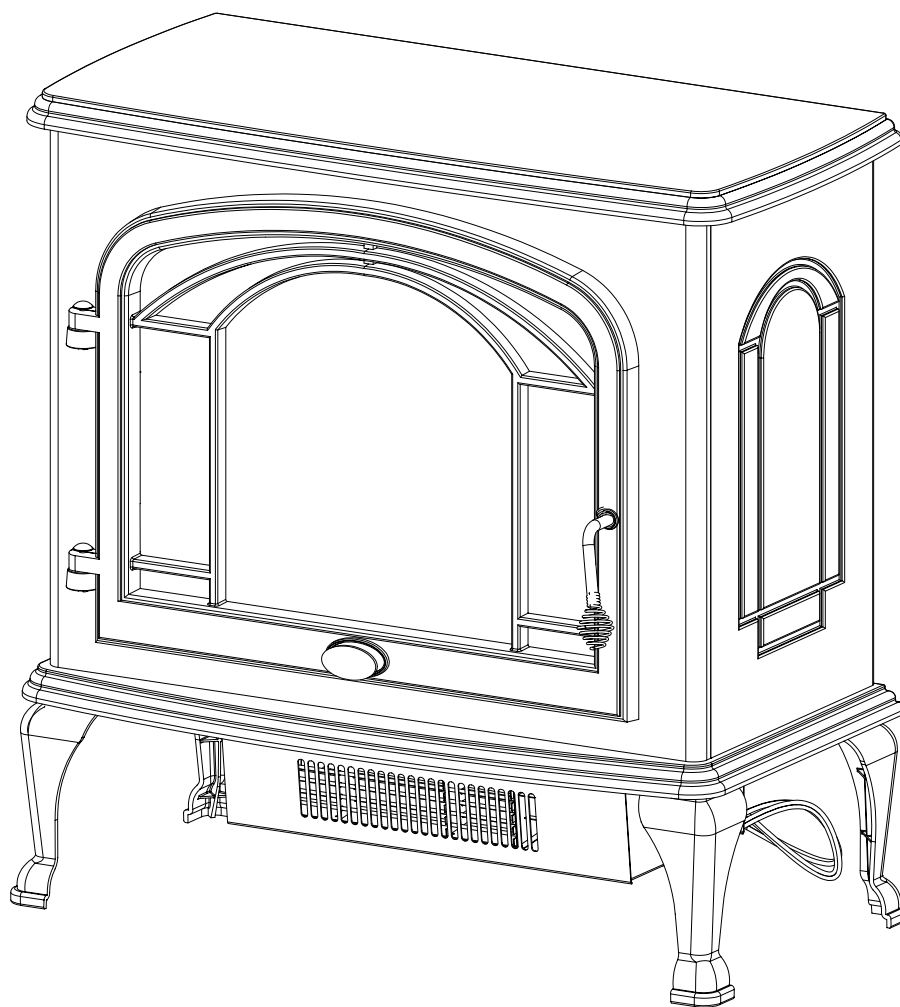


# PARTS AND SERVICE MANUAL

## FOR THE 23" STOVE

MODEL NUMBER:

# DS7420



**Dimplex<sup>®</sup>**

# TABLE OF CONTENTS

<b>OPERATION</b>	<b>PAGE 1</b>
<b>PARTS DRAWING</b>	<b>PAGE 3</b>
<b>PARTS LIST</b>	<b>PAGE 4</b>
<b>WIRING DIAGRAM</b>	<b>PAGE 5</b>
<b>LIGHT BULB REPLACEMENT</b>	<b>PAGE 6</b>
<b>MAIN ON/OFF SWITCH REPLACEMENT</b>	<b>PAGE 8</b>
<b>LIGHT DIMMER SWITCH REPLACEMENT</b>	<b>PAGE 9</b>
<b>FLAME MOTOR/FLAME ROD REPLACEMENT</b>	<b>PAGE 10</b>
<b>HEATER ON/OFF SWITCH REPLACEMENT</b>	<b>PAGE 11</b>
<b>HEATER THERMOSTAT CONTROL REPLACEMENT</b>	<b>PAGE 12</b>
<b>HEATER ASSEMBLY REPLACEMENT</b>	<b>PAGE 13</b>
<b>POWER CORD REPLACEMENT</b>	<b>PAGE 14</b>

**NOTE**

A 15amp, 120 volt circuit is required. A dedicated circuit is preferred but not essential in all cases. A dedicated circuit will be required if, after installation, the circuit breaker trips or fuse blows on a regular basis when the heater is operating. Additional appliances on the same circuit may exceed the current rating of the circuit breaker.

**WARNING**

Ensure the power cord is not installed so that it is pinched or against a sharp edge and ensure that the power cord is stored or secured to avoid tripping or snagging to reduce the risk of fire, electric shock or injury to persons.

Construction and electrical outlet wiring must comply with local building codes and other applicable regulations to reduce the risk of fire, electric shock and injury to persons.

Do not attempt to wire your own new outlets or circuits. To reduce the risk of fire, electric shock or injury to persons, always use a licensed electrician.

**STOVE INSTALLATION**

1. Make sure the units MAIN ON/OFF switch is switched OFF (refer to operating instruction section).
2. Plug the unit into a 15Amp/120volt outlet. If the cord does not reach, you may use an extension cord rated for a minimum of 1875 watts.

**OPERATION**

To access the controls, go to the back of the stove.

**A. MAIN POWER ON/OFF SWITCH**

The main power on/off switch supplies power to all stove functions (heater & flame).

**B. TOP LIGHT ON/OFF SWITCH**

Controls the light intensity of the log bed display area.

**C. HEATER ON/OFF SWITCH**

The heater on off switch supplies power to the heater.

**D. HEATER THERMOSTAT CONTROL**

To adjust the temperature to your individual requirements, turn the thermostat control clockwise all the way to turn on the heater. When the room reaches the desired temperature, turn the thermostat knob counter clockwise until you hear a click. Leave in this position to maintain the room temperature at this setting. For additional heat, turn clockwise until you hear the click again and the heater will turn on.

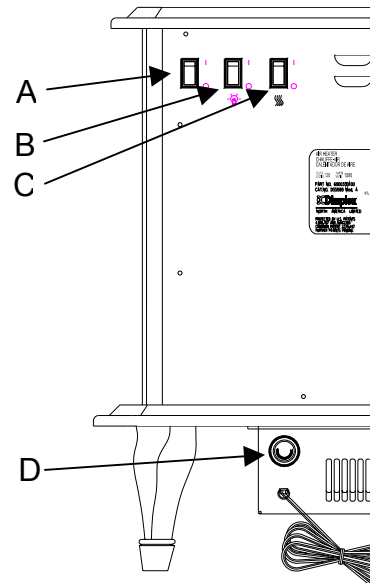


FIGURE 1

**RESETTING THE TEMPERATURE CUTOFF SWITCH**

Should the heater overheat, an automatic cut out will turn the heater off and it will not come back on without being reset. It can be reset by switching the MAIN ON/OFF SWITCH to OFF and waiting 5 minutes before switching the unit back on.

**CAUTION**

If you need to continuously reset the heater, unplug the unit and call Dimplex North America Limited at 1-800-668-6663.

## REMOTE CONTROL

The remote control has a range of approximately 50ft. (15.25m) it does not have to be pointed at the fireplace and can pass through most obstacles (including walls). It is supplied with one of 243 independent frequencies to prevent interference with other units. The frequency designation is indicated on the back of the transmitter (FIGURE 3)

### REMOTE CONTROL INSTALLATION

1. Plug fireplace cordset into the outlet located on the side of the receiver. (FIGURE 2)
2. Plug receiver into the wall outlet.
3. Install a 9 volt battery into the transmitter. (FIGURE 3)

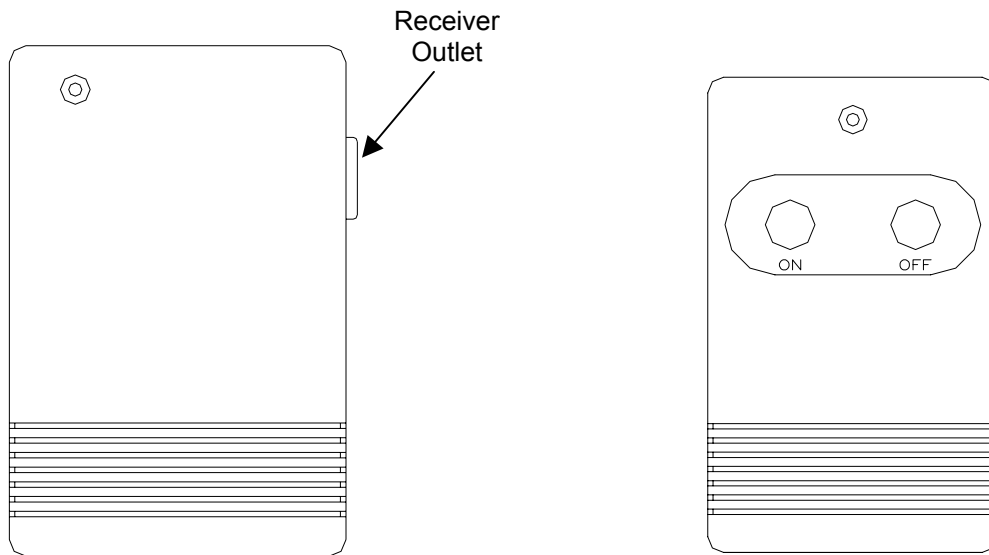


FIGURE 2

#### NOTE

- Fireplace MAIN on/off switch must be in the ON position prior to using the Remote Control.
- ON/OFF Remote Control may be used to control most other electrical devices including T.V.'s, stereos and lamps.

#### CAUTION

- For indoor use in dry areas only
- For use on electrical devices with 15 amp resistive load or 1/3 HP inductive load
- 120 volt AC only

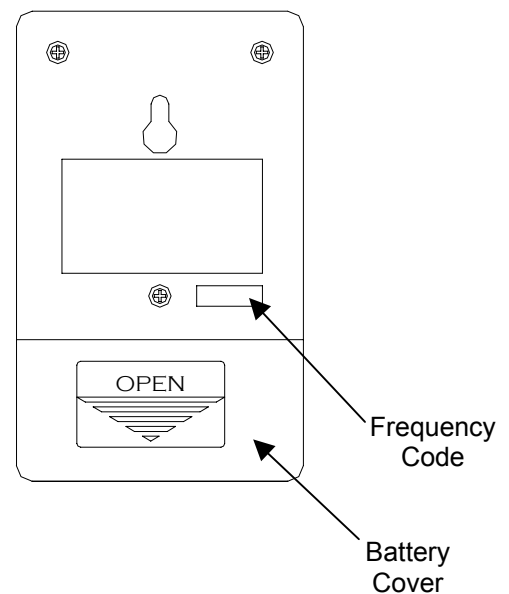
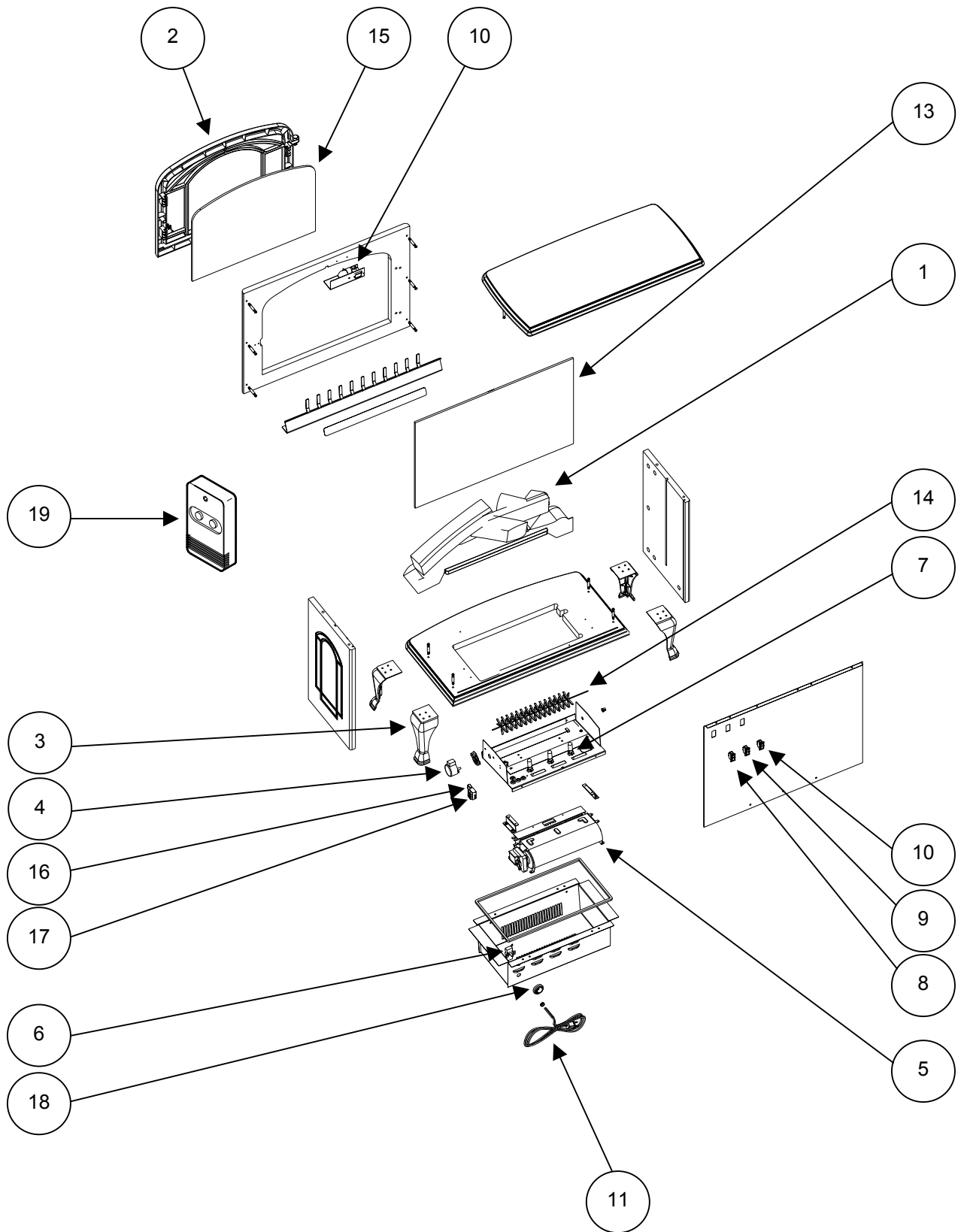


FIGURE 3



DS7420

## REPLACEMENT PARTS

STOVE, ELECTRIC 23"

**CATALOGUE NO.**  
**PART NO.**  
**MOD LEVEL:**  
**MADE IN:**

**DS7420**  
**6900470759**  
**MOD. D**  
**CHINA**

### REPLACEMENT PART

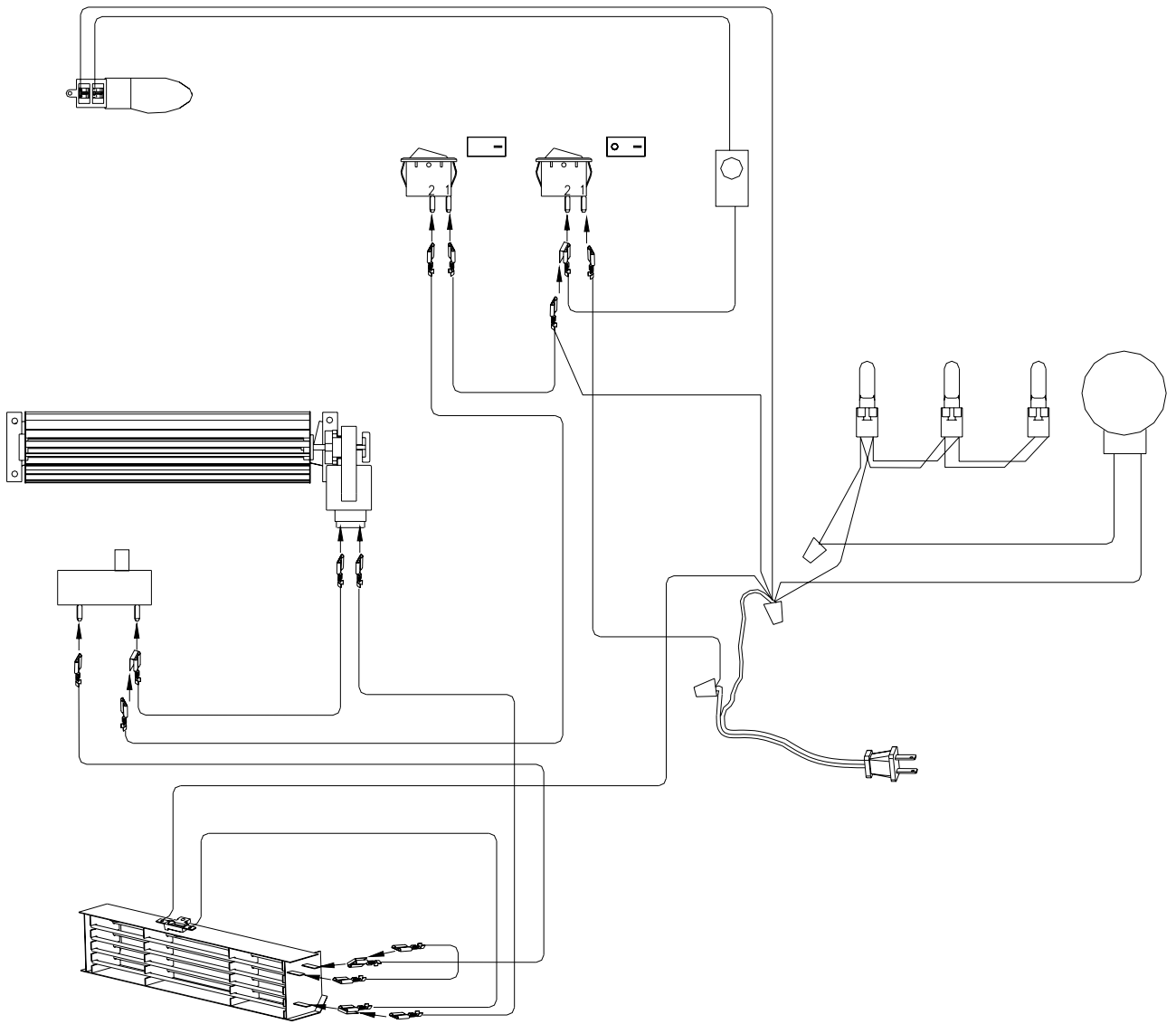
1. LOG SET
2. DOOR
3. FOOT
4. FLAME MOTOR
5. HEATER ASSEMBLY
6. THERMOSTAT
7. LOWER LIGHT HARNESS
8. ON/OFF SWITCH
9. HEATER ON/OFF SWITCH
10. UPPER LIGHT ON/OFF SWITCH
11. CORD SET
12. UPPER LIGHT HARNESS
13. MIRROR
14. REFLECTOR ASSEMBLY
15. FRONT GLASS
16. CAPACITOR
17. TERMINAL BLOCK
18. KNOB CONTROL
19. REMOTE CONTROL

### REPLACEMENT PART NO.

0438200200RP  
0438610100RP  
0438680100RP  
2000210200RP  
2200490400RP  
2300150100RP\*  
2500280100RP  
2800070200RP  
2800070200RP  
2800070200RP  
4100040300RP  
4200120400RP  
5900060600RP  
5900080600RP  
5900440100RP  
2300030100RP  
4000070100RP  
8800000300RP  
6800240100RP

DS7420

# WIRING DIAGRAM



## DS7420

If unit was operating prior to servicing allow at least 10 minutes for light bulbs and heating element to cool off to avoid accidental burning of skin.

Disconnect power before attempting any maintenance or cleaning to reduce the risk of electric shock or damage to persons.

Light bulbs need to be replaced when you notice a dark section of the flame or when the clarity and detail of the log exterior disappears. There is one bulb at the top of the opening that illuminates the log set exterior and two bulbs under the log set which generate the flames and embers.

It is a good idea to replace all of the light bulbs at one time if they are close to the end of their rated life. Group replacement will reduce the number of times you need to open the unit to replace the light bulbs.

### **TO REPLACE UPPER LIGHT BULB**

1. Open door by pulling the handle.
2. Locate the upper bulb bracket.
3. Bend light retainer bracket down.
4. Locate and remove the light bulb.
5. Insert new bulb.
6. Bend light retainer bracket back into its original position.
7. Close the door.

### **UPPER LIGHT BULB REQUIREMENTS**

Quantity of 1 clear chandelier or candelabra bulbs with an E-12 (small) socket base, 7 watt rating.

DS7420

If unit was operating prior to servicing allow at least 10 minutes for light bulbs and heating element to cool off to avoid accidental burning of skin.

Disconnect power before attempting any maintenance or cleaning to reduce the risk of electric shock or damage to persons.

Light bulbs need to be replaced when you notice a dark section of the flame or when the clarity and detail of the log exterior disappears. There is one bulb at the top of the opening that illuminates the log set exterior and three bulbs under the log set which generate the flames and embers.

It is a good idea to replace all of the light bulbs at one time if they are close to the end of their rated life. Group replacement will reduce the number of times you need to open the unit to replace the light bulbs.

### **TO REPLACE LOWER LIGHT BULBS**

1. Remove the stove pipe kit (if equipped).
2. Gently place stove on its back on a flat surface.
3. Remove the heater cover retaining screws located on the bottom of the stove and lower heater and light assembly out onto the floor.
4. Remove the burnt out bulb(s) by pulling straight out of socket. If bulbs are difficult to remove form socket move the bulb from side to side while pulling being careful not to damage the light socket.
5. Replace the lower light bulbs.
6. Reassemble in the reverse order as above.

### **LOWER LIGHT BULB REQUIREMENTS**

Quantity of 3 – 35 watt Halogen Quartz lamps, 120 volt, G9 base. **DO NOT EXCEED 35 WATTS PER BULB**

## DS7420

If unit was operating prior to servicing allow at least 10 minutes for light bulbs and heating element to cool off to avoid accidental burning of skin.

Disconnect power before attempting any maintenance or cleaning to reduce the risk of electric shock or damage to persons.

### **TO REPLACE MAIN ON/OFF SWITCH**

1. Remove back panel screws located along the rear of the top panel.
2. Open front door and release the Cams located in the upper corner of both side panels.

#### **NOTE**

To release Cams ensure arrow on Cam is facing up.



3. Remove top panel.
4. Locate the main on/off switch mounted on the rear panel and disconnect the wiring clips and connections noting their original locations.
5. Depress the retainer clips on the rear of the switch and push the switch out of the rear cover.
6. Properly orientate the new switch and connect all of the wiring clips and connections.
7. Reassemble in the reverse order as above.

DS7420

If unit was operating prior to servicing allow at least 10 minutes for light bulbs and heating element to cool off to avoid accidental burning of skin.

Disconnect power before attempting any maintenance or cleaning to reduce the risk of electric shock or damage to persons.

### **TO REPLACE UPPER LIGHT ON/OFF SWITCH**

1. Remove back panel screws located along the rear of the top panel.
2. Open front door and release the Cams located in the upper corner of both side panels.

#### **NOTE**

To release Cams ensure arrow on Cam is facing up.



3. Remove top panel.
4. Locate the upper light on/off switch mounted on the rear panel and disconnect the wiring clips and connections noting their original locations.
5. Depress the retainer clips on the rear of the switch and push the switch out of the rear cover.
6. Properly orientate the new switch and connect all of the wiring clips and connections.
7. Reassemble in the reverse order as above.

DS7420

If unit was operating prior to servicing allow at least 10 minutes for light bulbs and heating element to cool off to avoid accidental burning of skin.

Disconnect power before attempting any maintenance or cleaning to reduce the risk of electric shock or damage to persons.

### **TO REPLACE FLAME MOTOR/FLAME ROD**

1. Gently place stove on its back on a flat surface.
2. Remove the heater cover retaining screws located on the bottom of the stove and lower heater and light assembly out onto the floor.
3. Remove all of the mounting screws on the heater cover and separate the cover from the heater and light assembly.
4. Locate the flame motor and flame rod assembly and remove the wiring clips and connections located by the heater assembly noting their original locations.
5. Remove the flame motor mounting screws and disconnect the flame motor from the flame rod.

**NOTE:** When removing the flame motor some damage may occur to the flame rod. If flame rod is damaged replace to insure proper operation.

6. Reassemble in the reverse order as above.

## DS7420

If unit was operating prior to servicing allow at least 10 minutes for light bulbs and heating element to cool off to avoid accidental burning of skin.

Disconnect power before attempting any maintenance or cleaning to reduce the risk of electric shock or damage to persons.

### **TO REPLACE HEATER ON/OFF SWITCH**

1. Remove back panel screws located along the rear of the top panel.
2. Open front door and release the Cams located in the upper corner of both side panels.

#### **NOTE**

To release Cams ensure arrow on Cam is facing up.



3. Remove top panel.
4. Locate the heater on/off switch mounted on the rear panel and disconnect the wiring clips and connections noting their original locations.
5. Depress the retainer clips on the rear of the switch and push the switch out of the rear cover.
6. Properly orientate the new switch and connect all of the wiring clips and connections.
7. Reassemble in the reverse order as above.

DS7420

If unit was operating prior to servicing allow at least 10 minutes for light bulbs and heating element to cool off to avoid accidental burning of skin.

Disconnect power before attempting any maintenance or cleaning to reduce the risk of electric shock or damage to persons.

### **TO REPLACE HEATER THERMOSTAT CONTROL**

1. Gently place stove on its back on a flat surface.
2. Remove the heater cover retaining screws located on the bottom of the stove and lower heater and light assembly out onto the floor.
3. Remove all of the mounting screws on the heater cover and separate the cover from the heater and light assembly.
4. Locate the thermostat mounted to the heater cover and disconnect the wiring connections noting their original locations.
5. Pull off the thermostat control knob to expose the mounting screws.
6. Remove the mounting screws and remove the heater thermostat control switch.
7. Properly orientate the new heater thermostat control and connect all of the wiring connections.
8. Reassemble in the reverse order as above.

DS7420

If unit was operating prior to servicing allow at least 10 minutes for light bulbs and heating element to cool off to avoid accidental burning of skin.

Disconnect power before attempting any maintenance or cleaning to reduce the risk of electric shock or damage to persons.

### **TO REPLACE HEATER ASSEMBLY**

1. Gently place stove on its back on a flat surface.
2. Remove the heater cover retaining screws located on the bottom of the stove and lower heater and light assembly out onto the floor.
3. Remove all of the mounting screws on the heater cover and separate the cover from the heater and light assembly.
4. Locate the heater assembly and disconnect the wiring connections noting their original locations.
5. Remove heater mounting bracket screws and set aside heater assembly.
6. Properly orientate the new heater assembly and connect all of the wiring clips and connections.
7. Reassemble in the reverse order as above.

DS7420

If unit was operating prior to servicing allow at least 10 minutes for light bulbs and heating element to cool off to avoid accidental burning of skin.

Disconnect power before attempting any maintenance or cleaning to reduce the risk of electric shock or damage to persons.

### **TO REPLACE THE POWER CORD**

1. Gently place stove on its back on a flat surface.
2. Remove the heater cover retaining screws located on the bottom of the stove and lower heater and light assembly out onto the floor.
3. Remove all of the mounting screws on the heater cover and separate the cover from the heater and light assembly.
4. Locate and disconnect the power cord wiring connections noting their original locations.
5. With needle nose pliers grasp the power cord strain relief grommet from inside the heater cover and push while twisting to remove.
6. Pull the power cord out through the hole in the heater cover.
7. Install the new power cord through the hole in the heater cover and connect all of the wiring connections in their original locations.
8. Install the power cord retaining grommet on the power cord and insert into the hole in the heater cover.
9. Reassemble in the reverse order as above.