

# **PARTS & SERVICE MANUAL**

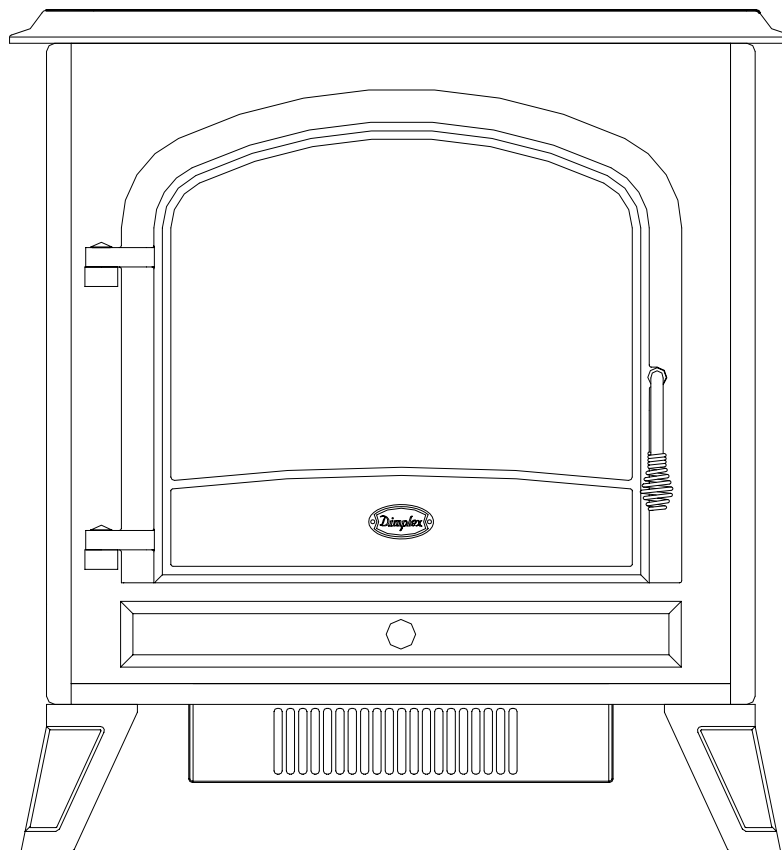
## **FOR THE 20" STOVE**

**MODEL NUMBER:**

**DS5598**

**DS5603**

**DS5804**



** Dimplex®**

# TABLE OF CONTENTS

|  |                |
|--|----------------|
| <b>OPERATION</b>                             | <b>PAGE 1</b>  |
| <b>PARTS DRAWING</b>                         | <b>PAGE 3</b>  |
| <b>PARTS LIST</b>                            | <b>PAGE 4</b>  |
| <b>WIRING DIAGRAM</b>                        | <b>PAGE 9</b>  |
| <b>LIGHT BULB REPLACEMENT</b>                | <b>PAGE 11</b> |
| <b>MAIN ON/OFF SWITCH REPLACEMENT</b>        | <b>PAGE 13</b> |
| <b>FLAME MOTOR/FLAME ROD REPLACEMENT</b>     | <b>PAGE 14</b> |
| <b>HEATER ON/OFF SWITCH REPLACEMENT</b>      | <b>PAGE 16</b> |
| <b>HEATER ASSEMBLY REPLACEMENT</b>           | <b>PAGE 17</b> |
| <b>HEATER THERMOSTAT CONTROL REPLACEMENT</b> | <b>PAGE 18</b> |
| <b>POWER CORD REPLACEMENT</b>                | <b>PAGE 19</b> |

## NOTE

A 15amp, 120 volt circuit is required. A dedicated circuit is preferred but not essential in all cases. A dedicated circuit will be required if, after installation, the circuit breaker trips or fuse blows on a regular basis when the heater is operating. Additional appliances on the same circuit may exceed the current rating of the circuit breaker.

## WARNING

Ensure the power cord is not installed so that it is pinched or against a sharp edge and ensure that the power cord is stored or secured to avoid tripping or snagging to reduce the risk of fire, electric shock or injury to persons.

Construction and electrical outlet wiring must comply with local building codes and other applicable regulations to reduce the risk of fire, electric shock and injury to persons.

Do not attempt to wire your own new outlets or circuits. To reduce the risk of fire, electric shock or injury to persons, always use a licensed electrician.

## STOVE INSTALLATION

1. Make sure the units MAIN ON/OFF switch is switched OFF (refer to operating instruction section).
2. Plug the unit into a 15Amp/120volt outlet. If the cord does not reach, you may use an extension cord rated for a minimum of 1875 watts.

## OPERATION

To access the controls go to the back of the Stove.

### A. MAIN ON/OFF SWITCH

The on/off switch supplies power to all unit functions (heat/flame)

### B. HEATER ON/OFF SWITCH

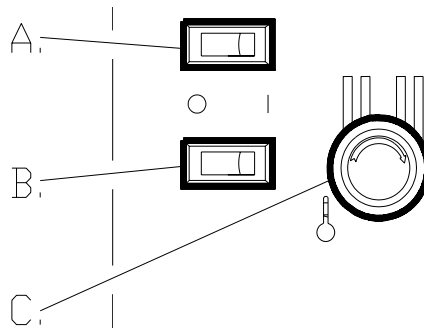
The HEATER ON/OFF SWITCH supplies power to the heater fan and the heater element.

### C. HEATER THERMOSTAT CONTROL

To adjust the temperature to your individual requirements, turn the thermostat control clockwise all the way to turn on the heater. When the room reached the desired temperature, turn the thermostat knob counter clockwise until you hear a click. Leave in this position to maintain the room temperature at this setting. For additional heat, turn clockwise until you hear the click again and the heater will turn on. To turn the heater off, switch the HEATER ON/OFF SWITCH to the OFF position.

## NOTE

When the heater is switched ON, the heater fan will operate. The heater element may or may not be on, depending on the thermostat control setting (SEE "HEATER THERMOSTAT CONTROL").



## RESETTING THE TEMPERATURE CUTOFF SWITCH

Should the heater overheat, an automatic cut out will turn the heater off and it will not come back on without being reset. It can be reset by switching the MAIN ON/OFF SWITCH to OFF and waiting 5 minutes before switching the unit back on.

### CAUTION

If you need to continuously reset the heater, unplug the unit and call Dimplex North America Limited at 1-800-668-6663.

## OPTIONAL REMOTE CONTROL

The remote control has a range of approximately 50ft. (15.25m) it does not have to be pointed at the fireplace and can pass through most obstacles (including walls). It is supplied with one of 243 independent frequencies to prevent interference with other units. The frequency designation is indicated on the back of the transmitter (FIGURE 3)

### REMOTE CONTROL INSTALLATION

1. Plug fireplace cordset into the outlet located on the side of the receiver. (FIGURE 2)
2. Plug receiver into the wall outlet.
3. Install a 9 volt battery into the transmitter. (FIGURE 3)

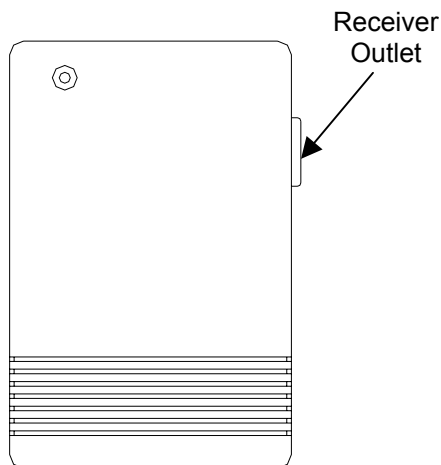
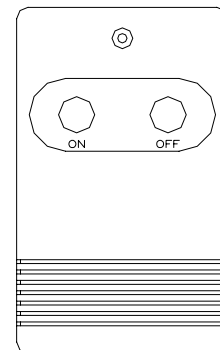


FIGURE 2



### NOTE

- Fireplace MAIN on/off switch must be in the ON position prior to using the Remote Control.
- ON/OFF Remote Control may be used to control most other electrical devices including T.V.'s, stereos and lamps.

### CAUTION

- For indoor use in dry areas only
- For use on electrical devices with 15 amp resistive load or 1/3 HP inductive load
- 120 volt AC only

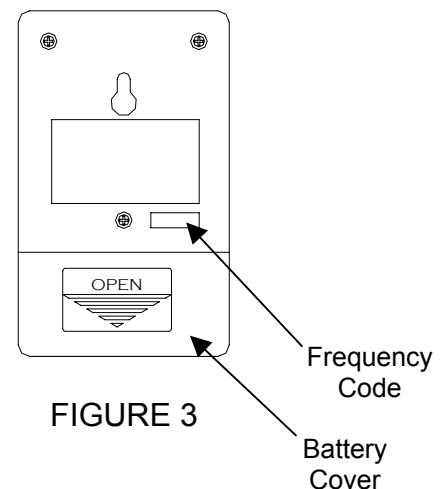
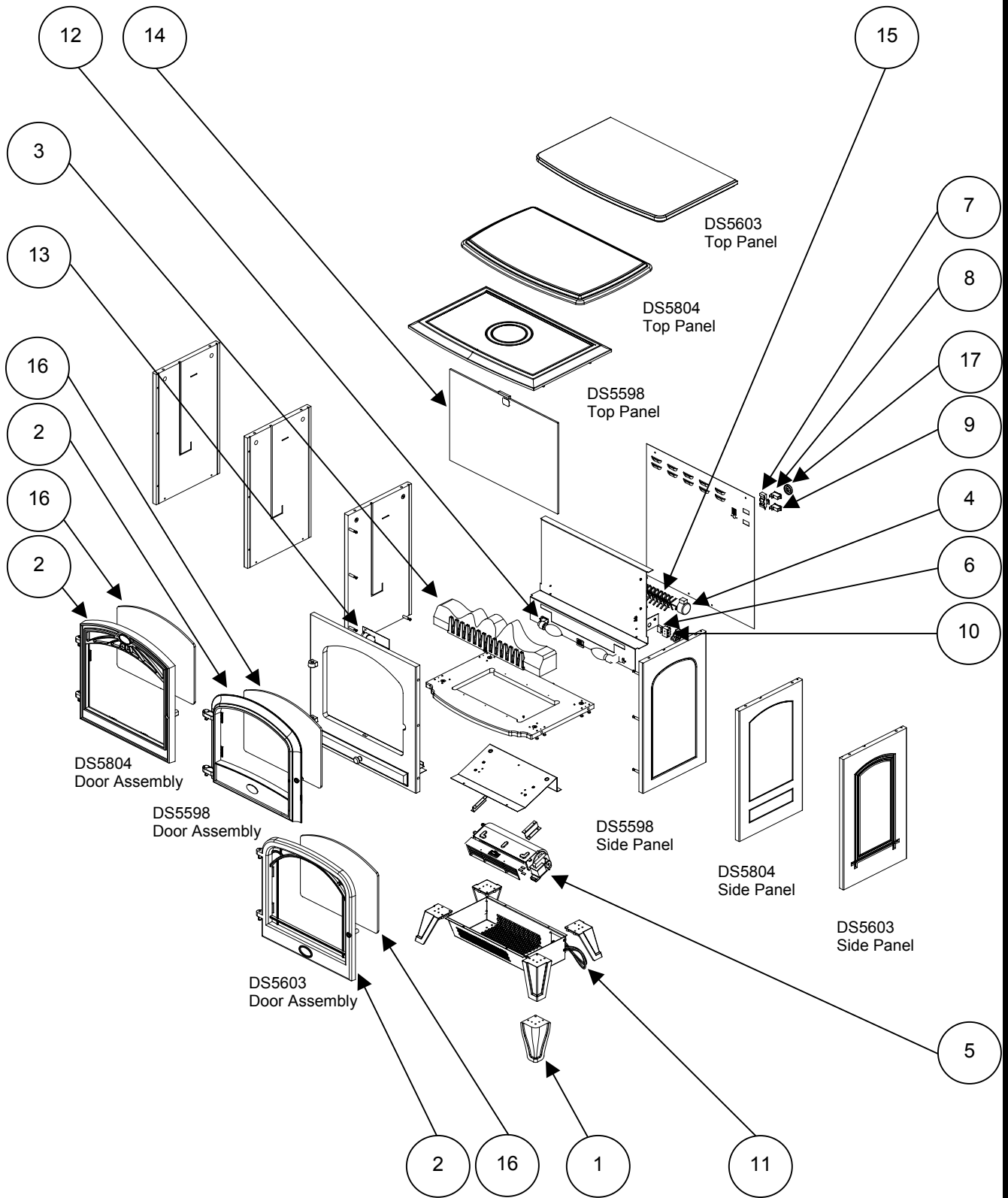


FIGURE 3

DS5598, DS5603, DS5804



DS5598

## REPLACEMENT PARTS

ENGINE ASSY STOVE, PLASTIC DOOR, DS5598

**CATALOGUE NO.**  
**PART NO.**  
**MOD LEVEL:**  
**MADE IN:**

**DS5598**  
**6900330800**  
**MOD. E**  
**CHINA**

**DS5598**  
**6900330700**  
**MOD. D**  
**CANADA**

### REPLACEMENT PART

1. FOOT, PLASTIC
2. DOOR
3. LOGSET
4. FLICKER MOTOR
5. HEATER ASSEMBLY
6. CAPACITOR
7. THERMOSTAT
8. MAIN ON/OFF SWITCH
9. HEATER ON/OFF SWITCH
10. TERMINAL BLOCK
11. CORD SET
12. LOWER LIGHT ASSEMBLY
13. UPPER LIGHT ASSEMBLY
14. MIRROR
15. REFLECTOR ASSEMBLY
16. GLASS FRONT
17. CONTROL KNOB

### REPLACEMENT PART NO.

|               |               |
|---------------|---------------|
| 0438230159RP  | 0438230159RP  |
| 0438240159RP  | 0438240159RP* |
| 0438270100RP  | 0438030100RP  |
| 2000210100RP  | 2000140100RP  |
| 2200490400RP  | 2000230100RP  |
| 2300030100RP  | N/A           |
| 2300150100RP* | 2300150100RP* |
| 2800070200RP  | 2800070200RP  |
| 2800070200RP  | 2800070200RP  |
| 4000070100RP  | N/A           |
| 4100040200RP  | 4100040200RP  |
| 4200120300RP  | 2500080100RP  |
| 4200120400RP  | 2500100100RP  |
| 5900060400RP  | 5900060400RP  |
| 5900080500RP  | 5900080500RP  |
| 5900110100RP  | 5900110100RP  |
| 8800000300RP  | 8800000300RP  |

### OPTIONAL ACCESSORIES

18. REMOTE CONTROL

6800240100RP

6800050200RP

DS5598

## REPLACEMENT PARTS

ENGINE ASSY STOVE, PLASTIC DOOR, DS5598

**CATALOGUE NO.**  
**PART NO.**  
**MOD LEVEL:**  
**MADE IN:**

**DS5598**  
**6900330400**  
**MOD. C**  
**CANADA**

### REPLACEMENT PART

1. FOOT, PLASTIC
2. DOOR
3. LOGSET
4. FLICKER MOTOR
5. HEATER ASSEMBLY
6. CAPACITOR
7. THERMOSTAT
8. MAIN ON/OFF SWITCH
9. HEATER ON/OFF SWITCH
10. TERMINAL BLOCK
11. CORD SET
12. LOWER LIGHT ASSEMBLY
13. UPPER LIGHT ASSEMBLY
14. MIRROR
15. REFLECTOR ASSEMBLY
16. GLASS FRONT
17. CONTROL KNOB

### REPLACEMENT PART NO.

0438620159RP  
0438600159RP\*  
0438030100RP  
2000140100RP  
6902410100RP  
N/A  
2300150100RP\*  
2800070200RP  
2800070200RP  
N/A  
4100040200RP  
2500080100RP  
2500100100RP  
5900060400RP  
5900080500RP  
5900110100RP  
8800000300RP

### OPTIONAL ACCESSORIES

18. REMOTE CONTROL

6800050200RP

DS5603

## REPLACEMENT PARTS

ENGINE ASSY STOVE, PLASTIC DOOR, DS5603

**CATALOGUE NO.**  
**PART NO.**  
**MOD LEVEL:**  
**MADE IN:**

**DS5603**  
**6900330900**  
**MOD. E**  
**CHINA**

**DS5603**  
**6900330600**  
**MOD. D**  
**CANADA**

### REPLACEMENT PART

1. FOOT, PLASTIC
2. DOOR
3. LOGSET
4. FLICKER MOTOR
5. HEATER ASSEMBLY
6. CAPACITOR
7. THERMOSTAT
8. MAIN ON/OFF SWITCH
9. HEATER ON/OFF SWITCH
10. TERMINAL BLOCK
11. CORD SET
12. LOWER LIGHT ASSEMBLY
13. UPPER LIGHT ASSEMBLY
14. MIRROR
15. REFLECTOR ASSEMBLY
16. GLASS FRONT
17. CONTROL KNOB
18. REMOTE CONTROL

### REPLACEMENT PART NO.

|               |               |
|---------------|---------------|
| 0438620159RP  | 0438620159RP  |
| 0438600159RP  | 0438600159RP* |
| 0438270100RP  | 0438030100RP  |
| 2000210100RP  | 2000140100RP  |
| 2200490400RP  | 2000230100RP  |
| 2300030100RP  | N/A           |
| 2300150100RP* | 2300150100RP* |
| 2800070200RP  | 2800070200RP  |
| 2800070200RP  | 2800070200RP  |
| 4000070100RP  | N/A           |
| 4100040200RP  | 4100040200RP  |
| 4200120300RP  | 2500080100RP  |
| 4200120400RP  | 2500100100RP  |
| 5900060400RP  | 5900060400RP  |
| 5900080500RP  | 5900080500RP  |
| 5900360100RP  | 5900360100RP  |
| 8800000300RP  | 8800000300RP  |
| 6800240100RP  | 6800050200RP  |

DS5603

## REPLACEMENT PARTS

ENGINE ASSY STOVE, PLASTIC DOOR, DS5603

**CATALOGUE NO.**  
**PART NO.**  
**MOD LEVEL:**  
**MADE IN:**

**DS5603**  
**6900330500**  
**MOD. C**  
**CANADA**

### REPLACEMENT PART

1. FOOT, PLASTIC
2. DOOR
3. LOGSET
4. FLICKER MOTOR
5. HEATER ASSEMBLY
6. CAPACITOR
7. THERMOSTAT
8. MAIN ON/OFF SWITCH
9. HEATER ON/OFF SWITCH
10. TERMINAL BLOCK
11. CORD SET
12. LOWER LIGHT ASSEMBLY
13. UPPER LIGHT ASSEMBLY
14. MIRROR
15. REFLECTOR ASSEMBLY
16. GLASS FRONT
17. CONTROL KNOB
18. REMOTE CONTROL

### REPLACEMENT PART NO.

0438620159RP  
0438600159RP\*  
0438030100RP  
2000140100RP  
6902410100RP  
N/A  
2300150100RP\*  
2800070200RP  
2800070200RP  
N/A  
4100040200RP  
2500080100RP  
2500100100RP  
5900060400RP  
5900080500RP  
5900360100RP  
8800000300RP  
6800050200RP

DS5804

## REPLACEMENT PARTS

ENGINE ASSY STOVE, PLASTIC DOOR, DS5804

**CATALOGUE NO.**

**DS5804**

**PART NO.**

**6900331000**

**MOD LEVEL:**

**MOD. E**

**MADE IN:**

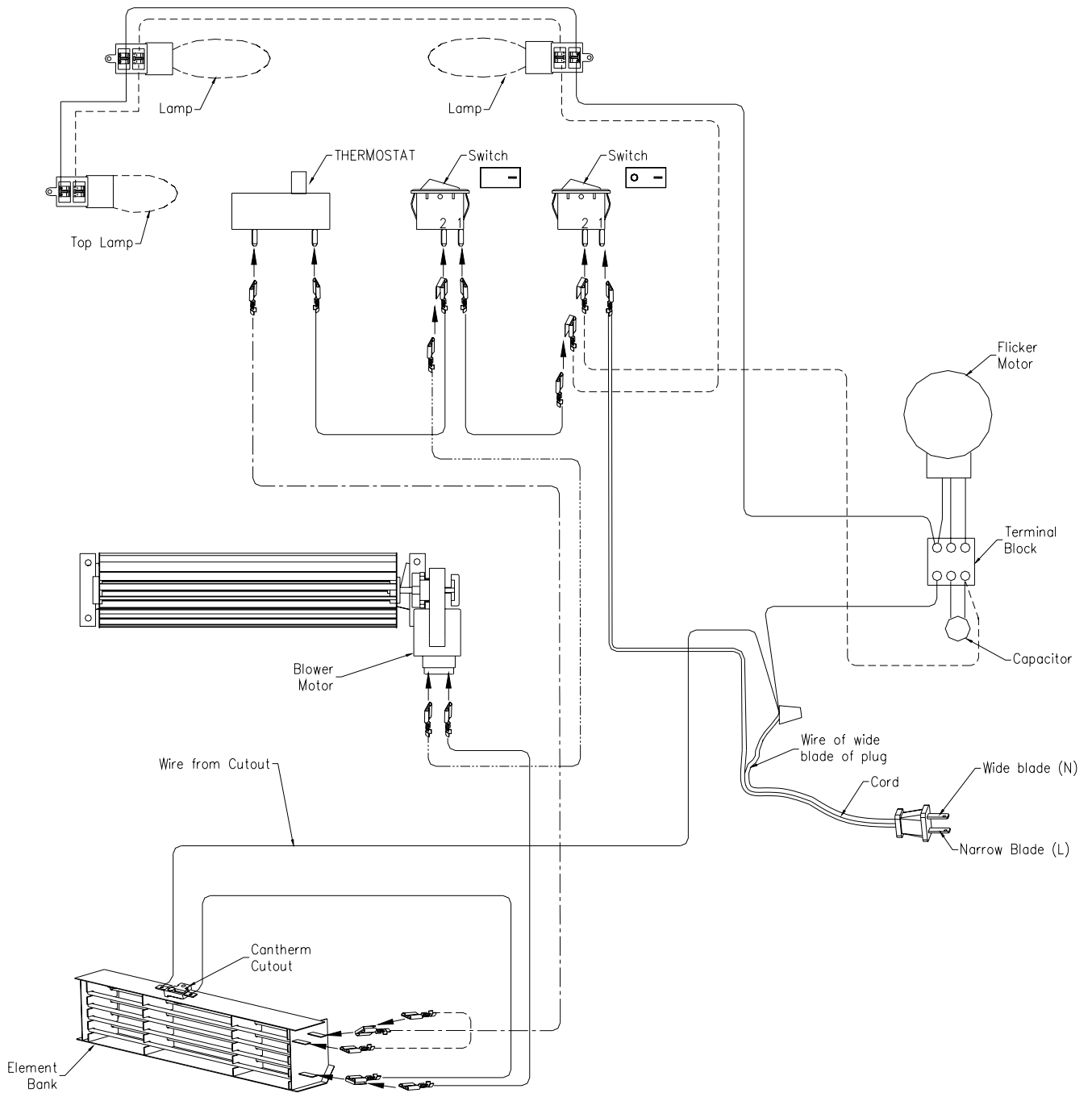
**CHINA**

### REPLACEMENT PART

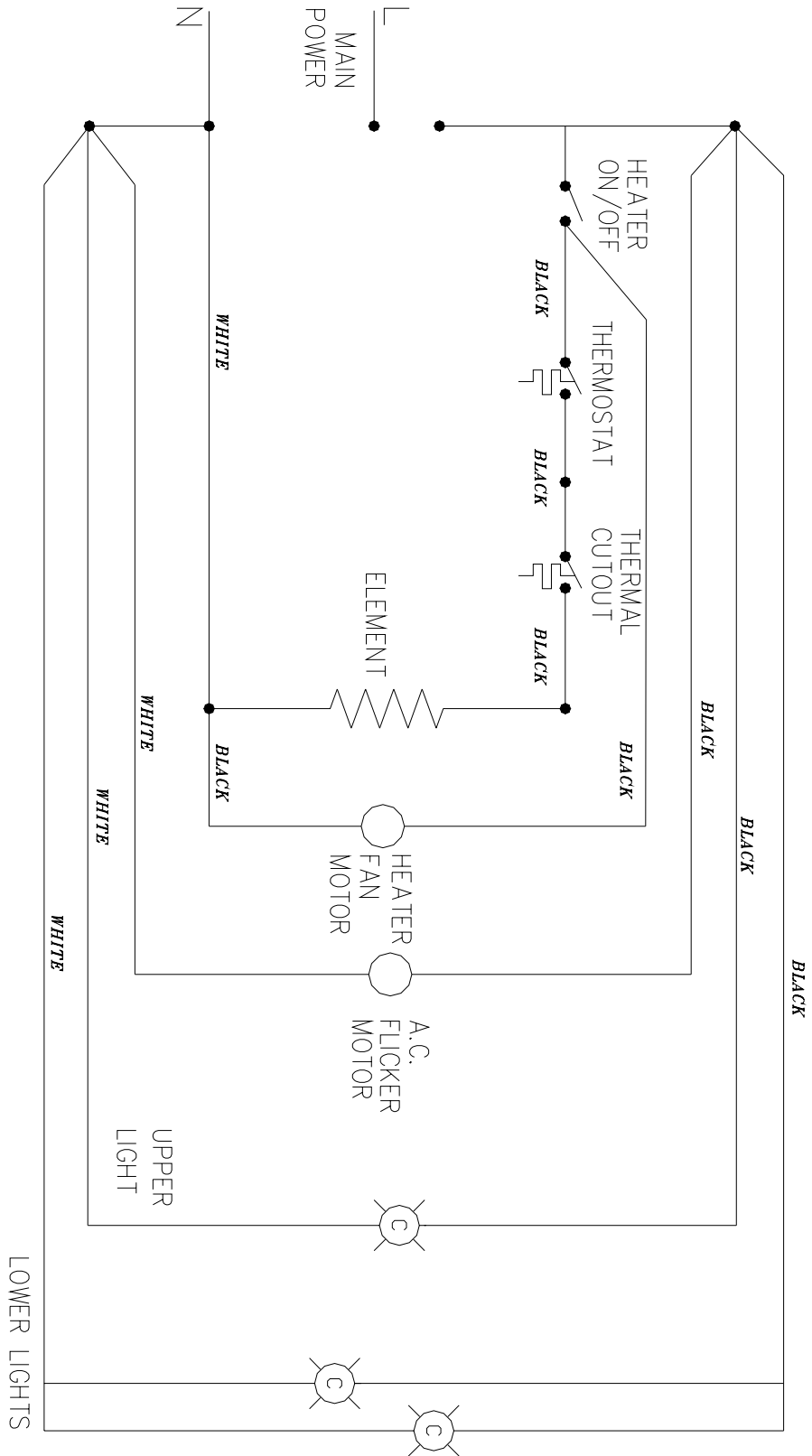
### REPLACEMENT PART NO.

|                          |               |
|--------------------------|---------------|
| 1. FOOT, PLASTIC         | 0438620159RP  |
| 2. DOOR                  | 0438690159RP  |
| 3. LOGSET                | 0438270100RP  |
| 4. FLICKER MOTOR         | 2000210100RP  |
| 5. HEATER ASSEMBLY       | 2200490400RP  |
| 6. CAPACITOR             | 2300030100RP  |
| 7. THERMOSTAT            | 2300150100RP* |
| 8. MAIN ON/OFF SWITCH    | 2800070200RP  |
| 9. HEATER ON/OFF SWITCH  | 2800070200RP  |
| 10. TERMINAL BLOCK       | 4000070100RP  |
| 11. CORD SET             | 4100040200RP  |
| 12. LOWER LIGHT ASSEMBLY | 4200120300RP  |
| 13. UPPER LIGHT ASSEMBLY | 4200120400RP  |
| 14. MIRROR               | 5900060400RP  |
| 15. REFLECTOR ASSEMBLY   | 5900080500RP  |
| 16. GLASS FRONT          | 5900400100RP  |
| 17. CONTROL KNOB         | 8800000300RP  |
| 18. REMOTE CONTROL       | 6800240200RP  |

# WIRING DIAGRAM



# WIRING DIAGRAM



DS5598, DS5603, DS5804

If unit was operating prior to servicing allow at least 10 minutes for light bulbs and heating element to cool off to avoid accidental burning of skin.

Disconnect power before attempting any maintenance or cleaning to reduce the risk of electric shock or damage to persons.

Light bulbs need to be replaced when you notice a dark section of the flame or when the clarity and detail of the log exterior disappears. There is one bulb at the top of the opening that illuminates the log set exterior and two bulbs under the log set which generate the flames and embers.

It is a good idea to replace all of the light bulbs at one time if they are close to the end of their rated life. Group replacement will reduce the number of times you need to open the unit to replace the light bulbs.

### **TO REPLACE UPPER LIGHT BULB**

1. Open door by pulling the handle.
2. Locate the upper bulb bracket.
3. Bend light retainer bracket down.
4. Locate and remove the light bulb.
5. Insert new bulb.
6. Bend light retainer bracket back into its original position.
7. Close the door.

### **UPPER LIGHT BULB REQUIREMENTS**

Quantity of 1 clear chandelier or candelabra bulbs with an E-12 (small) socket base, 7 watt rating.

DS5598, DS5603, DS5804

If unit was operating prior to servicing allow at least 10 minutes for light bulbs and heating element to cool off to avoid accidental burning of skin.

Disconnect power before attempting any maintenance or cleaning to reduce the risk of electric shock or damage to persons.

Light bulbs need to be replaced when you notice a dark section of the flame or when the clarity and detail of the log exterior disappears. There is one bulb at the top of the opening that illuminates the log set exterior and two bulbs under the log set which generate the flames and embers.

It is a good idea to replace all of the light bulbs at one time if they are close to the end of their rated life. Group replacement will reduce the number of times you need to open the unit to replace the light bulbs.

### **TO REPLACE LOWER LIGHT BULBS**

1. Open door by pulling the handle.
2. Remove the screw from the logset located in the center of the emberbed and remove the logset from the unit.
3. Locate and examine the bulbs to determine which bulb(s) required replacement.
4. Locate and remove the light bulb(s).
5. Insert new bulb(s).
6. Install the logset into the unit, pushing firmly against the glass. Replace the logset retaining screw into the ember bed.
7. Close the door.

### **LOWER LIGHT BULB REQUIREMENTS**

Quantity of 2 clear chandelier or candelabra bulbs with an E-12 (small) socket base, 60 watt rating.

DS5598, DS5603, DS5804

If unit was operating prior to servicing allow at least 10 minutes for light bulbs and heating element to cool off to avoid accidental burning of skin.

Disconnect power before attempting any maintenance or cleaning to reduce the risk of electric shock or damage to persons.

### **TO REPLACE MAIN ON/OFF SWITCH**

1. Remove the stove pipe kit (if equipped).
2. With front door closed, gently place stove door side down on a flat surface.
3. Remove the retaining screws on the **REAR** stove legs with a screwdriver and remove the rear legs.
4. Remove the rear cover retaining screw located at the lower center of the rear cover.
5. Slide the rear cover down 4 to 6 inches and gently pull the cover up from both the top and bottom bowing it slightly and remove it from its mounting slot. When the cover is removed place beside the stove being careful not to damage any of the wiring.
6. Locate the main on/off switch mounted on the rear panel and disconnect the wiring clips and connections noting their original locations.
7. Depress the retainer clips on the rear of the switch and push the switch out of the rear cover.
8. Properly orientate the new switch and connect all of the wiring clips and connections.
9. Reassemble in the reverse order as above.

DS5598, DS5603, DS5804

If unit was operating prior to servicing allow at least 10 minutes for light bulbs and heating element to cool off to avoid accidental burning of skin.

Disconnect power before attempting any maintenance or cleaning to reduce the risk of electric shock or damage to persons.

### **TO REPLACE FLAME MOTOR/FLAME ROD**

1. Remove the stove pipe kit (if equipped).
2. With front door closed, gently place stove door side down on a flat surface.
3. Remove the retaining screws on the **REAR** stove legs with a screwdriver and remove the rear legs.
4. Remove the rear cover retaining screw located at the lower center of the rear cover.
5. Slide the rear cover down 4 to 6 inches and gently pull the cover up from both the top and bottom bowing it slightly and remove it from its mounting slot. When the cover is removed place beside the stove being careful not to damage any of the wiring.
6. Locate the flame motor and flame rod assembly and remove the wiring clips and connections noting their original locations.
7. Remove the mounting bracket screws on the flame motor side only and pull the assembly out of the other mounting bracket.

#### **NOTE**

When removing the flame motor some damage may occur to the flame rod. If flame rod is damaged replace to insure proper operation.

8. To remove the flame rod attach needle nose pliers to the spring on the motor shaft and pull while rotating in the opposite direction of the spring winding.
9. To remove the flame motor you must first remove the flame rod (see above). Remove the motor mounting screws and remove motor from the mounting bracket.
10. To replace the flame rod attach needle nose pliers to the flame rod spring and push onto the flame motor shaft while rotating in the opposite direction of the spring winding.

DS5598, DS5603, DS5804

If unit was operating prior to servicing allow at least 10 minutes for light bulbs and heating element to cool off to avoid accidental burning of skin.

Disconnect power before attempting any maintenance or cleaning to reduce the risk of electric shock or damage to persons.

**TO REPLACE FLAME MOTOR/FLAME ROD**

11. Properly orientate the flame motor and connect all of the wiring clips connections in their original locations.
12. Reassemble in the reverse order as above.

DS5598, DS5603, DS5804

If unit was operating prior to servicing allow at least 10 minutes for light bulbs and heating element to cool off to avoid accidental burning of skin.

Disconnect power before attempting any maintenance or cleaning to reduce the risk of electric shock or damage to persons.

### **TO REPLACE HEATER ON/OFF SWITCH**

1. Remove the stove pipe kit (if equipped).
2. With front door closed, gently place stove door side down on a flat surface.
3. Remove the retaining screws on the **REAR** stove legs with a screwdriver and remove the rear legs.
4. Remove the rear cover retaining screw located at the lower center of the rear cover.
5. Slide the rear cover down 4 to 6 inches and gently pull the cover up from both the top and bottom bowing it slightly and remove it from its mounting slot. When the cover is removed place beside the stove being careful not to damage any of the wiring.
6. Locate the heater on/off switch mounted on the rear cover and disconnect the wiring clips and connections noting their original locations.
7. Depress the retainer clips on the rear of the switch and push the switch out of the rear cover.
8. Properly orientate the new switch and connect all of the wiring clips and connections.
9. Reassemble in the reverse order as above.

DS5598, DS5603, DS5804

If unit was operating prior to servicing allow at least 10 minutes for light bulbs and heating element to cool off to avoid accidental burning of skin.

Disconnect power before attempting any maintenance or cleaning to reduce the risk of electric shock or damage to persons.

### **TO REPLACE HEATER ASSEMBLY**

1. Remove the stove pipe kit (if equipped).
2. With the front door closed, gently place the stove, door side up on a flat surface.
3. Remove the heater assembly retaining screws located on the bottom of the stove with a screwdriver.
4. Lower the heater assembly off of the bottom of the stove being careful not to damage any of the wiring.
5. Disconnect the wiring clips and connections noting their original locations.
6. Remove the heater assembly mounting screws and remove the heater assembly.
7. Properly orientate the new heater assembly and connect all of the wiring clips and connections.
8. Reassemble in the reverse order as above.

DS5598, DS5603, DS5804

If unit was operating prior to servicing allow at least 10 minutes for light bulbs and heating element to cool off to avoid accidental burning of skin.

Disconnect power before attempting any maintenance or cleaning to reduce the risk of electric shock or damage to persons.

### **TO REPLACE HEATER THERMOSTAT CONTROL**

1. Remove the stove pipe kit (if equipped).
2. With front door closed, gently place stove door side down on a flat surface.
3. Remove the retaining screws on the **REAR** stove legs with a screwdriver and remove the rear legs.
4. Remove the rear cover retaining screw located at the lower center of the rear cover.
5. Slide the rear cover down 4 to 6 inches and gently pull the cover up from both the top and bottom bowing it slightly and remove it from its mounting slot. When the cover is removed place beside the stove being careful not to damage any of the wiring.
6. Locate the heater thermostat control mounted on the rear cover and disconnect the wiring clips and connections noting their original locations.
7. Pull off the thermostat control knob to expose the mounting screws.
8. Remove the mounting screws and remove the heater thermostat control switch.
9. Properly orientate the new heater thermostat control and connect all of the wiring clips and connections.
10. Reassemble in the reverse order as above.

DS5598, DS5603, DS5804

If unit was operating prior to servicing allow at least 10 minutes for light bulbs and heating element to cool off to avoid accidental burning of skin.

Disconnect power before attempting any maintenance or cleaning to reduce the risk of electric shock or damage to persons.

### **TO REPLACE THE POWER CORD**

1. Remove the stove pipe kit (if equipped).
2. With front door closed, gently place stove door side down on a flat surface.
3. Remove the retaining screws on the **REAR** stove legs with a screwdriver and remove the rear legs.
4. Remove the rear cover retaining screw located at the lower center of the rear cover.
5. Slide the rear cover down 4 to 6 inches and gently pull the cover up from both the top and bottom bowing it slightly and remove it from its mounting slot. When the cover is removed place beside the stove being careful not to damage any of the wiring.
6. Locate and disconnect the power cord wiring connections noting their original locations.
7. Remove the heater cover retaining screws located on the bottom of the stove with a screwdriver.
8. Lower the heater cover off of the bottom of the stove being careful not to damage any of the wiring.
9. With needle nose pliers grasp the power cord strain relief grommet from inside the heater cover and push while twisting to remove.
10. Pull the power cord out through the hole in the heater cover.
11. Install the new power cord through the hole in the heater cover and connect all of the wiring connections in their original locations.
12. Install the power cord retaining grommet on the power cord and insert into the hole in the heater cover.
13. Reassemble in the reverse order as above.