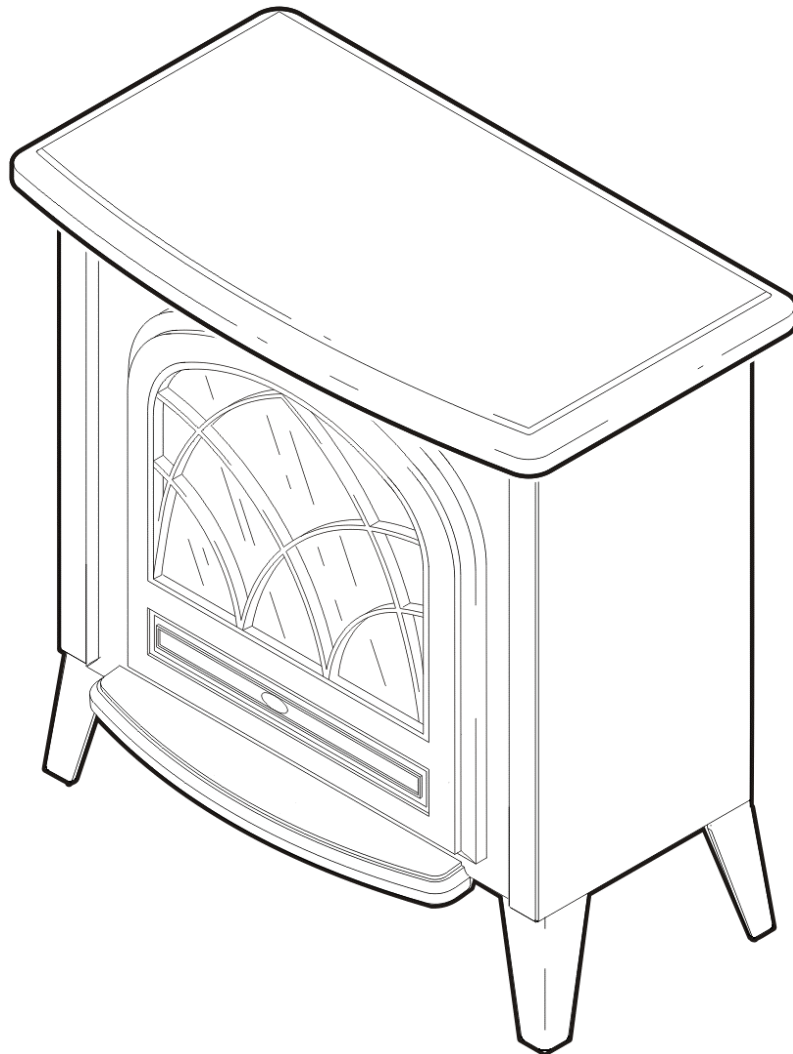


# **PARTS AND SERVICE MANUAL**

**FOR**

**COMPACT STOVE  
Model CS3311**

** Dimplex<sup>®</sup>**





## TABLE OF CONTENTS

<b>OPERATION</b>	<b>PAGE 2</b>
<b>PARTS DRAWING</b>	<b>PAGE 3</b>
<b>PARTS LIST</b>	<b>PAGE 4</b>
<b>LIGHT BULB REPLACEMENT</b>	<b>PAGE 5</b>
<b>HEATER ON/OFF SWITCH REPLACEMENT</b>	<b>PAGE 6</b>
<b>THERMOSTAT CONTROL REPLACEMENT</b>	<b>PAGE 6</b>
<b>HEATER ASSEMBLY REPLACEMENT</b>	<b>PAGE 7</b>
<b>TERMINAL BLOCK REPLACEMENT</b>	<b>PAGE 8</b>
<b>FLAME MOTOR/FLAME ROD REPLACEMENT</b>	<b>PAGE 9</b>
<b>POWER CORD REPLACEMENT</b>	<b>PAGE 11</b>

## Compact Stove Controls

### A. Main on/off switch

1. The fireplace has a manual power ON/OFF switch located on the rear right side of the stove.
2. To operate, press the switch to turn the unit on or off

### B. Heater Switch

Press this switch to turn the stove heater on or off.

### C. Thermostat knob

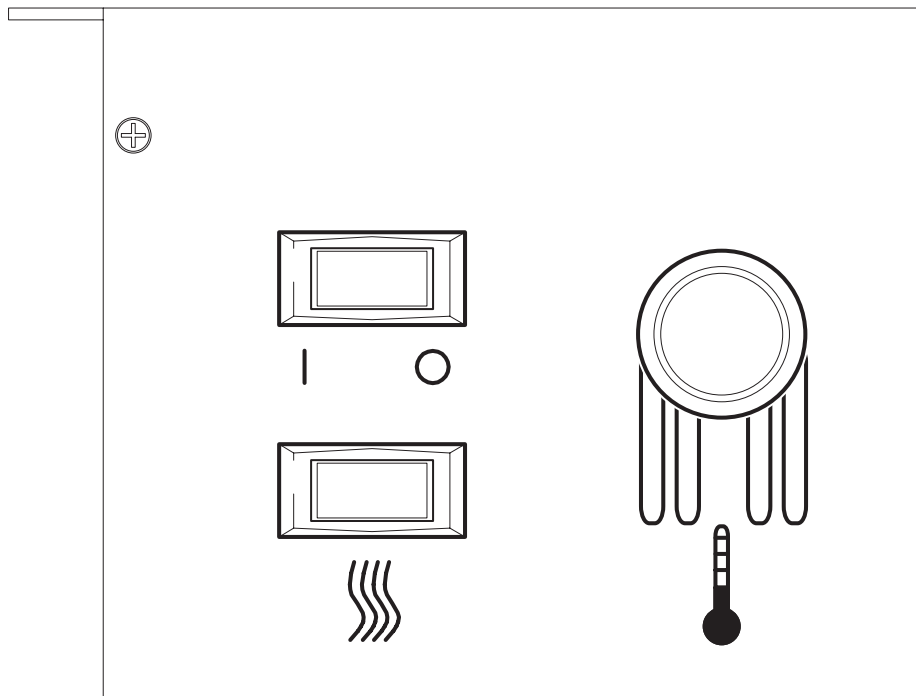
Turn this knob to adjust the heat level.

## RESETTING THE TEMPERATURE CUTOFF SWITCH

Should the heater overheat, an automatic cut out will turn the heater off and it will not come back on without being reset. It can be reset by switching the MAIN ON/OFF SWITCH to OFF and waiting 5 minutes before switching the unit back on.

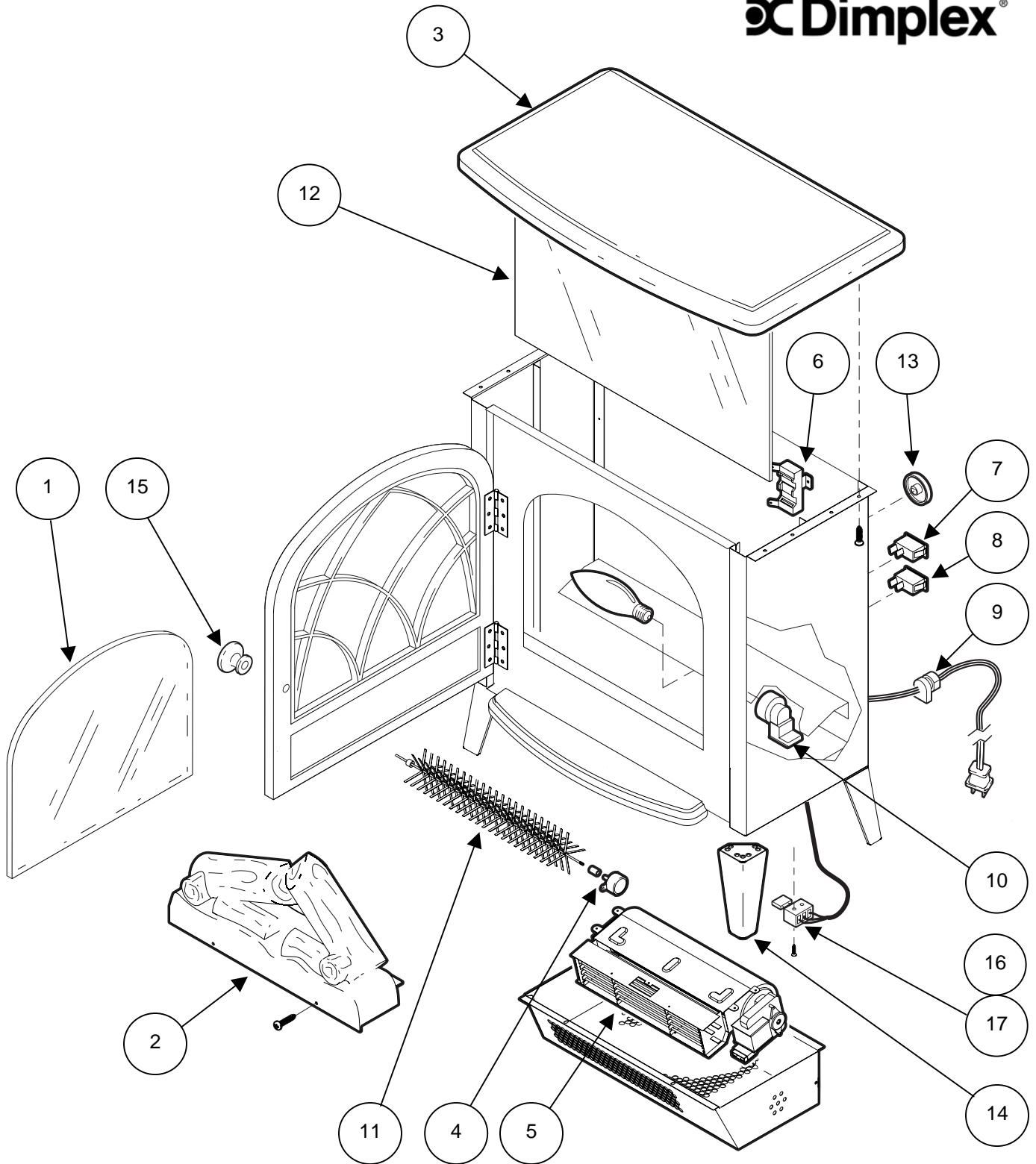
### CAUTION

If you need to continuously reset the heater, unplug the unit and call Dimplex North America Limited at 1-800-668-6663.



CS1205

**Dimplex**<sup>®</sup>



CS3311

## REPLACEMENT PARTS

### COMPACT STOVE, DIMPLEX CHARMGLOW

<b>PART NO.</b>	<b>6901050700</b>
<b>MOD. LEVEL</b>	<b>NONE</b>
<b>MADE IN</b>	<b>CHINA</b>

<b>REPLACEMENT PART</b>	<b>REPLACEMENT PART NO.</b>
1. CLEAR PLASTIC DOOR PANEL	0438490100RP
2. LOGSET ASSEMBLY	0438500400RP
3. TOP PANEL	1104120260RP
4. MOTOR 120V	2000210100RP
5. HEATER ASSEMBLY	2200490100RP
6. THERMOSTAT	2300150100RP
7. ON/OFF SWITCH	2800070200RP
8. HEATER SWITCH	2800070200RP
9. CORD SET 120V	4100090100RP
10. LAMP HOLDER	4200090100RP
11. REFLECTOR ROTISSIERE	5900081100RP
12. MIRROR	5900640100RP
13. THERMOSTAT KNOB	8800000300RP
14. FOOT	0438460160RP
15. DOOR KNOB	8800340100RP
16. TERMINAL BLOCK	4000070100RP
17. CAPACITOR	2300030100RP

## CS3311

If unit was operating prior to servicing allow at least 10 minutes for light bulbs and heating element to cool off to avoid accidental burning of skin.

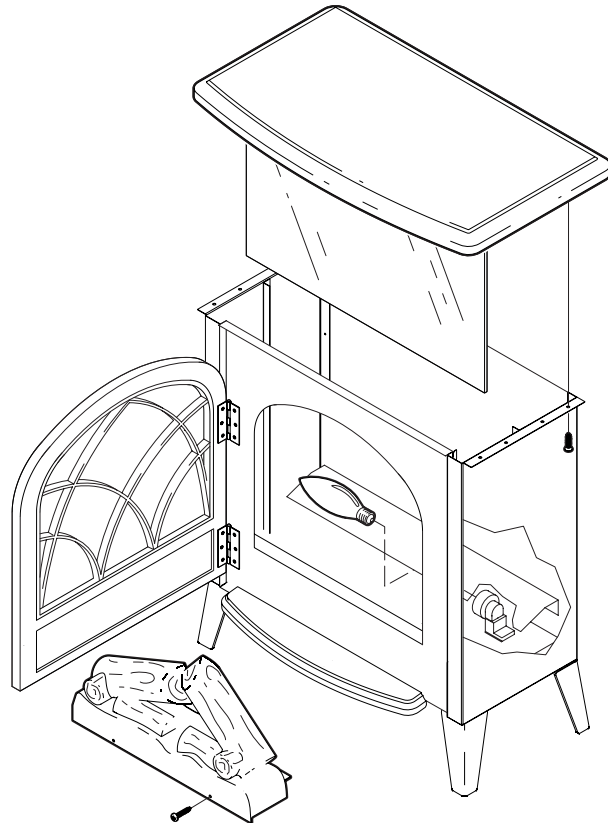
Disconnect power before attempting any maintenance or cleaning to reduce the risk of electric shock or damage to persons.

Light bulbs need to be replaced when you notice a dark section of the flame. There are four bulbs under the log set which generate the flames and embers.

It is a good idea to replace all of the light bulbs at one time if they are close to the end of their rated life. Group replacement will reduce the number of times you need to open the unit to replace the light bulbs.

### LIGHT BULB REPLACEMENT

1. Remove the 12 fastening screws on the top panel and remove the top of the stove.
2. Lift glass out and store in a safe place.
3. Remove the 2 fastening screws inside the door and remove the logset.
4. Examine the bulbs to determine which bulbs require replacement.
5. Hold the socket while unscrewing the bulb.
6. Hold the socket while screwing in the new bulb.
7. Reassemble in the reverse order as above.



### LIGHT BULB REQUIREMENTS

Quantity of 4 clear chandelier or candelabra bulbs with an E-12 (small) socket base, 60 watt rating.

## CS1205

If unit was operating prior to servicing allow at least 10 minutes for light bulbs and heating element to cool off to avoid accidental burning of skin.

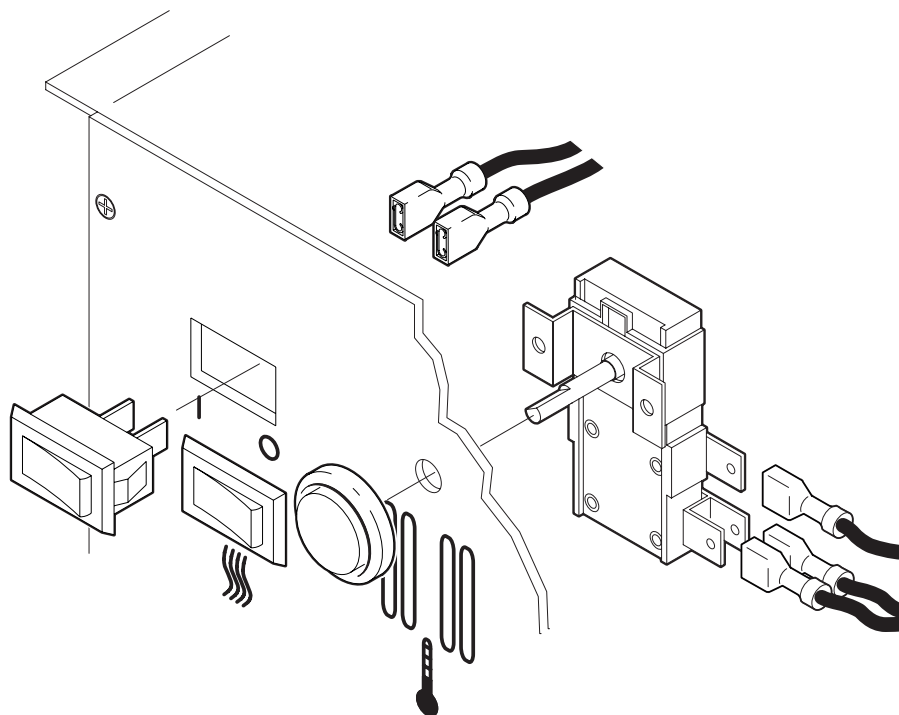
Disconnect power before attempting any maintenance or cleaning to reduce the risk of electric shock or damage to persons.

### TO REPLACE ON/OFF AND HEATER SWITCHES

1. Remove the 12 fastening screws on the top panel and remove the top of the stove.
2. Locate the switch to be replaced mounted on rear of the stove and disconnect the wiring clips and connections noting their original locations.
3. Depress the retainer clips on the rear of the switch and push the switch out of the rear of the cover.
4. Reassemble in the reverse order as above

### TO REPLACE THERMOSTAT CONTROL

1. Remove the 12 fastening screws on the top panel and remove the top of the stove.
2. Remove the Thermostat Control knob to gain access to the mounting screws.
3. Remove the 2 mounting screws and disconnect the wiring clips and connections noting their original locations.
4. Reassemble in the reverse order as above



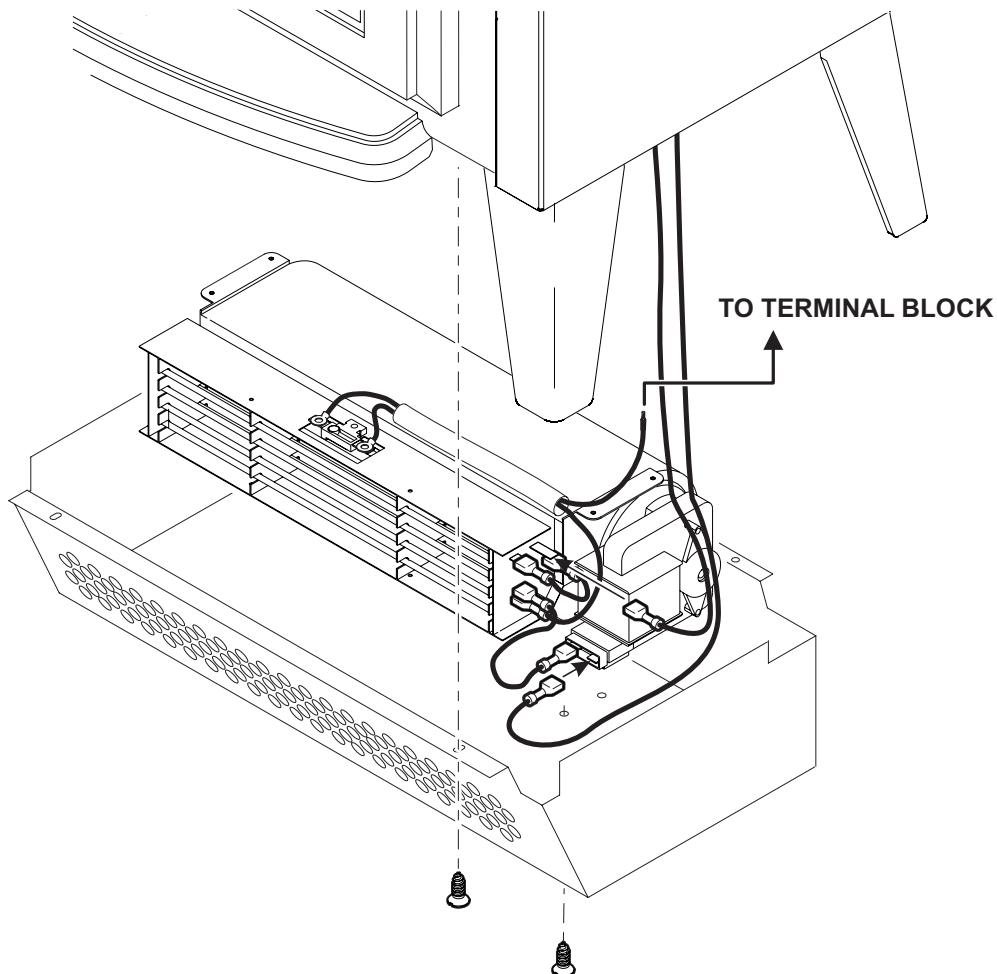
## CS1205

If unit was operating prior to servicing allow at least 10 minutes for light bulbs and heating element to cool off to avoid accidental burning of skin.

Disconnect power before attempting any maintenance or cleaning to reduce the risk of electric shock or damage to persons.

### TO REPLACE HEATER ASSEMBLY

1. Turn the stove over and place it top down.
2. Remove the bottom heater assembly cover being careful not to damage any of the wiring.
3. Remove the 4 heater retaining screws from the bottom of the heater assembly cover and move the heater to gain access to the heater connections being careful not to damage any of the wiring.
4. Disconnect the 2 heater switch leads from the heater.
5. Disconnect the thermal cut-out wire from the terminal block.
6. Remove the 2 mounting brackets from the bottom of the old heater and install them on the new heater.
7. Reassemble in the reverse order as above.



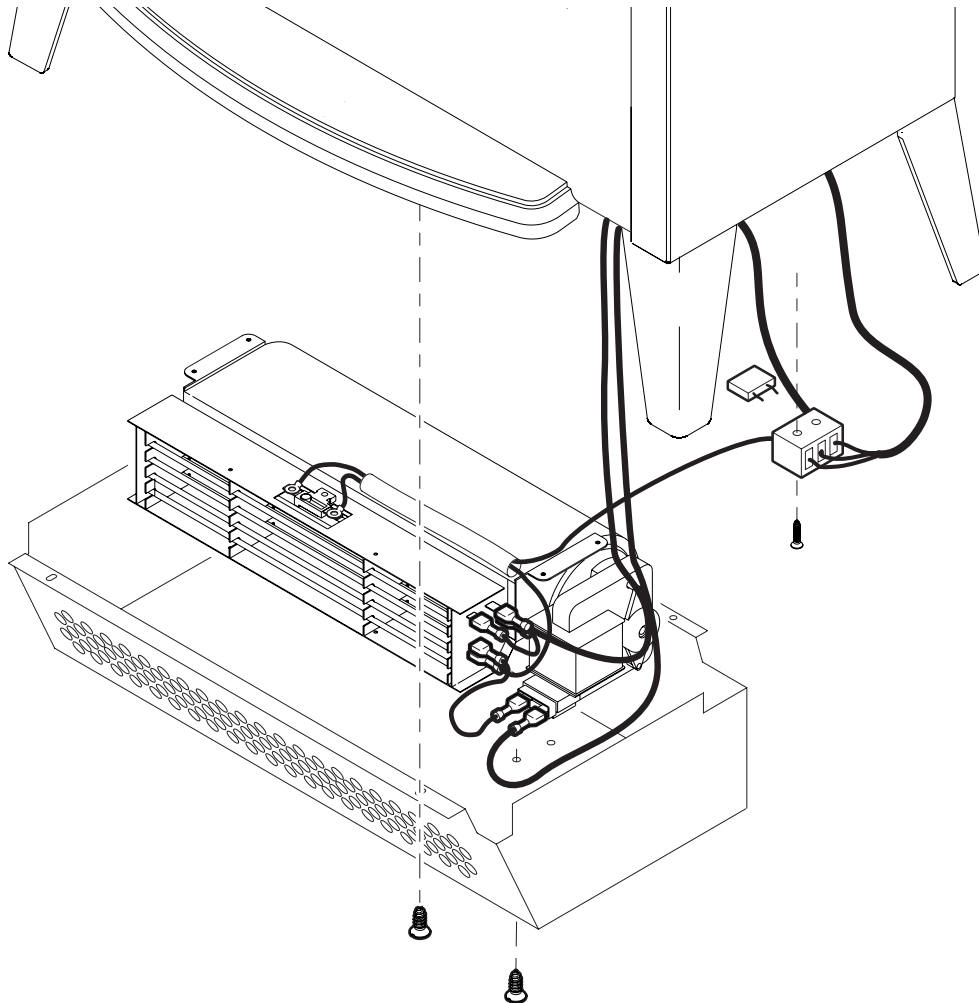
## CS3311

If unit was operating prior to servicing allow at least 10 minutes for light bulbs and heating element to cool off to avoid accidental burning of skin.

Disconnect power before attempting any maintenance or cleaning to reduce the risk of electric shock or damage to persons.

### TO REPLACE TERMINAL BLOCK

1. Lay the stove on its back with the front window facing upward.
2. Remove the bottom heater assembly cover being careful not to damage any of the wiring and lay it on the floor.
3. Loosen the connections on the terminal block and remove the wires noting their original locations.
4. Remove the capacitor from the terminal block
5. Using pliers to hold the nuts on the inside of the stove, remove the terminal block mounting screws.
6. Reassemble in the reverse order as above.



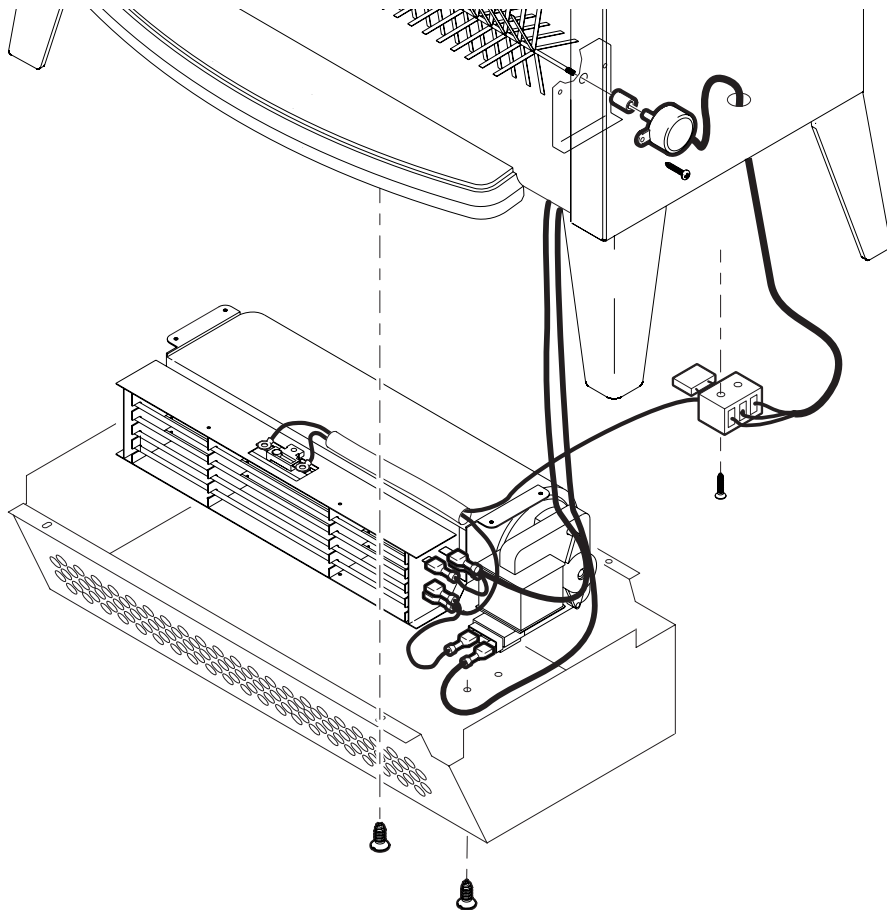
## CS3311

If unit was operating prior to servicing allow at least 10 minutes for light bulbs and heating element to cool off to avoid accidental burning of skin.

Disconnect power before attempting any maintenance or cleaning to reduce the risk of electric shock or damage to persons.

### TO REPLACE FLAME MOTOR/FLAME ROD

1. Remove the 12 fastening screws on the top panel and remove the top of the stove.
2. Lift glass out and store in a safe place.
3. Remove the log set by sliding to the rear of the stove and lifting out.
4. Remove the reflector rod from the flame motor by pulling the end of the rod to the left and separating it from the rubber sleeve.
5. Remove the rubber sleeve from the motor shaft.
6. Remove the 2 motor mounting screws and remove the flame motor.
7. Discard the old flame motor.
8. Lay the stove on its back with the front window facing upward.
9. Remove the bottom heater assembly cover being careful not to damage any of the wiring and lay it on the floor.
10. Loosen the flame motor connections on the terminal block and remove the wires noting their original locations.
11. Reassemble in the reverse order.



## CS3311

If unit was operating prior to servicing allow at least 10 minutes for light bulbs and heating element to cool off to avoid accidental burning of skin.

Disconnect power before attempting any maintenance or cleaning to reduce the risk of electric shock or damage to persons.

### TO REPLACE THE POWER CORD

1. Remove the 12 fastening screws on the top panel and remove the top of the stove.
2. Lift glass out and store in a safe place.
3. Disconnect the 2 power cord leads noting their original locations.
4. Remove the 2 power cord retainer screws and remove the power cord.
5. Reassemble in the reverse order as above

