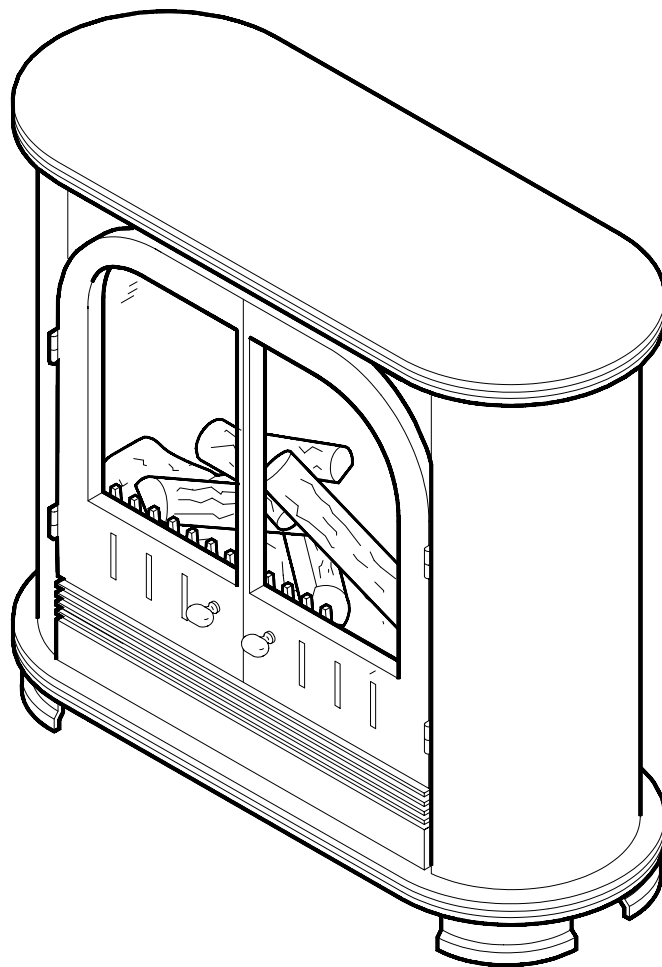


PARTS AND SERVICE MANUAL

FOR THE MILANO^{ef} STOVE

MODEL NUMBER:

EDS7001F



Dimplex[®]

TABLE OF CONTENTS

OPERATION	PAGE 1
PARTS DRAWING	PAGE 3
PARTS LIST	PAGE 4
WIRING DIAGRAM	PAGE 5
UPPER LIGHT BULB REPLACEMENT	PAGE 6
LOWER LIGHT BULB REPLACEMENT	PAGE 7
MAIN ON/OFF SWITCH REPLACEMENT	PAGE 8
FLAME MOTOR/FLAME ROD REPLACEMENT	PAGE 9
HEATER ON/OFF SWITCH REPLACEMENT	PAGE 11
HEATER THERMOSTAT CONTROL	PAGE 12
POWER CORD REPLACEMENT	PAGE 13
HEATER ASSEMBLY REPLACEMENT	PAGE 14

OPERATION

To access the controls go to the back of the stove.

A. MAIN ON/OFF SWITCH

The On/Off switch supplies power to all unit functions (heat/flame)

B. HEATER ON/OFF SWITCH

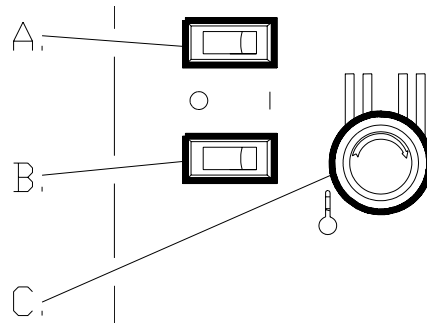
The HEATER ON/OFF SWITCH supplies power to the heater fan and the heater element.

C. HEATER THERMOSTAT CONTROL

To adjust the temperature to your individual requirements, turn the thermostat control clockwise all the way to turn on the heater. When the room reached the desired temperature, turn the thermostat knob counter clockwise until you hear a click. Leave in this position to maintain the room temperature at this setting. For additional heat, turn clockwise until you hear the click again and the heater will turn on. To turn the heater off, switch the HEATER ON/OFF SWITCH to the OFF position.

NOTE

When the heater is switched ON, the heater fan will operate. The heater element may or may not be on, depending on the thermostat control setting (SEE "HEATER THERMOSTAT CONTROL").



RESETTING THE TEMPERATURE CUTOFF SWITCH

This unit is equipped with a thermostat that controls the temperature of the room. It does this by turning the heater on and off. The heater is protected with a safety device to prevent overheating. Should the heater overheat, an automatic cut out will turn the heater off and it will not come back on without being reset. To reset the temperature cutoff switch turn the main power switch to the OFF position and wait five minutes before switching the unit back on.

OPTIONAL REMOTE CONTROL

The remote control has a range of approximately 50ft. (15.25m) it does not have to be pointed at the fireplace and can pass through most obstacles (including walls). It is supplied with one of 243 independent frequencies to prevent interference with other units. The frequency designation is indicated on the back of the transmitter (FIGURE 3)

REMOTE CONTROL INSTALLATION

1. Plug fireplace cordset into the outlet located on the side of the receiver. (FIGURE 2)
2. Plug receiver into the wall outlet.
3. Install a 9 volt battery into the transmitter. (FIGURE 3)
4. Turn the stove main power switch to the on position prior to using the remote control.
5. The remote control works up to 50 feet away.
6. Push the ON button to turn stove on, push the OFF button to turn the stove off.

NOTE

To prevent the risk of fire, the stove plug must be inserted fully into the receiver.

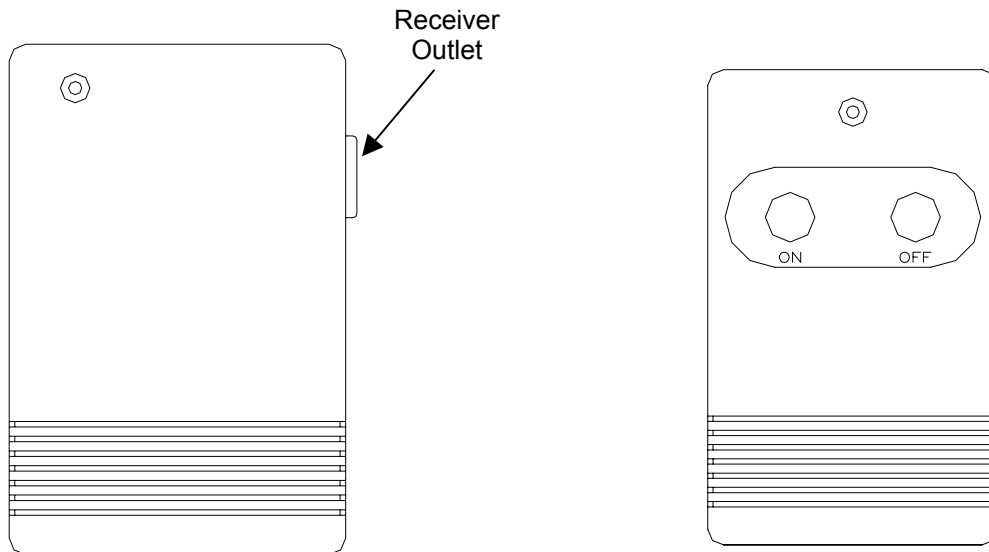


FIGURE 2

NOTE

- Fireplace MAIN on/off switch must be in the ON position prior to using the Remote Control.
- ON/OFF Remote Control may be used to control most other electrical devices including T.V.'s, stereos and lamps.

CAUTION

- For indoor use in dry areas only
- For use on electrical devices with 15 amp resistive load or 1/3 HP inductive load
- 120 volt AC only

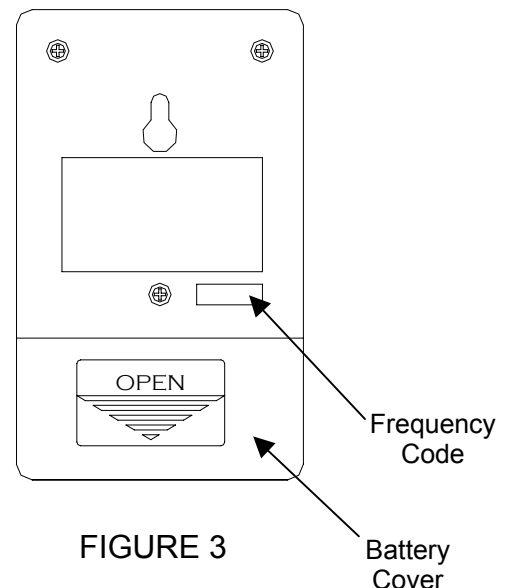
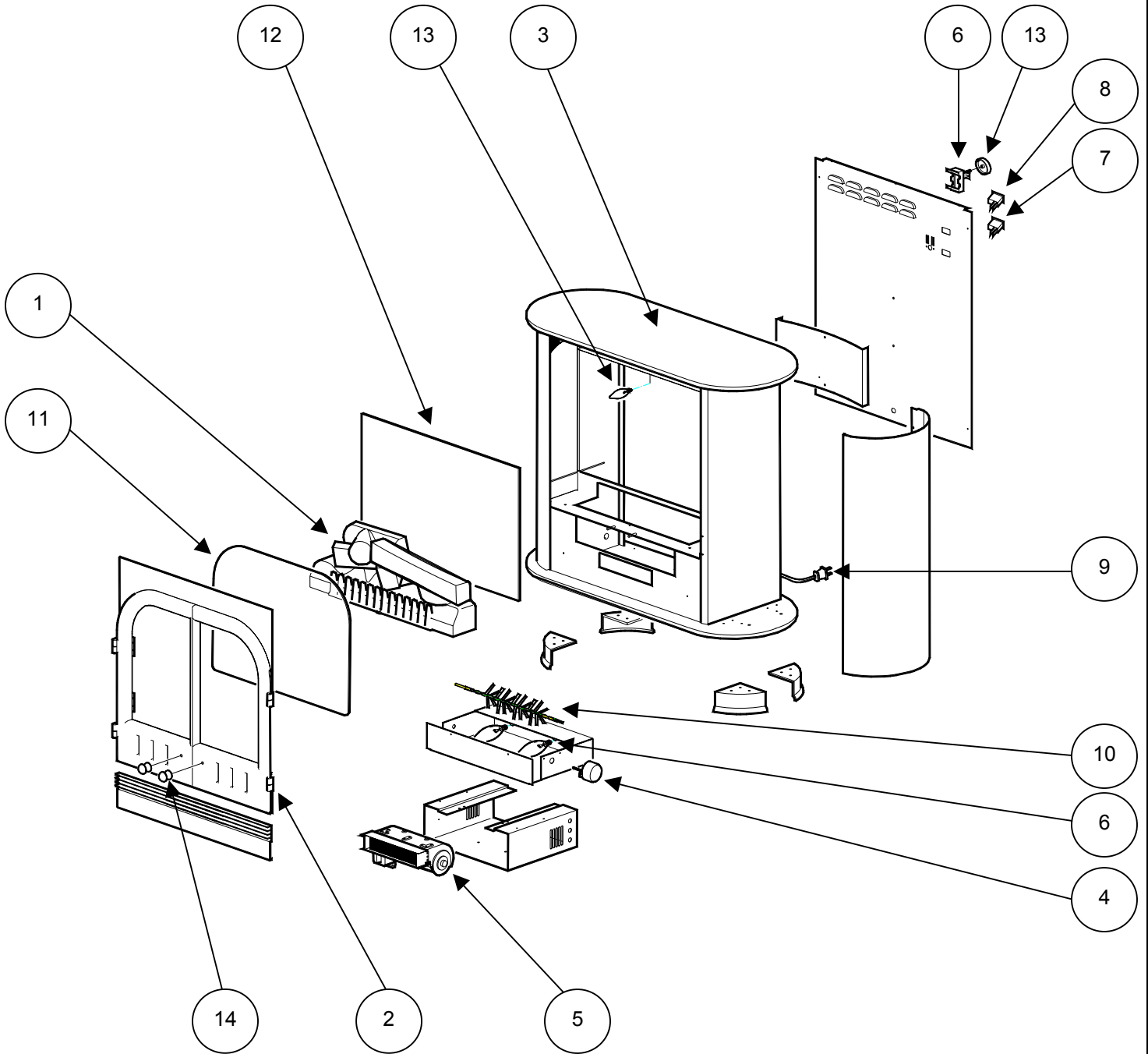


FIGURE 3

Battery Cover

EDS7001F



EDS7001F

REPLACEMENT PARTS

STOVE- MILANO STYLE - GLOSS BLACK

PART NO.
MOD LEVEL

6900830100
NONE

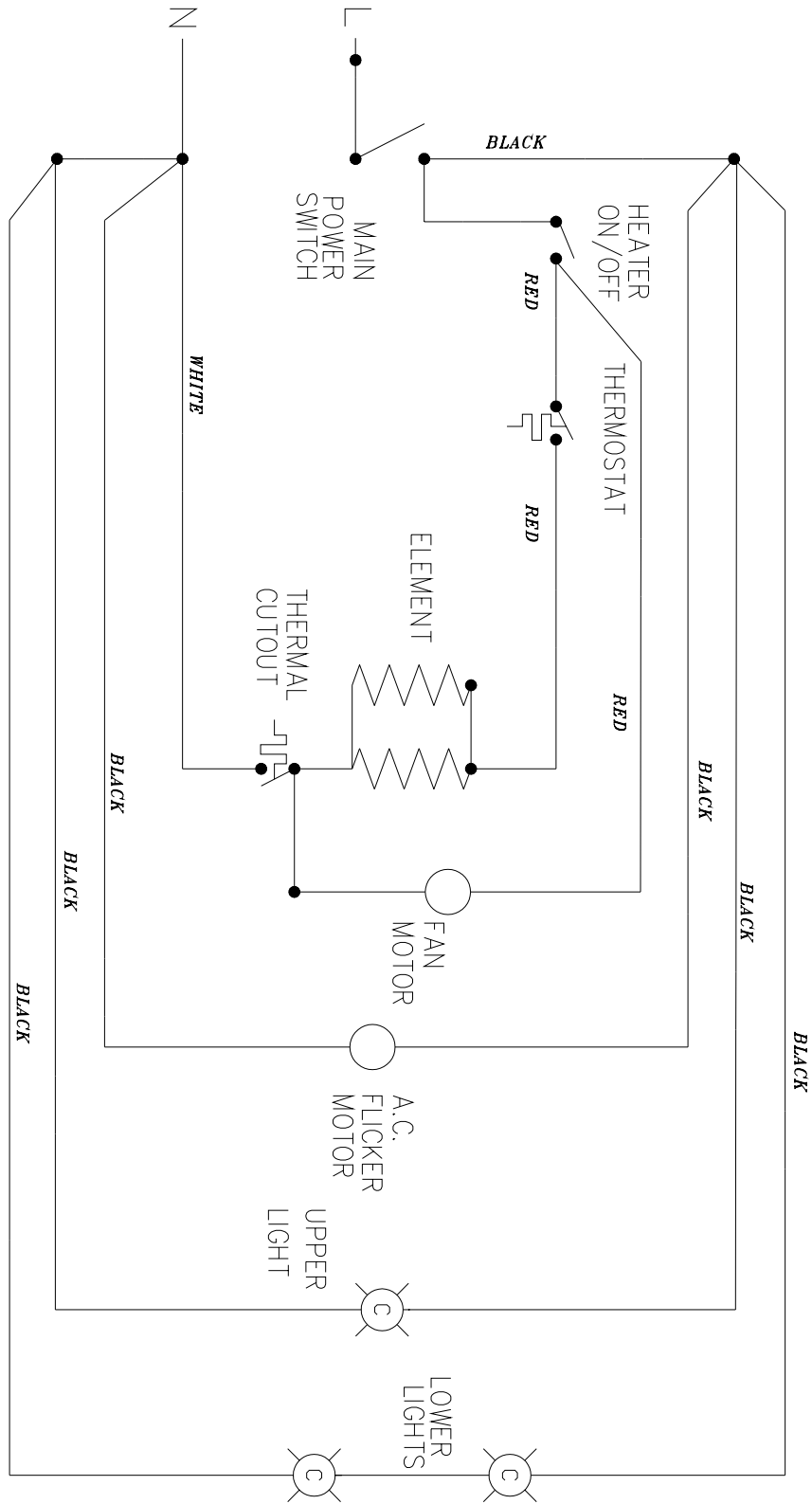
6900830100
A

REPLACEMENT PART

REPLACEMENT PART NO.

1. LOG SET	0438270100RP	0438270100RP
2. FRONT DOOR	0438390100RP	0438390100RP
3. TOP PANEL	1103740104RP	1103740104RP
4. MOTOR, ELECTRIC	2000140300RP	2000140300RP
5. HEATER ASSEMBLY	6902420100RP	6902420100RP
6. LOWER LIGHT HARNESS	2500170100RP	2500170100RP
7. HEATER ON/OFF SWITCH	2800070200RP	2800070200RP
8. MAIN ON/OFF SWITCH	2800070200RP	2800070200RP
9. CORDSET	4100040300RP	4100040300RP
10. REFLECTOR ASS'Y, ROTATING	5900080600RP	5900080600RP
11. FRONT DOOR GLASS	5900200100RP	5900200100RP
12. MIRROR	5900210100RP	5900210100RP
13. THERMOSTAT KNOB	8800000300RP	8800000300RP
14. FRONT DOOR KNOB	8800320100RP	8800320100RP

WIRING DIAGRAM



EDS7001F

If unit was operating prior to servicing allow at least 10 minutes for light bulbs and heating element to cool off to avoid accidental burning of skin.

Disconnect power before attempting any maintenance or cleaning to reduce the risk of electric shock or damage to persons.

Light bulbs need to be replaced when you notice a dark section of the flame or when the clarity and detail of the log exterior disappears. There is one bulb at the top of the opening that illuminates the log set exterior and two bulbs under the log set which generate the flames and embers.

It is a good idea to replace all of the light bulbs at one time if they are close to the end of their rated life. Group replacement will reduce the number of times you need to open the unit to replace the light bulbs.

TO REPLACE THE UPPER LIGHT BULB

1. Unscrew the two black knobs on the front of the unit by turning counterclockwise.
2. Grasp onto the front door, gently lift up and pull the door off of the unit.
3. Unscrew the bulb counter clockwise.
4. Insert new bulb.
5. Install the front door over the rods, gently lifting up to engage the door into the slot in the roof.
6. Screw the two black knobs clockwise until tightened.

UPPER LIGHT BULB REQUIREMENTS

Quantity of 1 clear chandelier or candelabra bulbs with an E-12 (small) socket base, 7 watt rating.

EDS7001F

If unit was operating prior to servicing allow at least 10 minutes for light bulbs and heating element to cool off to avoid accidental burning of skin.

Disconnect power before attempting any maintenance or cleaning to reduce the risk of electric shock or damage to persons.

Light bulbs need to be replaced when you notice a dark section of the flame or when the clarity and detail of the log exterior disappears. There is one bulb at the top of the opening that illuminates the log set exterior and two bulbs under the log set which generate the flames and embers.

It is a good idea to replace all of the light bulbs at one time if they are close to the end of their rated life. Group replacement will reduce the number of times you need to open the unit to replace the light bulbs.

TO REPLACE THE LOWER LIGHT BULBS

1. Unscrew the two black knobs on the front of the unit by turning counterclockwise.
2. Grasp onto the front door, gently lift up and pull the door off of the unit.
3. Remove the screw from the logset located in the center of the emberbed and remove the logset from the unit.
4. Locate and examine the bulbs to determine which bulb(s) required replacement.
5. Unscrew the bulb(s) counter clockwise.
6. Insert new bulb(s).
7. Install the logset into the unit, pushing firmly against the glass. Replace the logset retaining screw into the ember bed.
8. Install the front door over the threaded rods, gently lifting up to engage the door into the slot in the roof.
9. Screw the two black knobs clockwise until tightened.

LOWER LIGHT BULB REQUIREMENTS

Quantity of 2 clear chandelier or candelabra bulbs with an E-12 (small) socket base, 60 watt rating. Example GE 60BC or Philips 60 CTC.

EDS7001F

If unit was operating prior to servicing allow at least 10 minutes for light bulbs and heating element to cool off to avoid accidental burning of skin.

Disconnect power before attempting any maintenance or cleaning to reduce the risk of electric shock or damage to persons.

TO REPLACE MAIN ON/OFF SWITCH

1. Unscrew the two black knobs on the front of the unit by turning counterclockwise.
2. Grasp onto the front door, gently lift up and pull the door off of the unit.
3. Remove the upper light bracket mounting screws from the top and remove the light bracket assembly from the unit.
4. Locate the four cam locks on the side panels inside the upper corners of the stove and turn with a large slot screwdriver so the triangle on the cam lock is pointing up towards the top of the stove.
5. Grasp the top at both sides and gently pull to release the top.
6. Locate the main on/off switch mounted on the rear panel and disconnect the wiring clips and connections noting their original locations.
7. Depress the retainer clips on the rear of the switch and push the switch out of the rear cover.
8. Properly orientate the new switch and connect all of the wiring clips and connections.
9. Reassemble in the reverse order as above.

EDS7001F

If the unit was operating prior to servicing allow at least 10 minutes for light bulbs and heating element to cool off to avoid accidental burning of skin.

Disconnect power before attempting any maintenance or cleaning to reduce the risk of electric shock or damage to persons.

TO REPLACE FLAME MOTOR/FLAME ROD

NOTE

Do to the partial disassembly of the stove care must be taken not to scratch any surfaces or damage any components during the repair.

1. Unscrew the two black knobs on the front of the unit by turning counterclockwise.
2. Grasp onto the front door, gently lift up and pull the door off of the unit.
3. Remove logset screw and remove logset.
4. Remove the upper light bracket mounting screws from the top and remove the light bracket assembly from the unit.
5. Locate the four cam locks on the side panels inside the upper corners of the stove and turn with a large slot screwdriver so the triangle on the cam lock is pointing up towards the top of the stove.
6. Grasp the top at both sides and gently pull to release the top.
7. Locate and remove the mirror by pulling it out of the slots being careful not to bump or drop it.
8. Remove the (2) screws from the front mirror panel.
9. Slide the rounded side panels straight up and remove both panels.
10. Remove the front mirror panel through the front of unit.
11. Remove (10) screws from back panel assembly.
12. Slide the rear panel up approximately four inches, locate and disconnect the wiring for the flame motor.

NOTE

The flame motor wires are secured in a strain relief located in the rear of the unit. The strain relief can be loosened with a flat headed screwdriver.

13. Locate the flame motor and flame rod assembly.

EDS7001F

If the unit was operating prior to servicing allow at least 10 minutes for light bulbs and heating element to cool off to avoid accidental burning of skin.

Disconnect power before attempting any maintenance or cleaning to reduce the risk of electric shock or damage to persons.

TO REPLACE FLAME MOTOR/FLAME ROD

14. Remove the flame rod from the flame motor by pulling the end of the rod to the left and cut the reflector spring with wire cutters. **DO NOT TAKE THE LEFTOVER SPRING OFF THE END OF THE REFLECTOR ROD**
15. Remove the (2) motor mounting screws with a short handled screw driver.
16. Discard the old flicker motor.
17. Pick up the 1 ½" rubber sleeve and locate over remaining spring on reflector rod. **ENSURE TO LOCATE THE LARGE OPENING OF THE RUBBER SLEEVE OVER THE REMAINING SPRING OF THE REFLECTOR ROD.**
18. Properly orientate the flame motor and connect all of the wiring clips and connections in their original locations.
19. Reassemble in the reverse order as above.

EDS7001F

If the unit was operating prior to servicing allow at least 10 minutes for light bulbs and heating element to cool off to avoid accidental burning of skin.

Disconnect power before attempting any maintenance or cleaning to reduce the risk of electric shock or damage to persons.

TO REPLACE HEATER ON/OFF SWITCH

1. Unscrew the two black knobs on the front of the unit by turning counterclockwise.
2. Grasp onto the front door, gently lift up and pull the door off of the unit.
3. Remove the upper light bracket mounting screws from the top and remove the light bracket assembly from the unit.
4. Locate the four cam locks on the side panels inside the upper corners of the stove and turn with a large slot screwdriver so the triangle on the cam lock is pointing up towards the top of the stove.
5. Grasp the top at both sides and gently pull to release the top.
6. Locate the heater on/off switch mounted on the rear panel and disconnect the wiring clips and connections noting their original locations.
7. Depress the retainer clips on the rear of the switch and push the switch out of the rear cover.
8. Properly orientate the new switch and connect all of the wiring clips and connections.
9. Reassemble in the reverse order as above.

EDS7001F

If the unit was operating prior to servicing allow at least 10 minutes for light bulbs and heating element to cool off to avoid accidental burning of skin.

Disconnect power before attempting any maintenance or cleaning to reduce the risk of electric shock or damage to persons.

TO REPLACE HEATER THERMOSTAT

1. Unscrew the two black knobs on the front of the unit by turning counterclockwise.
2. Grasp onto the front door, gently lift up and pull the door off of the unit.
3. Remove the upper light bracket mounting screws from the top and remove the light bracket assembly from the unit.
4. Locate the four cam locks on the side panels inside the upper corners of the stove and turn with a large slot screwdriver so the triangle on the cam lock is pointing up towards the top of the stove.
5. Grasp the top at both sides and gently pull to release the top.
6. Locate the heater thermostat mounted on the rear panel and disconnect the wiring clips and connections noting their original locations.
7. Pull off the thermostat control knob to expose the mounting screws.
8. Remove the mounting screws and remove the heater thermostat.
9. Properly orientate the new heater thermostat and connect all of the wiring clips and connections.
10. Reassemble in the reverse order as above.

EDS7001F

If the unit was operating prior to servicing allow at least 10 minutes for light bulbs and heating element to cool off to avoid accidental burning of skin.

Disconnect power before attempting any maintenance or cleaning to reduce the risk of electric shock or damage to persons.

TO REPLACE POWER CORD

1. Unscrew the two black knobs on the front of the unit by turning counterclockwise.
2. Grasp onto the front door, gently lift up and pull the door off of the unit.
3. Remove the upper light bracket mounting screws from the top and remove the light bracket assembly from the unit.
4. Locate the four cam locks on the side panels inside the upper corners of the stove and turn with a large slot screwdriver so the triangle on the cam lock is pointing up towards the top of the stove.
5. Grasp the top at both sides and gently pull to release the top.
6. Locate the main on/off switch mounted on the rear panel and disconnect the wiring connections noting their original locations.
7. Remove (10) screws from back panel assembly.
8. Slide the rear panel up approximately four inches.
9. Locate and remove the wiring connections for the power cord.
10. With needle nose pliers grasp the power cord strain relief grommet from inside the rear cover and push while twisting to remove.
11. Pull the old power cord out through the rear cover.
12. Install the power cord retaining grommet on the power cord and insert into the hole in the rear cover.
13. Reconnect all of the wiring clips and connections.

NOTE

The wires that require to be wire connected together are secured in a strain relief. The strain relief can be loosened with a flat headed screwdriver.

14. Reassemble in the reverse order as above.

EDS7001F

If the unit was operating prior to servicing allow at least 10 minutes for light bulbs and heating element to cool off to avoid accidental burning of skin.

Disconnect power before attempting any maintenance or cleaning to reduce the risk of electric shock or damage to persons.

TO REPLACE THE HEATER ASSEMBLY

NOTE

Do to the partial disassembly of the stove care must be taken not to scratch any surfaces or damage any components during the repair.

1. Unscrew the two black knobs on the front of the unit by turning counterclockwise.
2. Grasp onto the front door, gently lift up and pull the door off of the unit.
3. Remove logset screw and remove logset.
4. Remove the upper light bracket mounting screws from the top and remove the light bracket assembly from the unit.
5. Locate the four cam locks on the side panels inside the upper corners of the stove and turn with a large slot screwdriver so the triangle on the cam lock is pointing up towards the top of the stove.
6. Grasp the top at both sides and gently pull to release the top.
7. Locate and remove the mirror by pulling it out of the slots being careful not to bump or drop it.
8. Remove (10) screws from back panel assembly.
9. Locate the main on/off switch mounted on the rear panel and disconnect the wiring connections noting their original locations.
10. Remove the (2) screws from the front mirror panel.
11. Slide the rounded side panels straight up and remove both panels.
12. Remove the front mirror panel through the front of unit.
13. Remove (2) rear nylon clips from bottom panel.
14. Loosen strain relief with flat headed screwdriver located on bottom of unit.
15. Locate and remove the two screws in front of the light bulbs from the main component panel.

EDS7001F

If the unit was operating prior to servicing allow at least 10 minutes for light bulbs and heating element to cool off to avoid accidental burning of skin.

Disconnect power before attempting any maintenance or cleaning to reduce the risk of electric shock or damage to persons.

TO REPLACE THE HEATER ASSEMBLY

16. Remove the flame rod/flame motor assembly thru the rear of the unit.
17. Remove the front grill.
18. Remove the front panel screws from both side panels using a short handled screwdriver.
19. Locate and remove all of the heater assembly retaining screws from the blower mounting panel.
20. Disconnect the wiring clips and connections noting their original locations and remove the heater assembly.
21. Properly orientate the heater assembly and connect all of the wiring clips and connections in their original locations.
22. Reassemble in the reverse order as above.