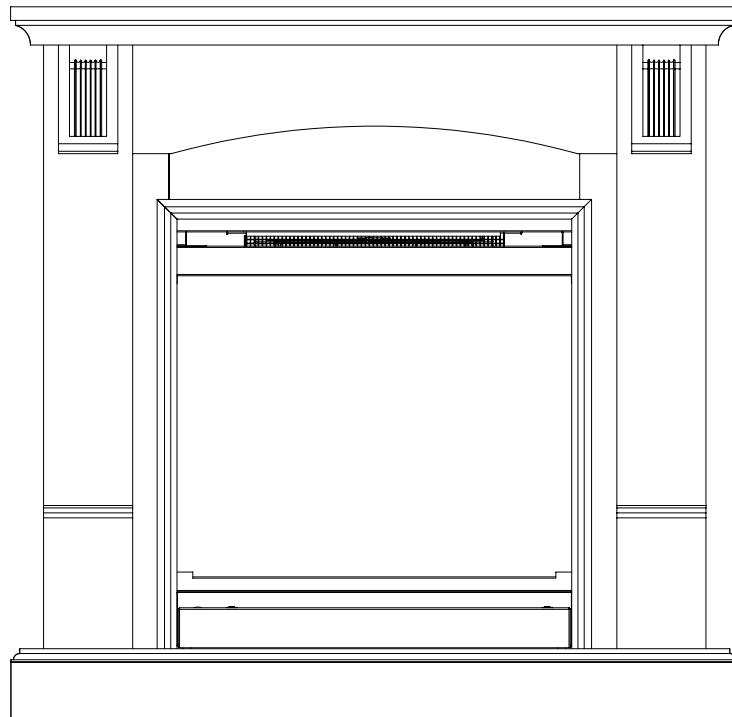


PARTS & SERVICE MANUAL FOR THE COMPACT FIREPLACE



Dimplex[®]

TABLE OF CONTENTS

OPERATION	PAGE 1
PARTS DRAWING	PAGE 2
PARTS LIST	PAGE 3
WIRING DIAGRAM	PAGE 5
LIGHT BULB REPLACEMENT	PAGE 6
MAIN ON/OFF SWITCH REPLACEMENT	PAGE 7
HEAT ON/OFF SWITCH REPLACEMENT	PAGE 8
THERMOSTAT CONTROL REPLACEMENT	PAGE 9
FLAME MOTOR/FLAME ROD REPLACEMENT	PAGE 10
HEATER ASSEMBLY REPLACEMENT	PAGE 11
POWER CORD REPLACEMENT	PAGE 12
MIRROR REPLACEMENT	PAGE 13

OPERATION

To access the controls, swing down the front cover panel located on the lower front of the Fireplace (refer to diagram below).

A. MAIN ON/OFF SWITCH

The on/off switch supplies power to all unit functions (heat/flame)

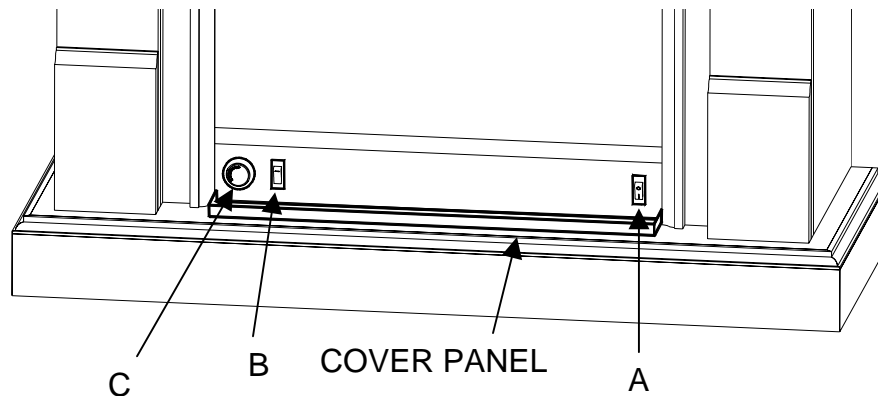
B. HEATER ON/OFF SWITCH

The HEATER ON/OFF SWITCH supplies power to the heater fan and the heater element.

C. HEATER THERMOSTAT CONTROL

To adjust the temperature to your individual requirements, turn the thermostat control clockwise all the way to turn on the heater. When the room reached the desired temperature, turn the thermostat knob counter clockwise until you hear a click. Leave in this position to maintain the room temperature at this setting. For additional heat, turn clockwise until you hear the click again and the heater will turn on. To turn the heater off, switch the HEATER ON/OFF SWITCH to the OFF position.

NOTE: When the heater is switched ON, the heater fan will operate. The heater element may or may not be on, depending on the thermostat control setting (SEE "HEATER THERMOSTAT CONTROL").

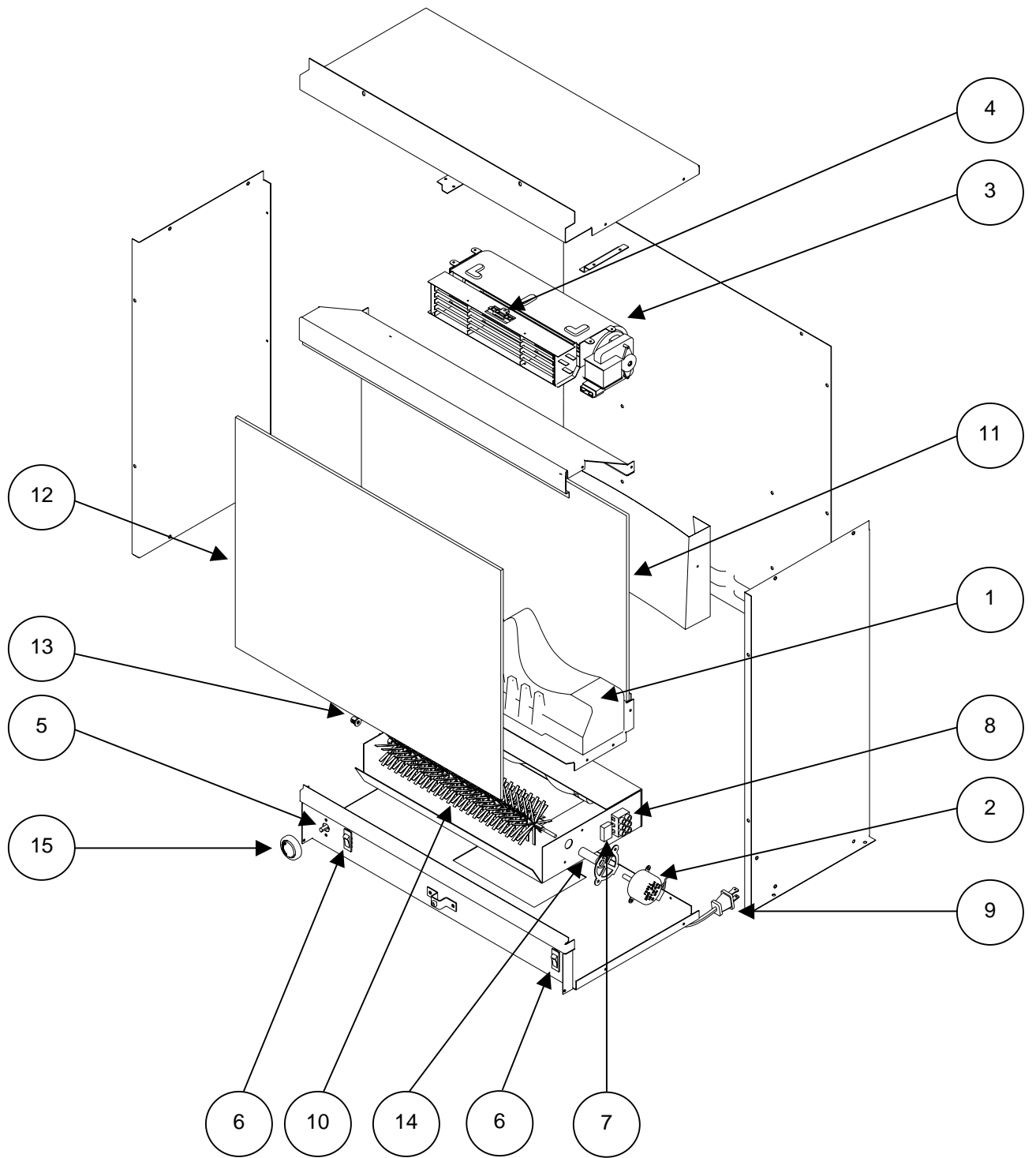


RESETTING THE TEMPERATURE CUTOFF SWITCH

This unit is equipped with a thermostat, which controls the temperature of the room. It does this by turning the heater on and off. The heater is protected with a safety device to prevent overheating. Should the heater overheat, an automatic cut out will turn the heater off and it will not come back on without being reset. It can be reset by switching the ON/OFF SWITCH to OFF and waiting 5 minutes before switching the unit back on.

CAUTION

If you need to continuously reset the heater, unplug the unit and call Dimplex North America Limited at 1-800-668-6663.



REPLACEMENT PARTS

COMPACT FIREPLACE

PART NO.
MOD LEVEL:
MADE IN:

6901860100
NONE
CHINA

6901860200
NONE
CHINA

REPLACEMENT PART

1. LOGSET
2. FLICKER MOTOR
3. HEATER ASSEMBLY
4. CUTOFF
5. THERMOSTAT
6. ON/OFF SWITCH
7. CAPACITOR
8. TERMINAL BLOCK
9. CORD SET
10. REFLECTOR ASSEMBLY
11. MIRROR
12. FRONT GLASS
13. BUSHING, SNAP-IN
14. FLICKER CONNECTOR
15. CONTROL KNOB
16. LAMP HOLDER ASSEMBLY
17. HEYCO STRAIN RELIEF

REPLACEMENT PART NO.

- | | |
|---------------|---------------|
| 0438270100RP | 0438270100RP |
| 2000220100RP | 2000220100RP |
| 2200490300RP | 2200490300RP |
| 2300270100RP | 2300270100RP |
| 2300150100RP* | 2300150100RP* |
| 2800070200RP | 2800070200RP |
| 3200030100RP | 3200030100RP |
| 4000070100RP | 4000070100RP |
| 4100090104RP | 4100090104RP |
| 5900340100RP | 5900340100RP |
| 5900410100RP | 5900560100RP |
| 5900420100RP | 5900420100RP |
| 8500000400RP | 8500000400RP |
| 8500680100RP | 8500680100RP |
| 8800000300RP | 8800000300RP |
| 4200120800RP | 4200120800RP |
| 8500260003RP | 8500260003RP |

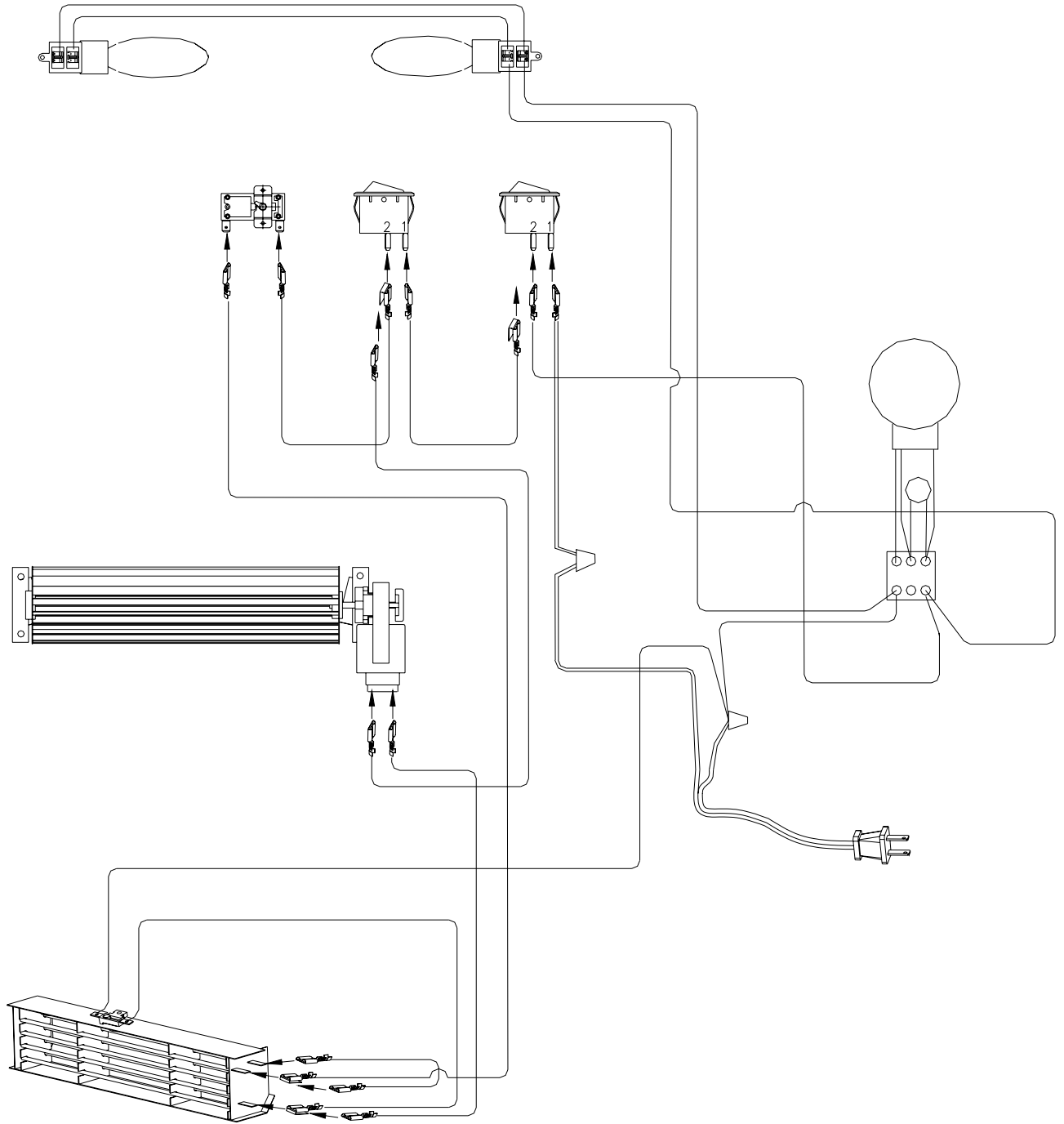
REPLACEMENT PARTS

COMPACT FIREPLACE

PART NO. 6901860300
MOD LEVEL: NONE
MADE IN: CHINA

REPLACEMENT PART	REPLACEMENT PART NO.
1. LOGSET	0438270100RP
2. FLICKER MOTOR	2000220100RP
3. HEATER ASSEMBLY	2200490300RP
4. CUTOUT	2300270100RP
5. THERMOSTAT	2300150100RP*
6. ON/OFF SWITCH	2800070200RP
7. CAPACITOR	3200030100RP
8. TERMINAL BLOCK	4000070100RP
9. CORD SET	4100090104RP
10. REFLECTOR ASSEMBLY	5900340100RP
11. MIRROR	5900560100RP
12. FRONT GLASS	5900420100RP
13. BUSHING, SNAP-IN	8500000400RP
14. FLICKER CONNECTOR	8500680100RP
15. CONTROL KNOB	8800000300RP
16. LAMP HOLDER ASSEMBLY	4200120800RP
17. HEYCO STRAIN RELIEF	8500260003RP

WIRING DIAGRAM



If unit was operating prior to servicing allow at least 10 minutes for light bulbs and heating element to cool off to avoid accidental burning of skin.

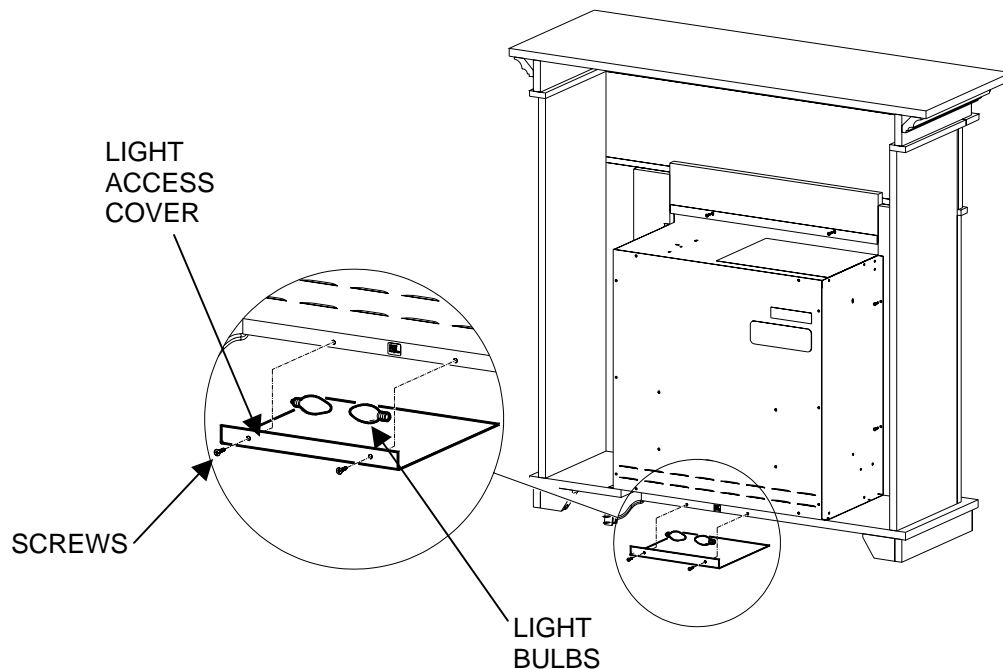
Disconnect power before attempting any maintenance or cleaning to reduce the risk of electric shock or damage to persons.

Light bulbs need to be replaced when you notice a dark section of the flame. There are four bulbs under the log set which generate the flames and embers.

It is a good idea to replace all of the light bulbs at one time if they are close to the end of their rated life. Group replacement will reduce the number of times you need to open the unit to replace the light bulbs.

LOWER BULB REPLACEMENT

1. Unplug the unit from power outlet.
2. On the back of the Compact Fireplace remove the screws from the light access cover.
3. Remove the light access cover.
4. Reach into the opening, locate and examine the bulbs to determine which bulb(s) required replacement.
5. Unscrew the bulb(s) counter clockwise.
6. Insert new bulb(s).
7. Install the light access cover and install the screws.



LOWER LIGHT BULB REQUIREMENTS

Quantity of 4 clear chandelier or candelabra bulbs with an E-12 (small) socket base, 60 watt rating.

If unit was operating prior to servicing allow at least 10 minutes for light bulbs and heating element to cool off to avoid accidental burning of skin.

Disconnect power before attempting any maintenance or cleaning to reduce the risk of electric shock or damage to persons.

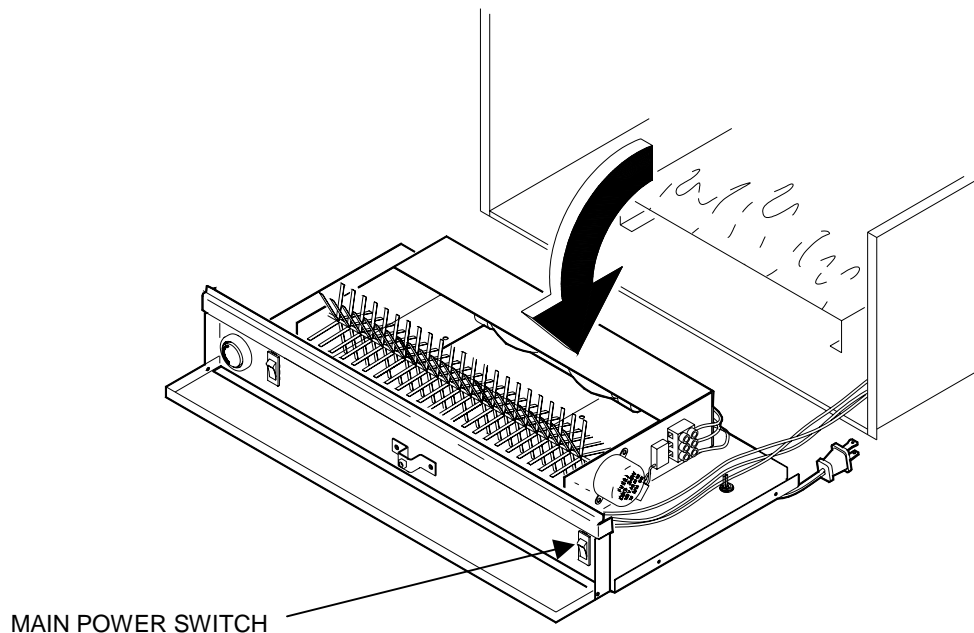
TO REPLACE MAIN POWER SWITCH

1. Unplug the unit from power outlet.
2. On the back of the unit, remove the 10 screws along the top, sides and bottom from the Compact Fireplace, and the 2 screws from the light access cover that secure it to the mantel.
3. Carefully remove the Compact Fireplace from the mantel holding onto the front glass so that it does not move.

WARNING

The front glass is held to the Compact Fireplace with double sided tape and could come apart when separated from the mantel

4. Remove the front glass and set aside.
5. Remove the log set screw and remove the log set.
6. Lay the Compact Fireplace on its back.
7. Remove the 4 bottom access panel screws and separate the bottom access panel from the unit.
8. Locate the Main Power switch and disconnect the wiring connections noting their original locations.
9. Depress the retainer clips on the rear of the switch and push the switch out of the bottom access panel.
10. Properly orientate the new switch and connect all of the wiring connections.
11. Reassemble in the reverse order as above.



If unit was operating prior to servicing allow at least 10 minutes for light bulbs and heating element to cool off to avoid accidental burning of skin.

Disconnect power before attempting any maintenance or cleaning to reduce the risk of electric shock or damage to persons.

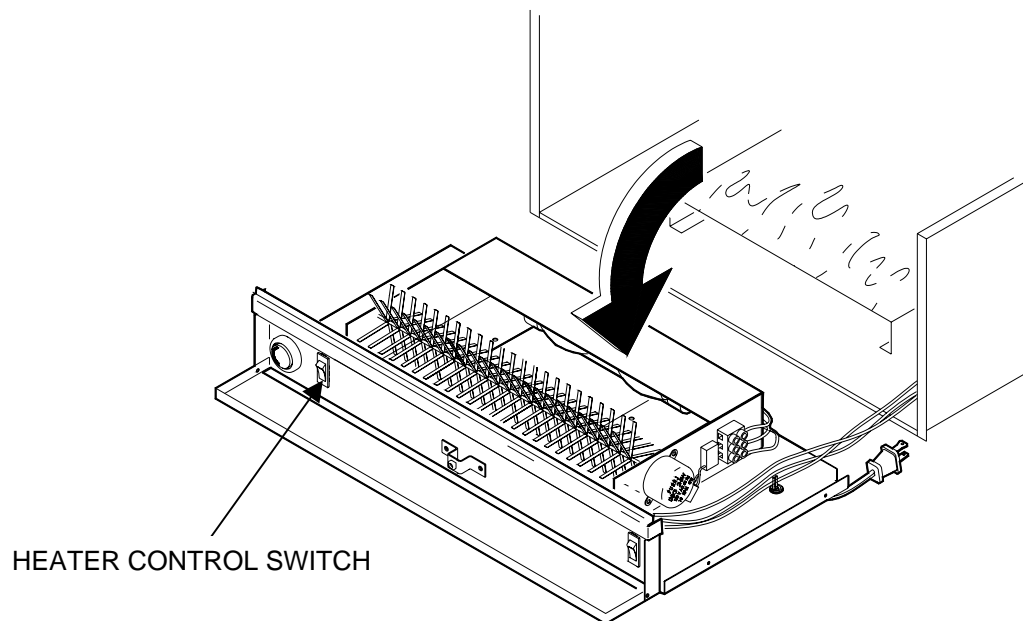
TO REPLACE HEATER CONTROL SWITCH

1. Unplug the unit from power outlet.
2. On the back of the unit, remove the 10 screws along the top, sides and bottom from the Compact Fireplace, and the 2 screws from the light access cover that secure it to the mantel.
3. Carefully remove the Compact Fireplace from the mantel holding onto the front glass so that it does not move.

WARNING

The front glass is held to the Compact Fireplace with double sided tape and could come apart when separated from the mantel

4. Remove the front glass and set aside.
5. Remove the log set screw and remove the log set.
6. Lay the Compact Fireplace on its back.
7. Remove the 4 bottom access panel screws and separate the bottom access panel from the unit.
8. Locate the Heater control switch and disconnect the wiring connections noting their original locations.
9. Depress the retainer clips on the rear of the switch and push the switch out of the bottom access panel.
10. Properly orientate the new switch and connect all of the wiring connections.
11. Reassemble in the reverse order as above.



If unit was operating prior to servicing allow at least 10 minutes for light bulbs and heating element to cool off to avoid accidental burning of skin.

Disconnect power before attempting any maintenance or cleaning to reduce the risk of electric shock or damage to persons.

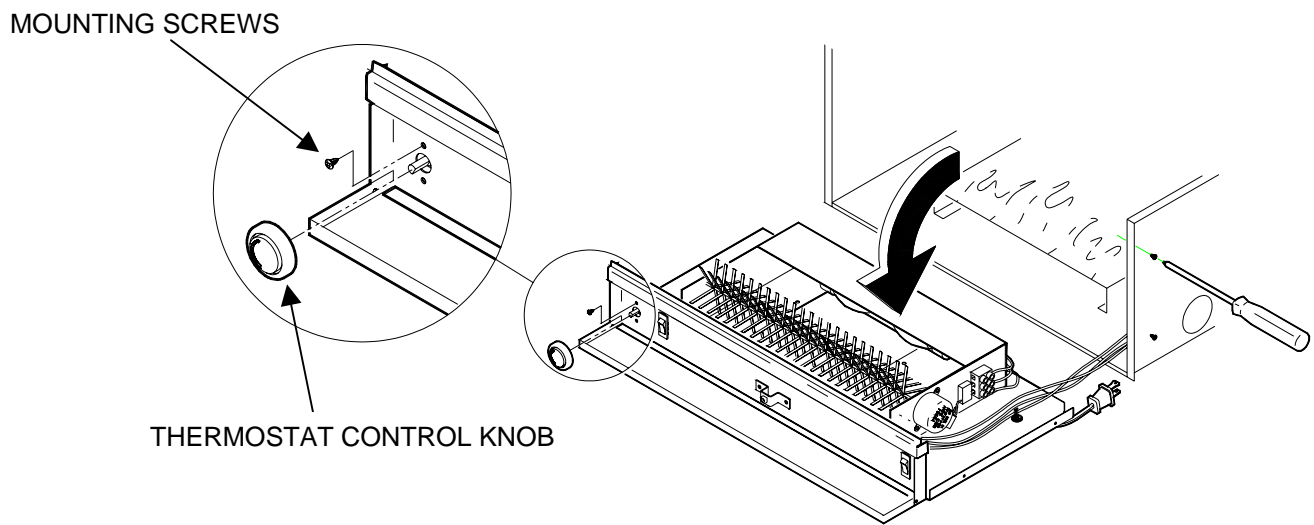
TO REPLACE THERMOSTAT CONTROL

1. Unplug the unit from power outlet.
2. On the back of the unit, remove the 10 screws along the top, sides and bottom from the Compact Fireplace, and the 2 screws from the light access cover that secure it to the mantel.
3. Carefully remove the Compact Fireplace from the mantel holding onto the front glass so that it does not move.

WARNING

The front glass is held to the Compact Fireplace with double sided tape and could come apart when separated from the mantel

4. Remove the front glass and set aside.
5. Remove the log set screw and remove the log set.
6. Lay the Compact Fireplace on its back.
7. Remove the 4 bottom access panel screws and separate the bottom access panel from the unit.
8. Locate the thermostat control and pull off the thermostat control knob to expose the mounting screws.
9. Remove the mounting screws.
10. Disconnect the wiring connections noting their original locations and remove the thermostat control switch.
11. Properly orientate the new thermostat control switch and reconnect all wiring connections.
12. Reassemble in the reverse order as above.



If unit was operating prior to servicing allow at least 10 minutes for light bulbs and heating element to cool off to avoid accidental burning of skin.

Disconnect power before attempting any maintenance or cleaning to reduce the risk of electric shock or damage to persons.

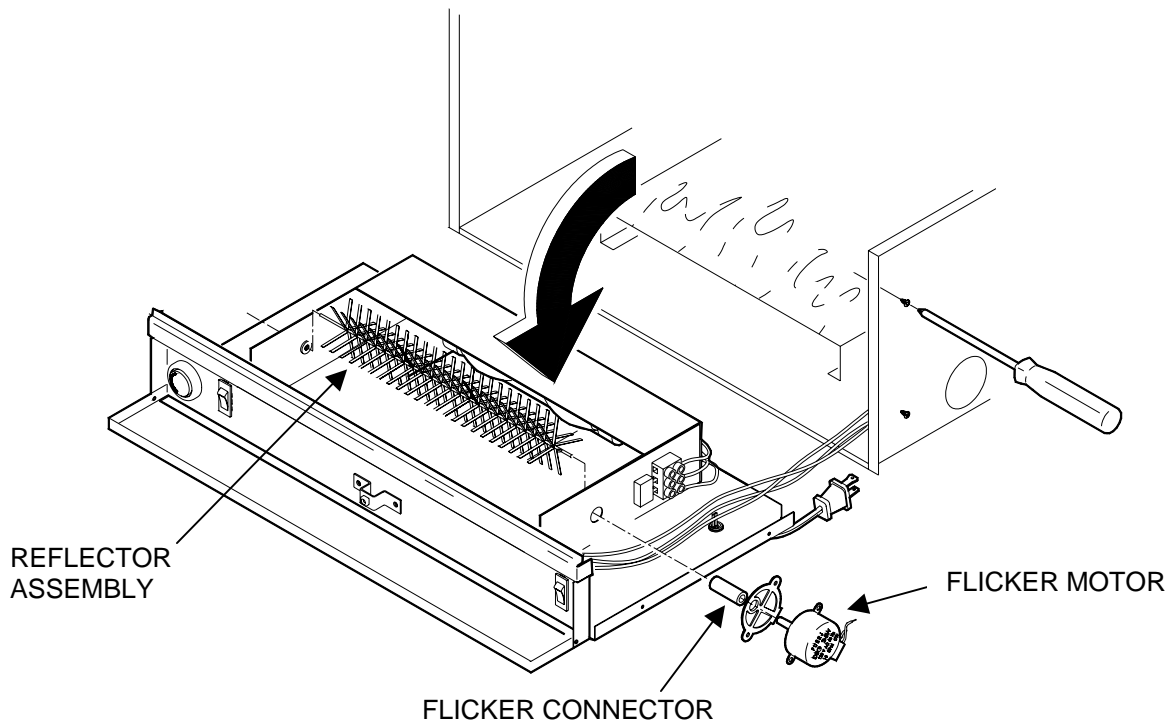
TO REPLACE FLICKER MOTOR/REFLECTOR ASSEMBLY

1. Unplug the unit from power outlet.
2. On the back of the unit, remove the 10 screws along the top, sides and bottom from the Compact Fireplace, and the 2 screws from the light access cover that secure it to the mantel.
3. Carefully remove the Compact Fireplace from the mantel holding onto the front glass so that it does not move.

WARNING

The front glass is held to the Compact Fireplace with double sided tape and could come apart when separated from the mantel

4. Remove the front glass and set aside.
5. Remove the log set screw and remove the log set.
6. Lay the Compact Fireplace on its back.
7. Remove the 4 bottom access panel screws and separate the bottom access panel from the unit.
8. Locate and disconnect the 3 motor assembly wires going to the terminal block.
9. Remove the 2 motor mounting screws.
10. Separate the motor from the flicker connector and remove.
11. Slide the reflector assembly out of the snap-in bushing and remove.
12. Reassemble in the reverse order as above.



If unit was operating prior to servicing allow at least 10 minutes for light bulbs and heating element to cool off to avoid accidental burning of skin.

Disconnect power before attempting any maintenance or cleaning to reduce the risk of electric shock or damage to persons.

TO REPLACE HEATER ASSEMBLY

1. Unplug the unit from power outlet.
2. On the back of the unit, remove the 10 screws along the top, sides and bottom from the Compact Fireplace, and the 2 screws from the light access cover that secure it to the mantel.
3. Carefully remove the Compact Fireplace from the mantel holding onto the front glass so that it does not move.

WARNING

The front glass is held to the Compact Fireplace with double sided tape and could come apart when separated from the mantel

4. Remove the front glass and set aside.
5. Remove the 2 screws on the top panel that are closest to the front of the unit.
6. Remove the top panel screws and lift off the top panel.
7. Disconnect heater assembly wires noting their original locations.
8. Remove the 4 screws on the top panel that secure the heater assembly
9. Remove the 2 heater brackets and install them on the new heater assembly.
10. Properly orientate the new heater assembly and connect all of the wiring.

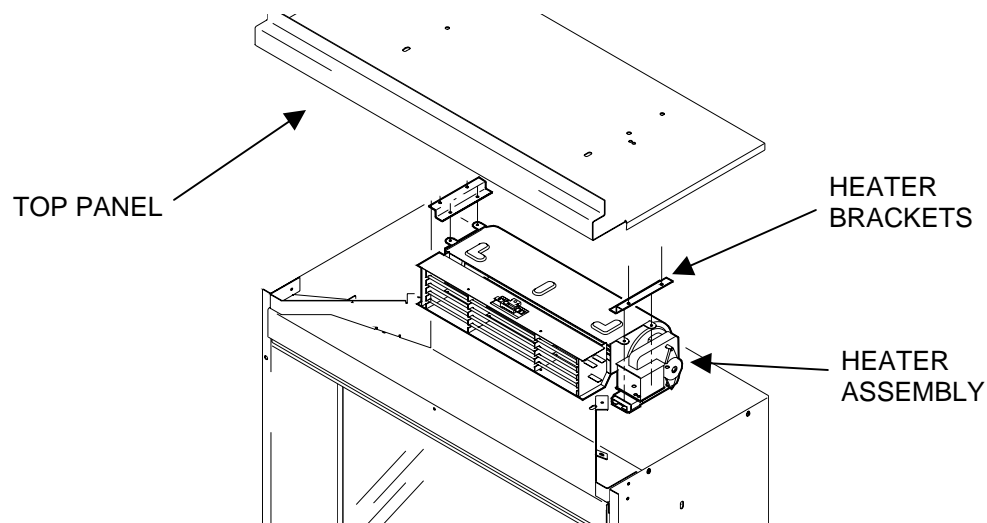
WARNING

Ensure wires do not come in contact with moving parts by securing wires in wiring tie wraps.

NOTE

When re-installing the bottom heater pan, ensure that the heater assembly wires are clear of the blower wheel. Additional wiring tie wraps may be required.

11. Reassemble in the reverse order as above.



If unit was operating prior to servicing allow at least 10 minutes for light bulbs and heating element to cool off to avoid accidental burning of skin.

Disconnect power before attempting any maintenance or cleaning to reduce the risk of electric shock or damage to persons.

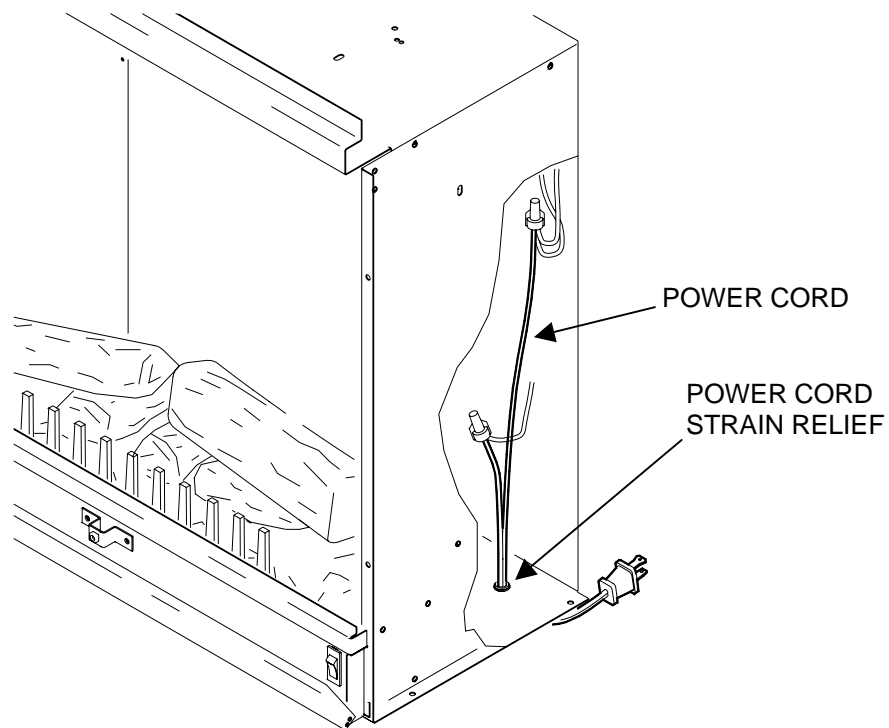
TO REPLACE POWER CORD

1. Unplug the unit from power outlet.
2. On the back of the unit, remove the 10 screws along the top, sides and bottom from the Compact Fireplace, and the 2 screws from the light access cover that secure it to the mantel.
3. Carefully remove the Compact Fireplace from the mantel holding onto the front glass so that it does not move.

WARNING

The front glass is held to the Compact Fireplace with double sided tape and could come apart when separated from the mantel

4. Remove the front glass and set aside.
5. Remove the log set screw and remove the log set.
6. Lay the Compact Fireplace on its back.
7. Locate and disconnect the power cord wiring connections noting their original locations.
8. With needle nose pliers, grasp the power cord strain relief grommet from inside the back of the bottom panel and push while twisting to remove.
9. Install the new power cord.



If unit was operating prior to servicing allow at least 10 minutes for light bulbs and heating element to cool off to avoid accidental burning of skin.

Disconnect power before attempting any maintenance or cleaning to reduce the risk of electric shock or damage to persons.

TO REPLACE MIRROR

1. Unplug the unit from power outlet.
2. On the back of the unit, remove the 10 screws along the top, sides and bottom from the Compact Fireplace, and the 2 screws from the light access cover that secure it to the mantel.
3. Carefully remove the Compact Fireplace from the mantel holding onto the front glass so that it does not move.

WARNING

The front glass is held to the Compact Fireplace with double sided tape and could come apart when separated from the mantel

4. Remove the front glass and set aside.
5. Remove the 2 screws on the top panel that are closest to the front of the unit.
6. Remove the top panel screws and lift off the top panel.
7. Disconnect heater assembly wires noting their original locations.
8. Remove mirror from unit.
9. Reassemble in the reverse order as above.

