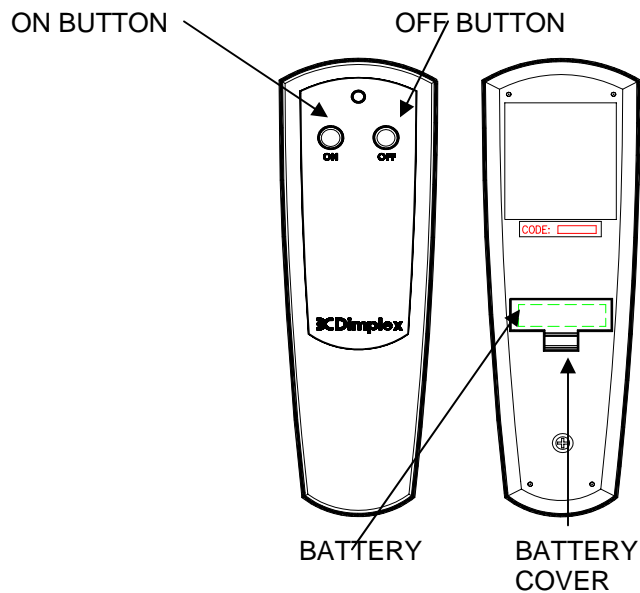
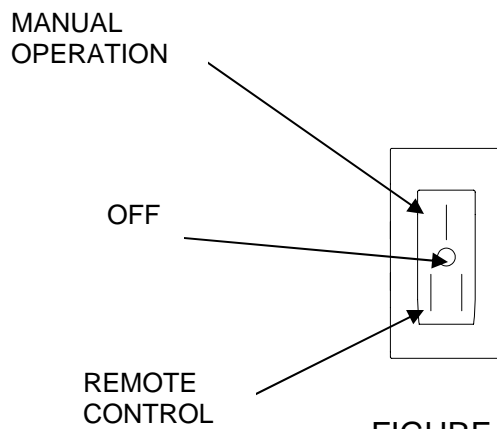


OPERATION

The fireplace is supplied with a radio frequency remote control. This remote control has a range of approximately 50 feet. (15.25m), it does not have to be pointed at the fireplace and can pass through most obstacles (including walls).

1. Activate the fireplace 3 position switch is set to the remote control setting (FIGURE 1).
2. To operate, push the ON button to turn fireplace on, push the OFF button to turn the fireplace off.

FIGURE 1



BATTERY REPLACEMENT

1. To replace the battery, slide battery cover open on the hand held transmitter.
2. Correctly install one 12-volt (A23) battery in the battery holder.
3. Close the battery cover.

TROUBLESHOOTING

If the remote control is not responding;

1. Check if the fireplace plug is fully inserted into the outlet.
2. Replace the hand held transmitter battery. see BATTERY REPLACEMENT.
3. Check the electrical panel to see if the circuit breaker is on position. If you need to continuously reset the circuit breaker, you may be overloading the circuit. Try another outlet or circuit.
4. If the remote turns on or off by itself or if the remote control is interfering with the operation of other remote control devices (TV, VCR, garage doors etc.); A replacement hand held transmitter may be required with a different frequency code. Contact your dealer with your current remote frequency code for replacement.