

OPERATION

The fireplace is supplied with a radio frequency remote control. This remote control has a range of approximately 50 feet. (15.25m), it does not have to be pointed at the fireplace and can pass through most obstacles (including walls).

1. Activate the fireplace 3 position switch is set to the remote control setting (FIGURE 1).
2. To operate, push the ON button to turn fireplace on, push the OFF button to turn the fireplace off.

FIGURE 1

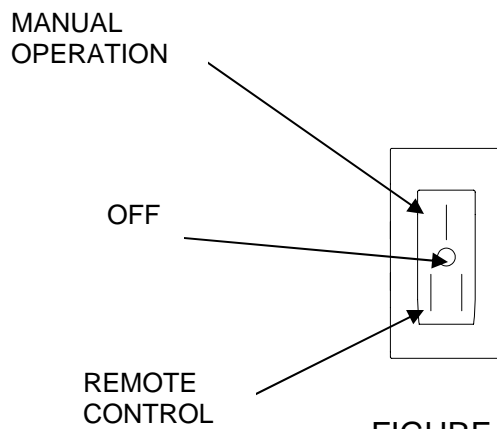
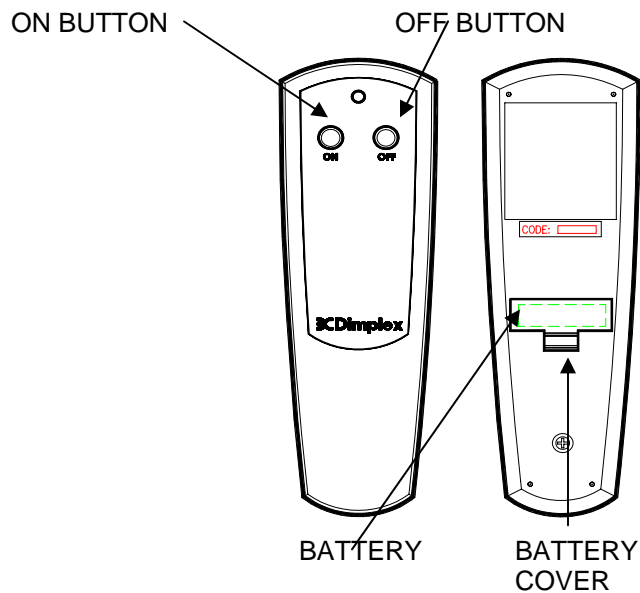


FIGURE 1



BATTERY REPLACEMENT

1. To replace the battery, slide battery cover open on the hand held transmitter.
2. Correctly install one 12-volt (A23) battery in the battery holder.
3. Close the battery cover.