

INITIALIZATION / INSTALLATION

REMOTE CONTROL

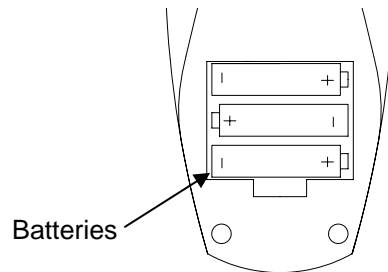
The remote control has a range of approximately 50 ft. (15.25m); it does not have to be pointed at the fireplace and can pass through most obstacles (including walls). It is supplied with 243 independent frequencies to prevent interference with other units.

BATTERY INSTALLATION


1. Depress tab on the battery cover on the back of the remote transmitter and remove battery cover.
2. Install 3 AAA batteries into the remote control. (Included)
3. Replace the battery cover.

NOTE





The remote transmitter has a battery backup time of 24 hours. The batteries can be removed for up to 24 hours before the transmitter will require re-initialization.



NOTE

When the **Low Battery** icon  is present on the remote control it is recommended to replace the batteries promptly, to maintain full functionality of the remote/fireplace.

INITIALIZING THE REMOTE CONTROL

1. Plug cord into 120 volt wall outlet.
2. Turn ON the electrical power at the circuit breaker.
3. Ensure the Main On/Off switch located inside the fireplace in the upper right hand corner is in the ON position.
4. Set the 3 position manual control to the **Remote** position (left position).
5. Press and hold the initialization button on the unit.
6. While holding the initialization button, press the flame/heat ON/OFF  button or the Purifire™ ON/OFF  button on the remote control transmitter.
7. Release the initialization button on the unit.
8. Press the Flame/Heat On/Off button  to turn the Flame/Heat function ON or press the Purifire™ On/Off button  to turn the Purifire™ function ON.

