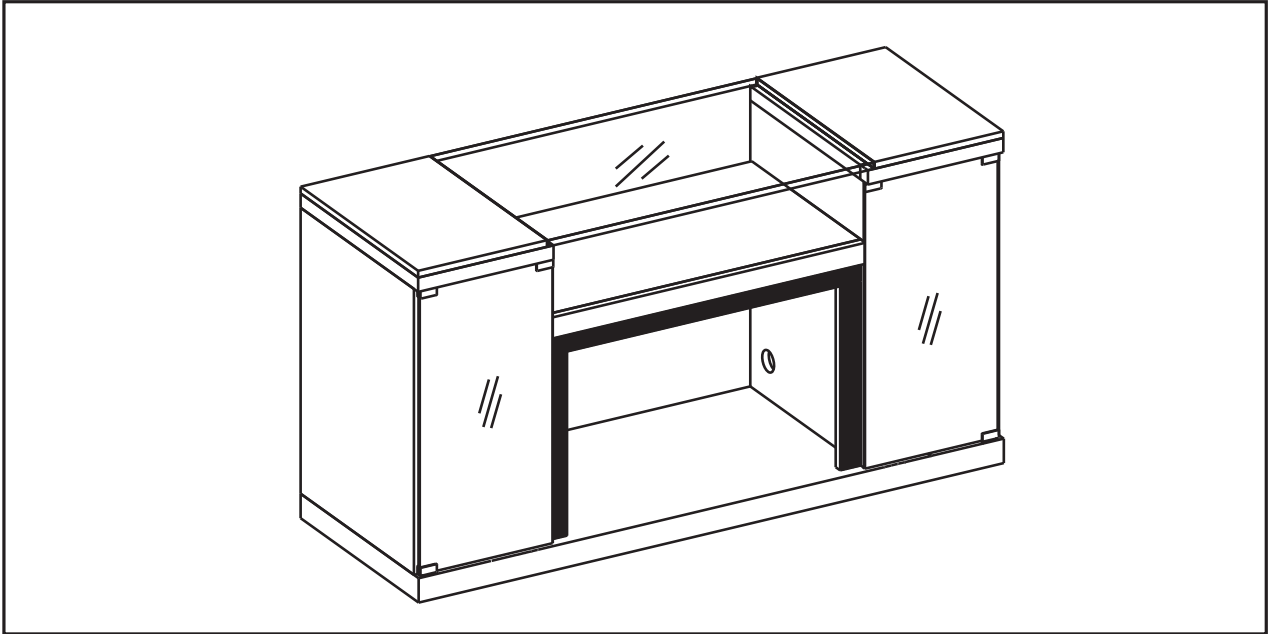


MEDIA CABINET

26MM8404

ASSEMBLY INSTRUCTIONS



PART	PARTS LIST DESCRIPTION	QUANTITY
PARTS		
A	Hearth/Base	1
B	Center Left Side Panel	1
C	Center Right Side Panel	1
D	Center Shelf	1
E	Left Side Panel	1
F	Right Side Panel	1
G	Left Top Panel	1
U	Right Top Panel	1
H	Wood Shelf	4
I	Left Front Panel	1
J	Right Front Panel	1
P	Left Glass Door	1
V	Right Glass Door	1
R	Side Back Panel	2
S	Glass Top Panel	1
HARDWARE		
K	Pivot Hinge	4
L	Bolt 1/4"x1-1/4"	24+1 extra
M	Flat Washer	24+1 extra
N	Wood Dowel	20+1 extra
O	Shelf Pin	16
Q1	Screw	34
Q2	Screw	8
T	Magnetic Spring Catch	2
Z	Touch-Up Pen	1

For Customer Service:

E-mail: parts@twinstarhome.com
In English call: 866-661-1218
In French call: 866-374-9203
In Spanish call: 866-661-1218

ATTENTION

**ALSO Requires-Electric
Fireplace Insert with Heater**

Twin-Star International, Inc.
Delray Beach, FL 33445

E-1 Made in China
Printed in China

PLEASE READ AND FOLLOW ALL SAFETY TIPS

GETTING STARTED

1. Before assembly, CAREFULLY use scissors or utility knife to cut and unwrap all parts. Make sure you do not discard the hardware.
2. Make sure that you have all the parts listed. If you are missing any parts please email Customer Service: parts@twinstarhome.com or call 1-866-661-1218 in English, 1-866-374-9203 in French or 1-866-661-1218 in Spanish. Please identify the parts you need and model number. Make sure to include your name and address.



CAUTION:

DO NOT MOVE MANTEL OR INSERT WHILE PLUGGED INTO POWER SUPPLY.

HELPFUL HINTS

- Some steps are more easily handled with two adults.
- Attach the fireplace insert to the completed wood mantel last. INSTALL INSERT IN FROM THE BACK OF THE FIREPLACE SO AS NOT TO SCRATCH THE HEARTH/BASE.
- Use care in assembling your new fireplace, take your time and use the hardware provided and a quality Phillips head screwdriver. NEVER OVER TIGHTEN BOLTS.
- Do not sit on any part of the mantel.

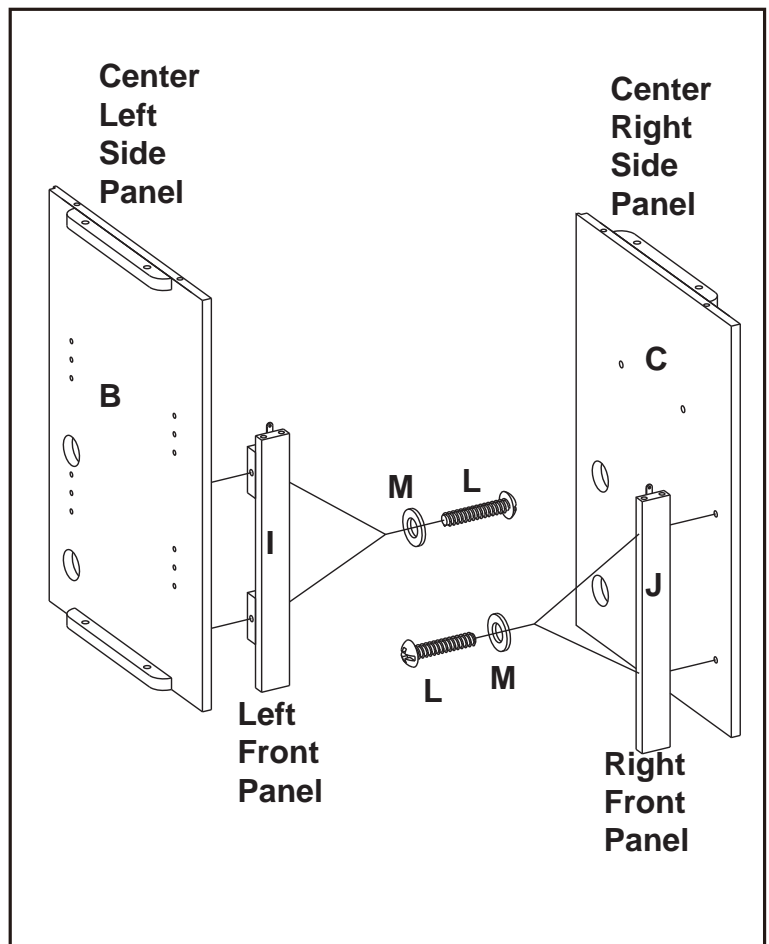
CARE & CLEANING

1. Dust your fireplace regularly with a soft non-lint producing cloth or household dusting product.
2. You can clean your fireplace with a gentle non-abrasive household cleaner. Make sure to dry your fireplace immediately with a soft cloth or towel.

For a complete tight fit every bolt should have a flat washer.

All panels are labeled Left and Right as viewed from the front of unit.

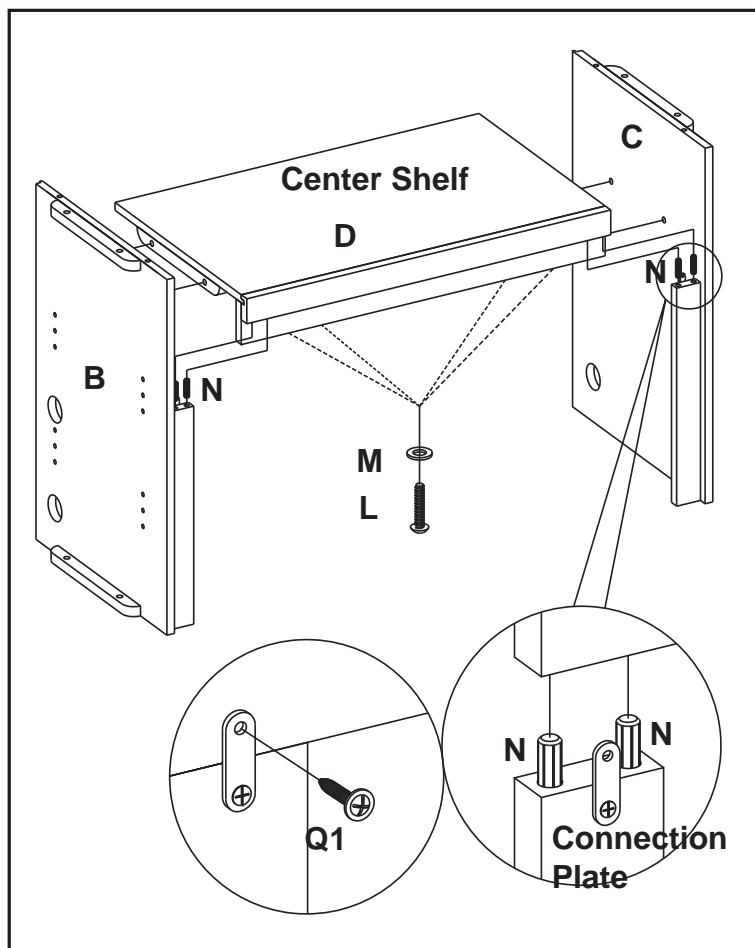
1. Locate Center Left Side Panel (B) and Left Front Panel (I) and set out on a scratch free surface. Align the holes in the Center Left Side Panel with the mounting blocks on the Left Front Panel and attach using Bolts (L) and Washers (M) through the pre-drilled holes. **HAND TIGHTEN ONLY.** Repeat with Right Front Panel (J) and Center Right Side Panel (C)



2. Locate Center Left Side Panel (B) and Center Right Side Panel (C) from step 1, Center Shelf (D) and set out on a scratch free surface. Insert one Wood Dowel (N) into each of the pre-drilled holes. Push Center Left Side Panel (B) and Right Side Panel (C) snug to Center Shelf (D). Make sure the Wood Dowel are seated in the pre-drilled holes. Insert Bolts (L) and Washers (M) into the holes in the mounting blocks.

HAND TIGHTEN ONLY.

3. Connect the Left Front Panel (B), Right Front Panel (C) and Center Shelf (D) with Connection Plate, tighten Screws (Q1) through the pre-drilled holes.

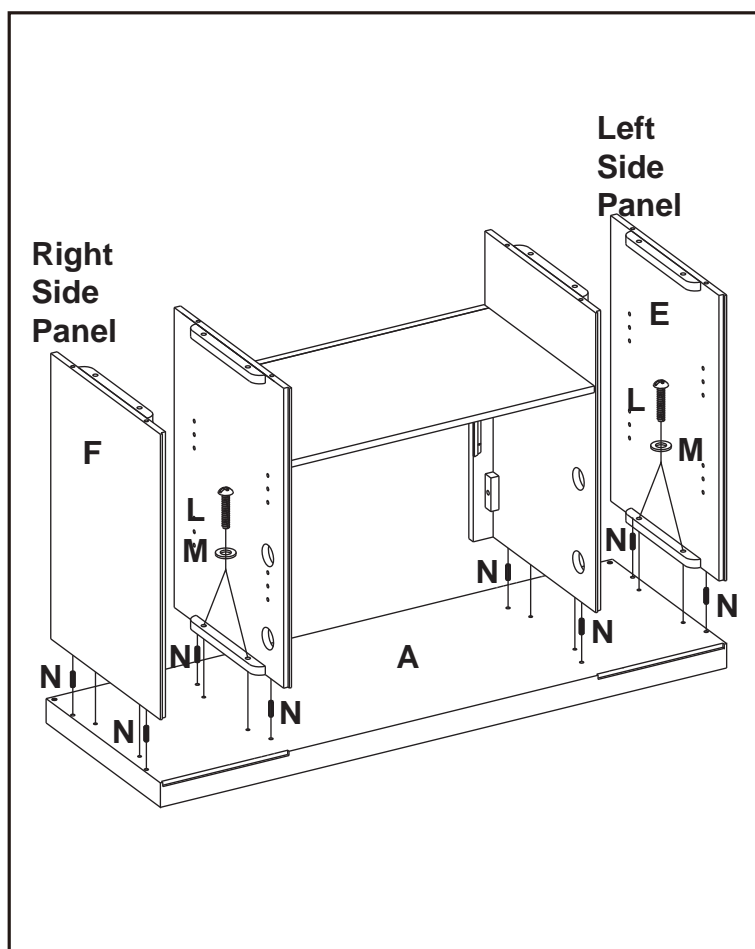


4. Locate Hearth/Base (A) and set out finished side up on the floor.
5. Insert one Wood Dowel (N) into each of the pre-drilled holes.
6. Attach the Completed assembly from step 3 to the Hearth/Base (A). Make sure that dowels are seated into the pre-drilled holes in the Hearth/Base. Using Bolts (L) and Washers (M) attach panels through pre-drilled holes in the mounting blocks.

HAND TIGHTEN ONLY.

7. Insert one Wood Dowel (N) into each of pre-drilled holes. Push the Right Side Panel (F) and Left Side Panel (E) snug to completed assembly from step 6. Using Bolts (L) and Washers (M) through the pre-drilled holes in the mounting blocks.

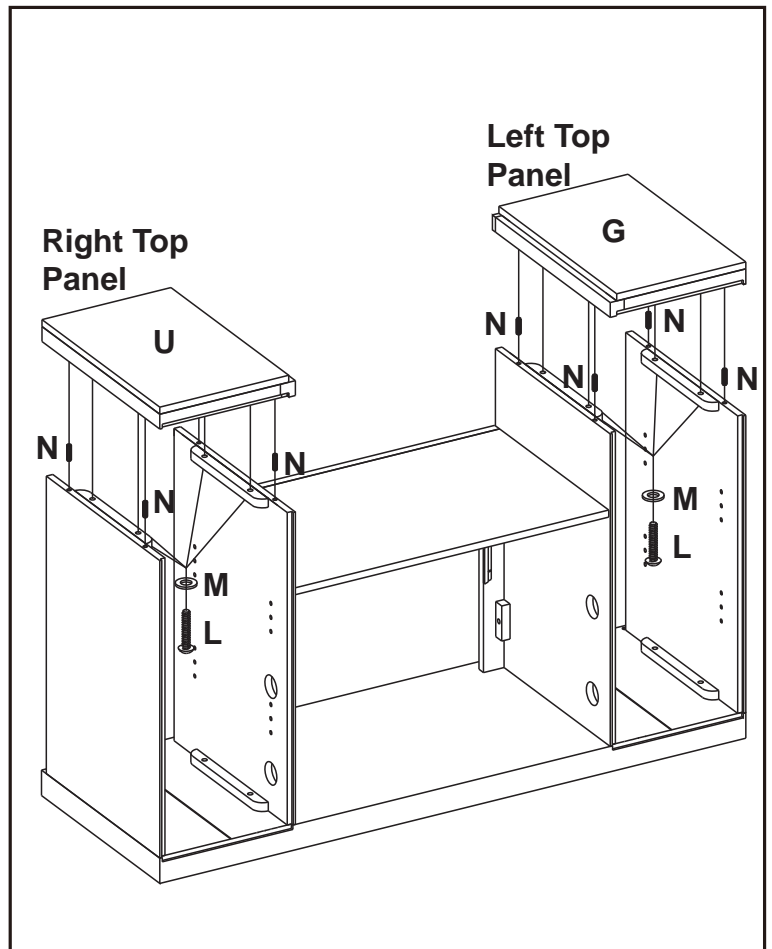
HAND TIGHTEN ONLY.



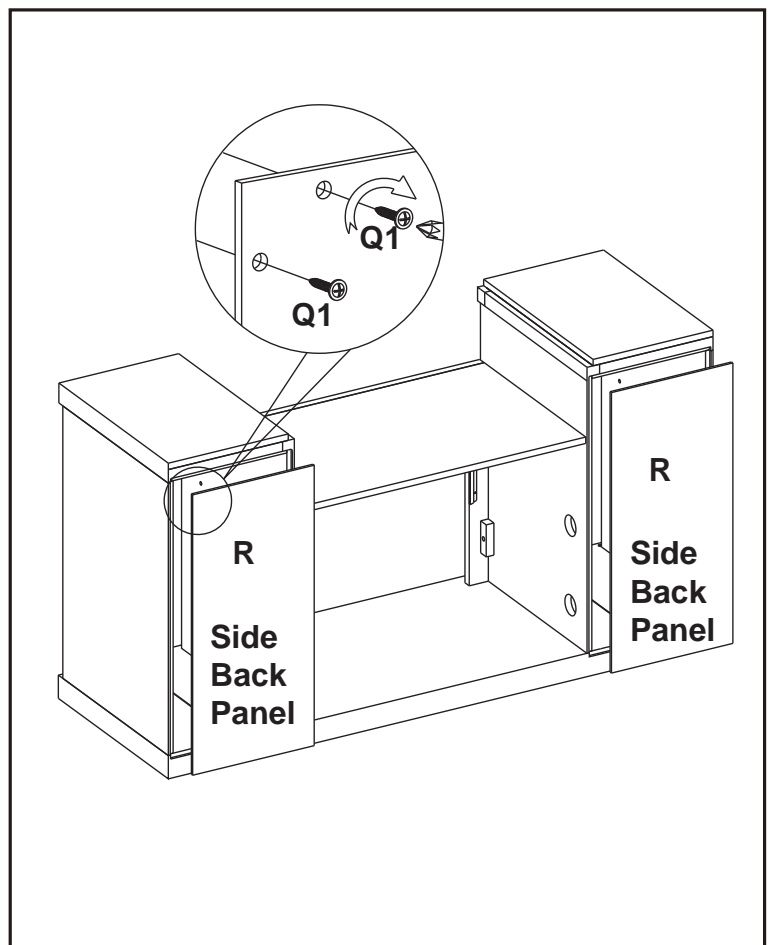
8. Insert one Wood Dowel (N) into each of the pre-drilled holes on the top edges of the Assembly from step 7. Then locate Top Panel (G, U) and lay finished side up on top of completed assembly. From the inside, attach Top Panel (G, U) using Bolts (L) and Washers (M) through the pre-drilled holes in the mounting blocks.

HAND TIGHTEN ONLY.

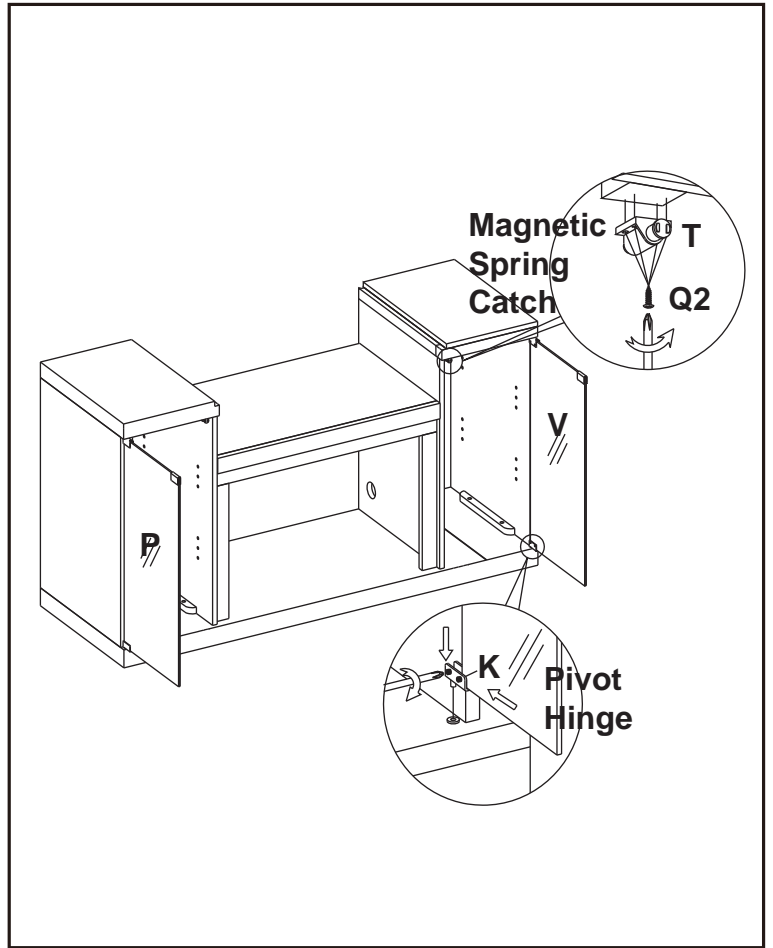
9. Using Phillips head screwdriver tighten all Bolts alternating top and bottom, left and right.



10. Attach Side Back Panels (R) to the back of the completed assembly from step 9. Use a Phillips head screwdriver, tighten Screws (Q1) through the pre-drilled holes in the side back panels (R).



11. Attach the Magnetic Spring Catch (T) on the bottom of Top Panel, tighten screws (Q2) through holes to the block as shown in diagram.
12. Insert the Pivot Hinge (K) into the plastic mat as shown in diagram. Then push the Glass Door (P, V) snug to the Pivot Hinges (K), use a Phillips Head Screwdriver to tighten the pivot hinge against the glass.

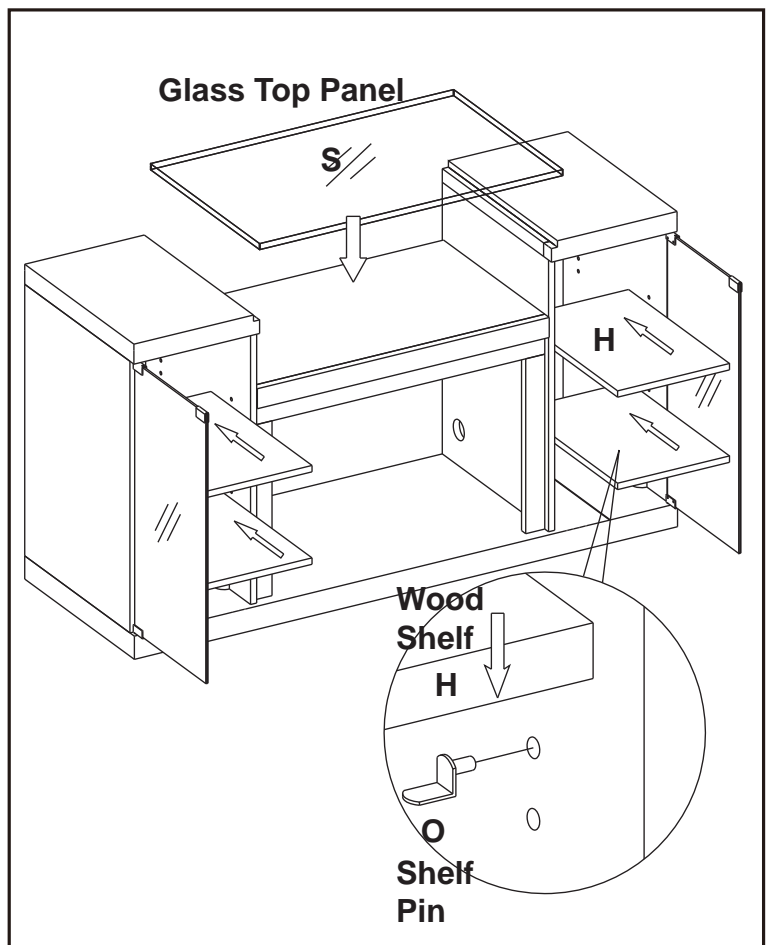


WARNING

**Do not over tighten catch screws.
Damage to the Glass could occur!**



13. Place the Glass Top Panel (S) on the top of the mantel. Choose desired height of Shelf (H) and place the four Shelf Pin (O) into same height shelf holes inside side panels. Insert Wood Shelf (H), allow Wood Shelf (H) to rest on the Shelf Pin (O).



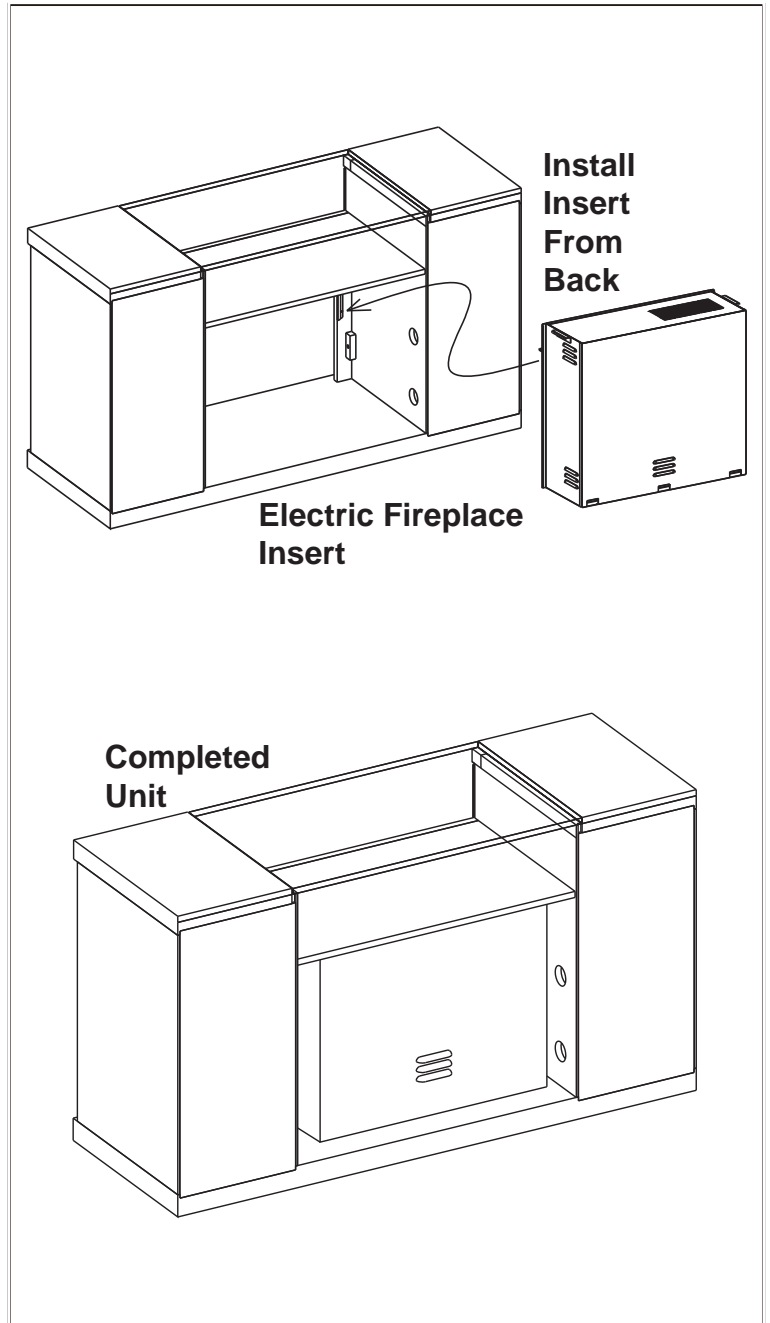
14. Remove the two mounting brackets attached to the back of the Left and Right Front panels. Set aside with the wood screws.

PLEASE READ ALL “ELECTRIC FIREPLACE INSERT” INSTRUCTIONS PRIOR TO INSTALLING ELECTRIC FIREPLACE INSERT IN YOUR COMPLETED FIREPLACE MANTEL. INSTALL THE INSERT IN YOUR FIREPLACE

15. Lift insert carefully into the back of the unit and center in the insert opening. Do not drag insert across Hearth/Base (A) as it may scratch your unit.

16. Install the mounting brackets to hold insert flush against the inside of the mantel front panel.

MOVE YOUR COMPLETED UNIT ONLY SHORT DISTANCES. MOVE COMPLETED UNIT WITH GREAT CARE. IT TAKES TWO PEOPLE TO MOVE COMPLETED UNIT INTO ITS FINAL POSITION.



Twin-Star International, Inc.
Delray Beach, FL 33445
In English: 1-866-661-1218
In French: 1-866-374-9203
In Spanish: 1-866-661-1218

Model# 26MM8404
Made in China
Printed in China

2010, Twin-Star International, Inc.