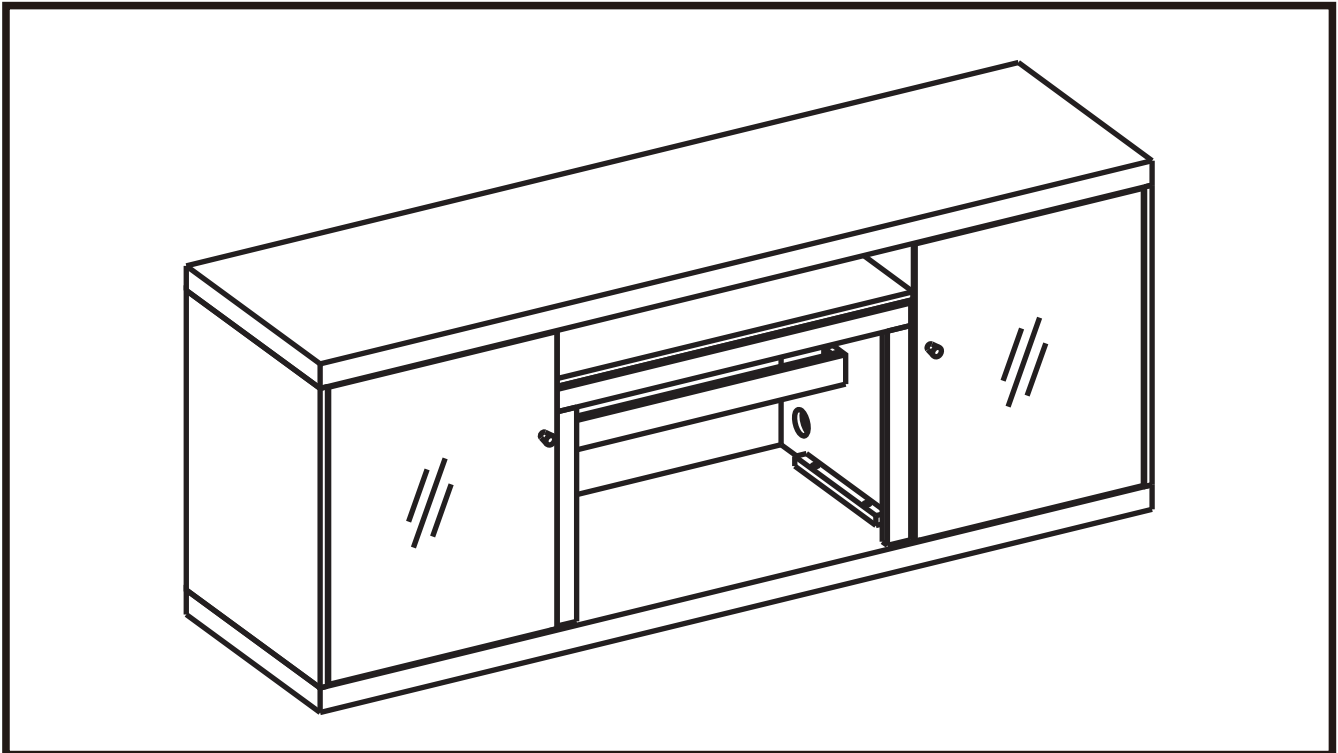


WOOD FIREPLACE MANTEL

26MM1404

WOOD MANTEL ASSEMBLY INSTRUCTIONS



PARTS LIST

Part	Description	Quantity
PARTS		
A	Hearth/Base	1
B	Center Left Side Panel	1
C	Center Right Side Panel	1
D	Center Shelf	1
E	Left Side Panel	1
F	Right Side Panel	1
G	Mantel/Top	1
K	Center Back Panel	1
R	Side Back Panel	2
S	Insert Support Bar	1
T	Left Front Door	1
U	Right Front Door	1
W	Wood Shelf	4
HARDWARE		
L	Bolt 1/4 in. x 1-1/4 in.	22+1 extra
M	Flat Washer	22+1 extra
N	Wood Dowel	22+1 extra
O	Shelf Pin	16
P	Touch-Up Pen	1
Q	Screw	18
V	Knob (with bolt)	2

Twin-Star International, Inc.
Delray Beach, FL 33445

Made in China
Printed in China

For Customer Service:

E-mail: parts@twinstarhome.com
In English call: 866-661-1218
In French call: 866-374-9203
In Spanish call: 866-661-1218

ATTENTION

ALSO Requires-Electric

Fireplace Insert with Heater

PLEASE READ AND FOLLOW ALL SAFETY TIPS

GETTING STARTED

1. Before assembly, CAREFULLY use scissors or utility knife to cut and unwrap all parts. Make sure you do not discard the hardware.
2. Make sure that you have all the parts listed. If you are missing any parts please email Customer Service: parts@twinstarhome.com or call 1-866-661-1218 in English, 1-866-374-9203 in French or 1-866-661-1218 in Spanish. Please identify the parts you need and model number. Make sure to include your name and address.



CAUTION:

DO NOT MOVE MANTEL OR INSERT WHILE PLUGGED INTO POWER SUPPLY.

HELPFUL HINTS

- Some steps are more easily handled with two adults.
- Attach the fireplace insert to the completed wood mantel last. **INSTALL INSERT IN FROM THE BACK OF THE FIREPLACE SO AS NOT TO SCRATCH THE HEARTH/BASE.**
- Use care in assembling your new fireplace, take your time and use the hardware provided and a quality Phillips head screwdriver. **NEVER OVER TIGHTEN BOLTS.**
- Do not sit on any part of the mantel.

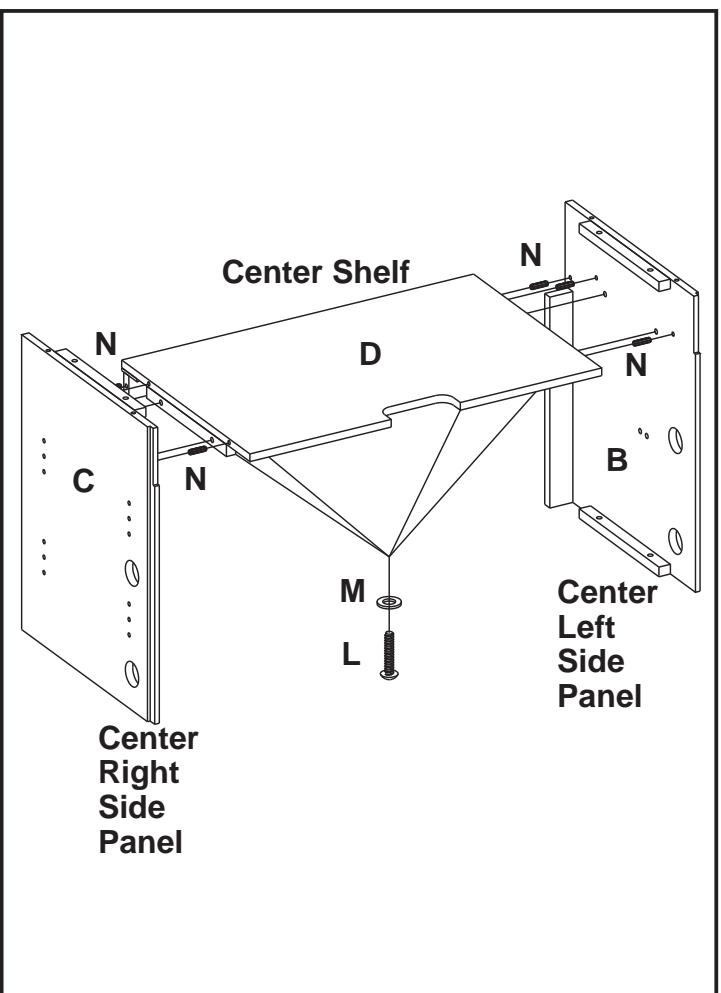
CARE & CLEANING

1. Dust your fireplace regularly with a soft non-lint producing cloth or household dusting product.
2. You can clean your fireplace with a gentle non-abrasive household cleaner. Make sure to dry your fireplace immediately with a soft cloth or towel.

For a complete tight fit every bolt should have a flat washer.

All panels are labeled Left and Right as viewed from the front of unit.

1. Locate the Center Left Side Panel (B), Center Right Side Panel (C), Center Shelf (D), and set out face down on a scratch-free surface.
2. Insert one Wood Dowel (N) into each of the pre-drilled holes.
3. Push the Center Left Side Panel and Center Right Side Panel snug to the Center Shelf. Make sure the Wood Dowels are seated in the pre-drilled holes. Insert Bolts (L) and Washers (M) into the holes in the mounting blocks. **HAND TIGHTEN ONLY.**



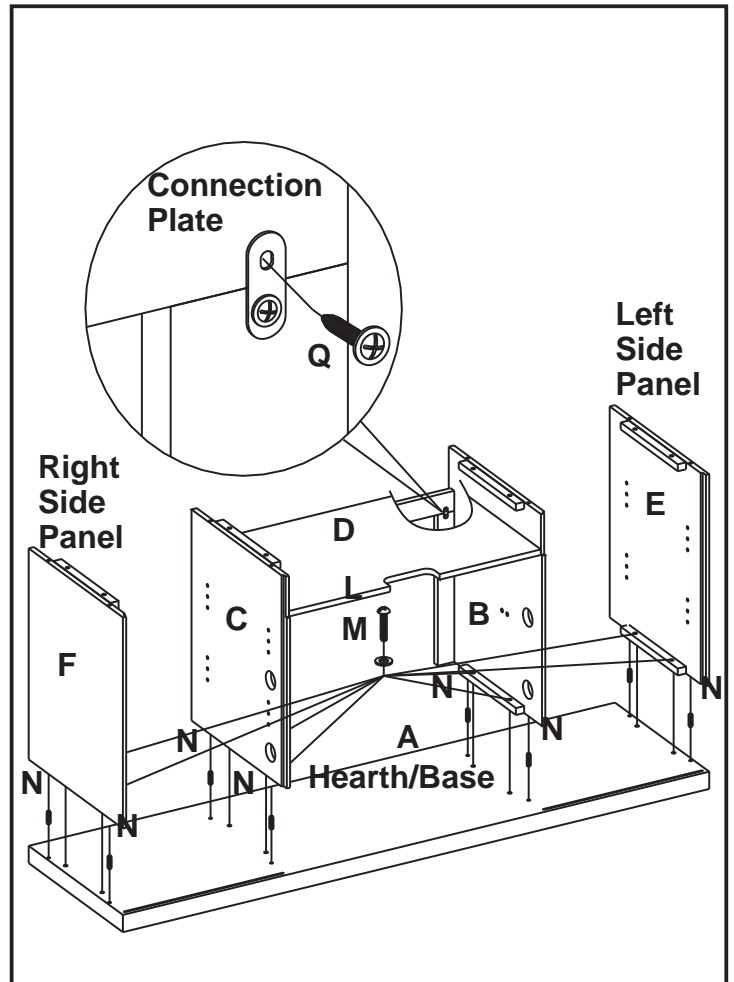
Connect the Center Left Side Panel (B), Center Right Side Panel (C) and Center Shelf (D) with Connection Plate, tighten Screws (Q) through the pre-drilled holes.

4. Locate Hearth/Base (A) and set out finished side up on the floor.
5. Insert one Wood Dowel (N) into each of the pre-drilled holes.
6. Attach the Completed assembly from step 3 to the Hearth/Base (A). Make sure that dowels are seated into the pre-drilled holes in the Hearth/Base. Using Bolts (L) and Washers (M) attach panels through pre-drilled holes in the mounting blocks.

HAND TIGHTEN ONLY.

7. Insert one Wood Dowel (N) into each of pre-drilled holes. Push the Right Side Panel (F) and Left Side Panel (E) snug to completed assembly from step 6. Using Bolts (L) and Washers (M) through the pre-drilled holes in the mounting blocks.

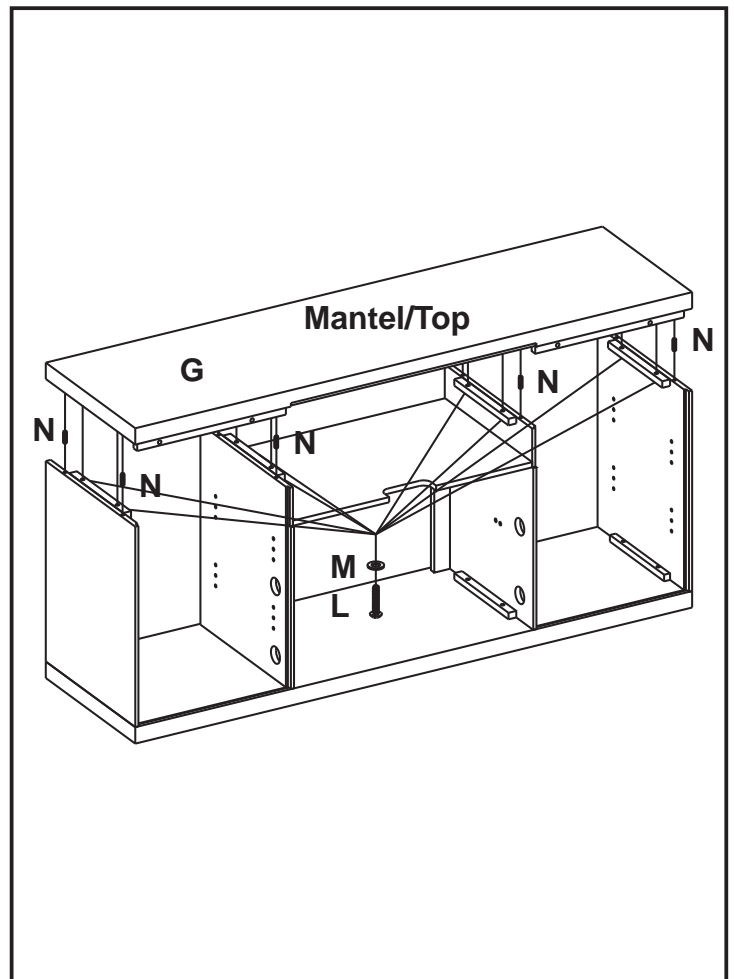
HAND TIGHTEN ONLY.



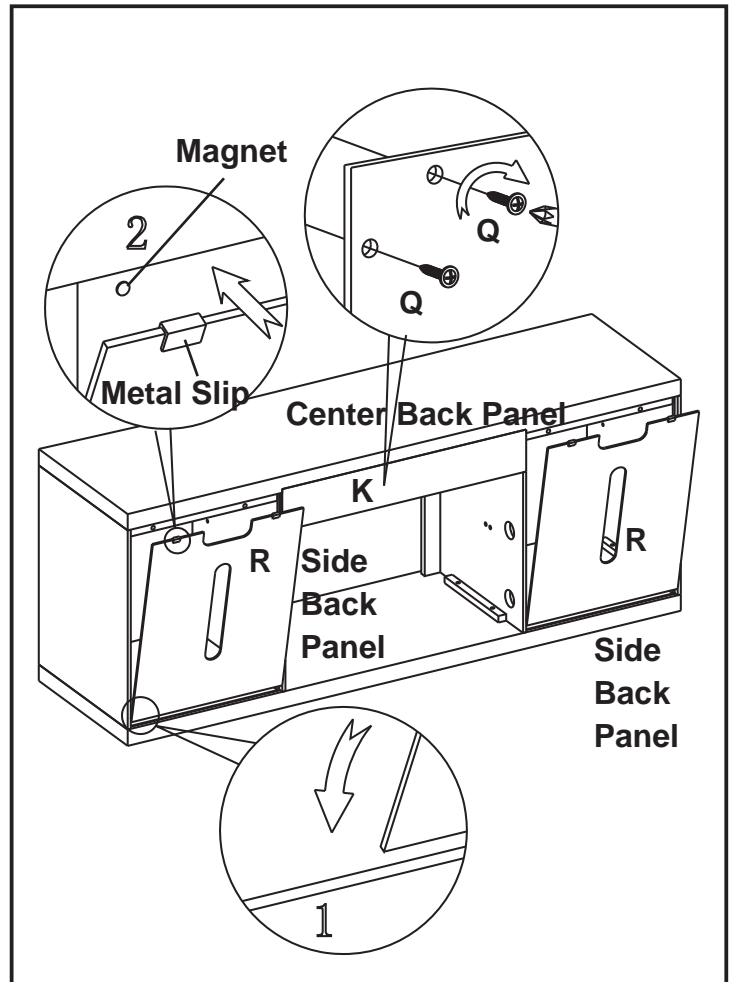
8. Insert one Wood Dowel (N) into each of the pre-drilled holes on the top edges of the Assembly from step 7. Then locate Mantel/Top (G) and lay finished side up on top of completed assembly. From the inside, attach Mantel/Top (G) using Bolts (L) and Washers (M) through the pre-drilled holes in the mounting blocks.

HAND TIGHTEN ONLY.

9. Using Phillips head screwdriver tighten all Bolts alternating top and bottom, left and right.



10. Locate Center Back Panel (K), attach to the center back of the completed assembly from step 9, using a Phillips Head screw driver, screw screws (Q) through the pre-drilled holes in the Center Back Panel to the completed assembly.
11. Insert Side Back Panel (R) into the groove in the base of the mantel as diagram 1. Push Side Back Panel to connect the magnet with the metal slip as diagram 2.



12. Locate Right Front Door (U) and Left Front Door (T). Slide door hinge keyhole into panel hinge bracket. **(Diagram 1)**
Use Phillips Head Screwdriver to tighten screws. **(Diagram 2)**
TO ADJUST HINGES

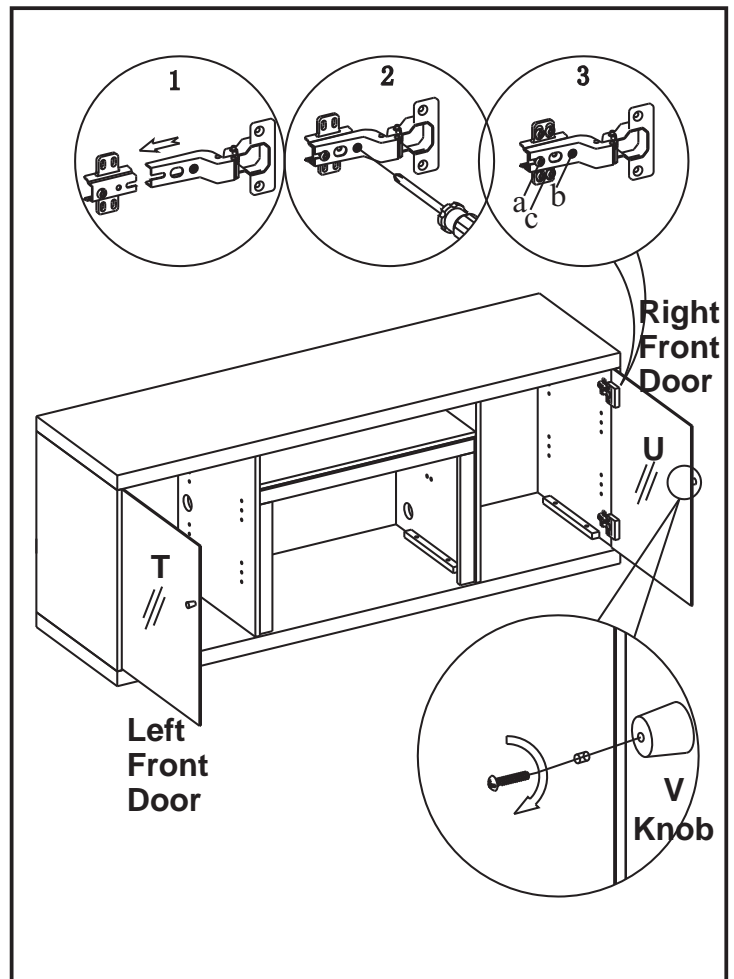
To adjust door forward or backward change keyhole slot position.

(As Shown In Diagram 3a)

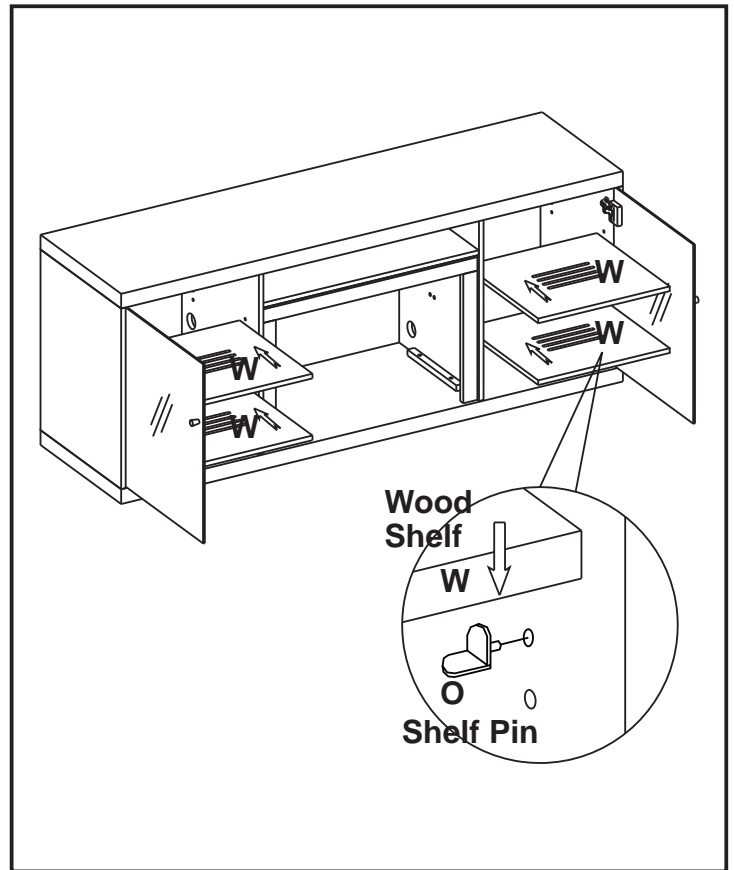
To adjust door right or left loosen/tighten screw. **(As Shown In Diagram 3b)**

To adjust door up or down adjust bracket height. **(As Shown In Diagram 3c)**

13. Attach the Knob (V) to the Left Front Door (T) and Right Front Door (U), use the bolts attached through the pre-drilled holes in the doors. Then use a Phillips Head Screwdriver to tighten the bolts.



14. Choose desired height of Shelf (W) and place the four Shelf Pin (O) into same height shelf holes inside side panels. Insert Wood Shelf (W), allow Wood Shelf (W) to rest on the Shelf Pin (O).



PLEASE READ ALL “ELECTRIC FIREPLACE INSERT” INSTRUCTIONS PRIOR TO INSTALLING ELECTRIC FIREPLACE INSERT IN YOUR COMPLETED FIREPLACE MANTEL. INSTALL THE INSERT IN YOUR FIREPLACE CLOSE TO ITS FINAL POSITION.

15. Lift insert carefully into the back of the unit and center in the insert opening. Do not drag insert across Hearth/Base (A) as it may scratch your unit.
16. Connect the Insert Support Bar (S) to the inside Left and Right panels, using the Bolts (L) and Washers (M) through pre-drilled holes.

MOVE YOUR COMPLETED UNIT ONLY SHORT DISTANCES. MOVE COMPLETED UNIT WITH GREAT CARE. IT TAKES TWO PEOPLE TO MOVE COMPLETED UNIT INTO ITS FINAL POSITION.

Twin-Star International, Inc.
 Delray Beach, FL 33445
 In English: 1-866-661-1218
 In French: 1-866-374-9203
 In Spanish: 1-866-661-1218

Model# 26MM1404
 Made in China
 Printed in China

© 2010, Twin-Star International, Inc.

