

duraflame

MODEL :

48HF201CGT



www.tsicustomerservice.com



1-888-674-7517

TWIN-STAR[®]
INTERNATIONAL
HOME FURNISHINGS

Twin-Star International, Inc; Delray Beach, FL 33445
Made in China • Printed in China • Fabricado en China • Impreso en China • Fabriqué en Chine • Imprimé en Chine

Table of Contents

Safety Information	3	Installation Options	8
Warranty	4	Wall Mounting	9
Pre-Operation	5	Pedestal Base.....	13
Pre-Assembly	6	Fuel Bed Setup Instructions.....	15
Hardware Included	6	Operation	16
Product Specifications.....	6	FCC/IC Information	19
Tools Required.....	6	Care & Cleaning	19
Package Contents.....	7	Troubleshooting	20
		Replacement Parts	21

IMPORTANT INSTRUCTIONS

When using electrical appliances, basic precautions should always be followed to reduce the risk of fire, electrical shock, and injury to persons including the following:

1. Read all instructions before using this appliance.
2. This appliance is hot when in use. To avoid burns, do not let bare skin touch hot surfaces. If provided, use handles when moving this appliance. Keep combustible materials, such as furniture, pillows, bedding, papers, clothes and curtains at least 3 feet (0.9 m) from the front of this appliance and keep away from the sides and the rear. **WARNING:** In order to avoid overheating, do not cover the heater.
3. **CAUTION:** Never leave the heater operating unattended. Extreme caution is necessary if unsupervised children or invalids are nearby.
4. The appliance is not to be used by children or persons with reduced physical, sensory or mental capabilities, or lack of experience and knowledge, unless they have been given supervision or instruction.
5. Always unplug this appliance when not in use.
6. Do not operate any heater with a damaged cord or plug or after the appliance malfunctions, or if it has been dropped or damaged in any manner.
7. If the supply cord is damaged, it must be replaced by the manufacturer, its service agent or similarly qualified persons in order to avoid a hazard.
8. Do not use outdoors.
9. This heater is not intended for use in bathrooms, laundry areas and similar indoor locations. Never locate this appliance where it may fall into a bathtub or other water container.
10. Do not run cord under carpeting. Do not cover cord with throw rugs, runners or the like. Arrange cord away from traffic areas and where it will not be tripped over.
11. To disconnect this appliance, turn controls to the off position, then remove plug from outlet.
12. Connect to properly grounded outlets only. This heater is for use on 120 volts. The cord has a plug as shown at A in Fig.1 Do not use a 2 prong adapters. Never use with an extension cord or relocatable power tap (outlet/power strip).

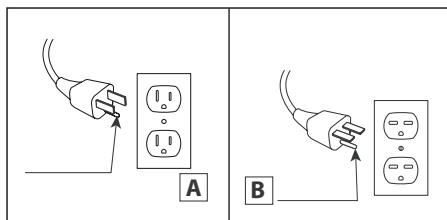
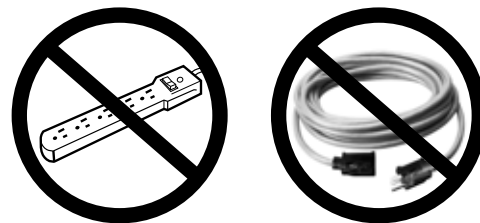


Fig.1



13. This appliance, when installed, must be electrically grounded in accordance with local codes or, in the absence of local codes, with the current CSA C22.1 Canadian Electrical Code or for U.S.A. installations, follow local codes and the National Electrical Code, ANSI/NFPA NO.70.
14. Do not insert or allow foreign objects to enter any ventilation or exhaust opening as this may cause an electric shock or fire, or damage the appliance.
15. To prevent a possible fire, do not block air intakes or exhaust in any manner. Do not use on soft surfaces, like a bed, where opening may become blocked.
16. This appliance has hot and arcing or sparking parts inside. Do not use it in areas where gasoline, paint or flammable liquids are used or stored. This fireplace should not be used as a drying rack for clothing. Christmas stockings or decorations should not be hung in the area of it.
17. Use this appliance only as described in the manual. Any other use not recommended by the manufacturer may cause fire, electric shock or injury to persons.
18. This heater may include an visual alarm to warn that parts of the heater are getting excessively hot. If the alarm illuminates, immediately turn the heater off and inspect for any objects on or adjacent to the heater that may have blocked the airflow or otherwise caused high temperatures to have occurred. **DO NOT OPERATE THE HEATER WITH THE ALARM ILLUMINATING.**

SAVE THESE INSTRUCTIONS

Warranty

The manufacturer warrants this product to be free from manufacturing and material defects for a period of one year from date of purchase, subject to the following conditions and limitations:

1. Install and operate this Electric Fireplace in accordance with the installation and operating instructions furnished with the product at all times. Any unauthorized repair, alteration, willful abuse, accident, or misuse of the product shall nullify this warranty.
2. This warranty is non-transferable and is made to the original owner, provided that the purchase was made through an authorized supplier of the product.
3. The warranty is limited to the repair or replacement of part(s) found to be defective in material or workmanship, provided that such part(s) have been subjected to normal conditions of use and service, after said defect is confirmed by the manufacturer's inspection.
4. The manufacturer may, at its discretion, fully discharge all obligations with respect to this warranty by refunding the wholesale price of the defective part(s).
5. Any installation, labor, construction, transportation, or other related costs/expenses arising from defective part(s), repair, replacement, or otherwise of same, will not be covered by this warranty, nor shall the manufacturer assume responsibility for same.
6. The owner/user assumes all other risks, if any, including the risk of any direct, indirect or consequential loss or damage arising out of the use, or inability to use the product, except as provided by law.
7. All other warranties – expressed or implied – with respect to the product, its components and accessories, or any obligations/liabilities on the part of the manufacturer are hereby expressly excluded.
8. The manufacturer neither assumes, nor authorizes any third party to assume on its behalf, any other liabilities with respect to the sale of the product.
9. The warranties as outlined within this document do not apply to non accessories used in conjunction with the installation of this product.
10. This warranty gives you specific legal rights, and you may also have other rights which vary from state to state.

This warranty is void if:

- a. The fireplace is subjected to prolonged periods of dampness or condensation.
- b. There has been unauthorized alteration, willful abuse, accident, or misuse of the product.
- c. You do not have the original receipt of purchase.

Customer Service

www.tsicustomerservice.com
For Customer Service Call 1-888-674-7517

Questions? Our message centers are available 7 days a week 24 hours a day at our toll-free help line. Our Consumer Service department is available Monday – Friday 8:30 am – 5:30 pm EST. We can help you with assembly and if necessary, replace damaged/missing parts.

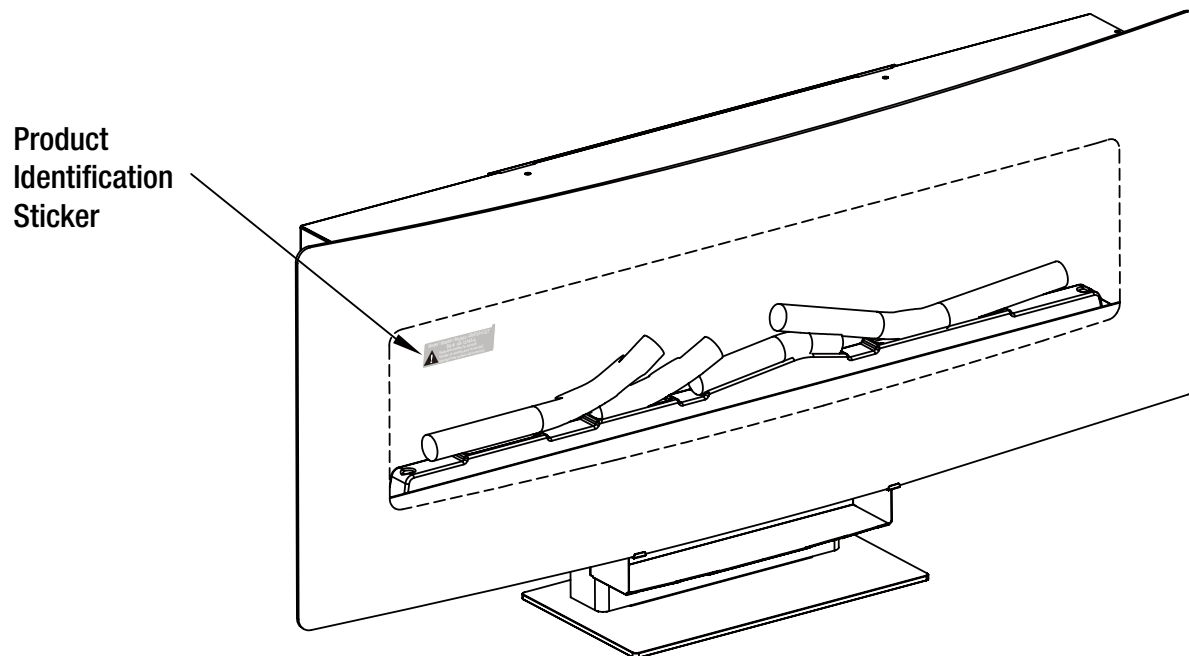
IMPORTANT:

Before contacting Customer Service please have this information available:

- Serial Number
- Model Number
- Sales Receipt or Proof of Purchase

Pre-Operation

1. Remove the product identification sticker from the front of the fireplace.



2. Attach the Product Identification Sticker to this Manual below for future reference. This information is used for product registration and also is necessary for customer service.

Attach Product Identification Sticker Here



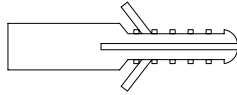
3. Go to www.tsicustomerservice.com for product warranty registration. If you are unable to complete registration save your proof of purchase for warranty purposes.

Pre-Assembly

HARDWARE INCLUDED



AA



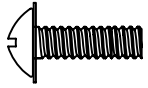
BB



CC



DD



EE



FF

Part	Description	Part Number	Quantity
AA	Anchor Screw	36II200-AA	6
BB	Wall Anchor	36II200-BB	6
CC	Screw 4mm x 8mm (2 Pre-Attached)	36II200-CC	11
DD	Screw 4mm x 6mm	36II200-DD	2
EE	Screw 6mm x 14mm	36II200-EE	6
FF	Washer	36II200-FF	4



NOTE: Hardware not shown to actual size.

PRODUCT SPECIFICATIONS

Voltage	120 VAC, 60 Hz
Amps	12.5 Amps
Watts	1500 Watts

PLANNING ASSEMBLY

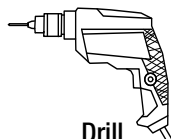
Before beginning assembly of product, make sure all parts are present. Compare parts with Hardware Included and Package Contents lists. If any part is missing or damaged, do not attempt to assemble, install or operate the product. Contact customer service for replacement parts.

Estimated Assembly Time: 60 Minutes

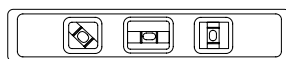
Tools Required for Assembly (not included): Phillips screwdriver, Drill, Hammer, Level



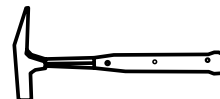
Phillips Screwdriver



Drill



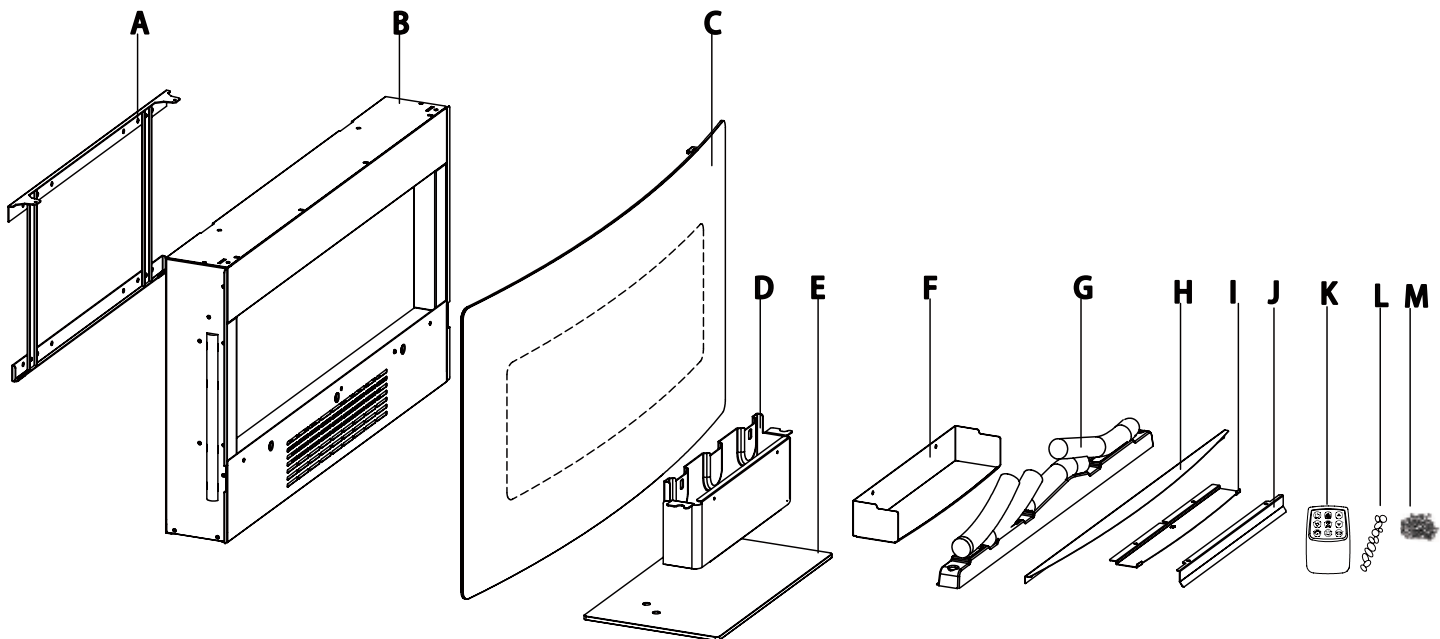
Level



Hammer

Pre-Assembly (continued)

PACKAGE CONTENTS



Part	Description	Quantity
A	Mounting Bracket (Pre-Attached)	1
B	Fireplace	1
C	Front Frame	1
D	Base Bracket	1
E	Base	1
F	Lower Air Outlet Baffle	1
G	Logset	1
H	Glass Baffle	1
I	Upper Air Outlet Baffle	1
J	Back Air Outlet Baffle	1
K	Remote Control	1
L	Decorative Rocks	Varies
M	Fireglass	Varies

Installation Options

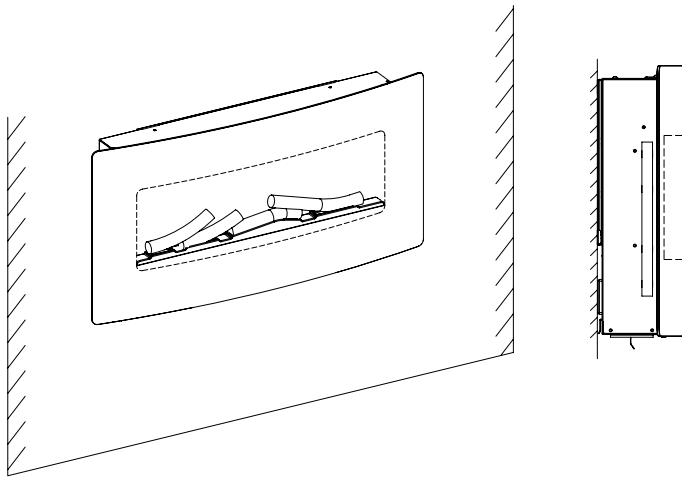
The fireplace can be installed with 2 options:

1. Hanging on a wall with provided mounting bracket.
2. Freestanding using the pedestal base.

Follow installation instructions below based on installation preference.

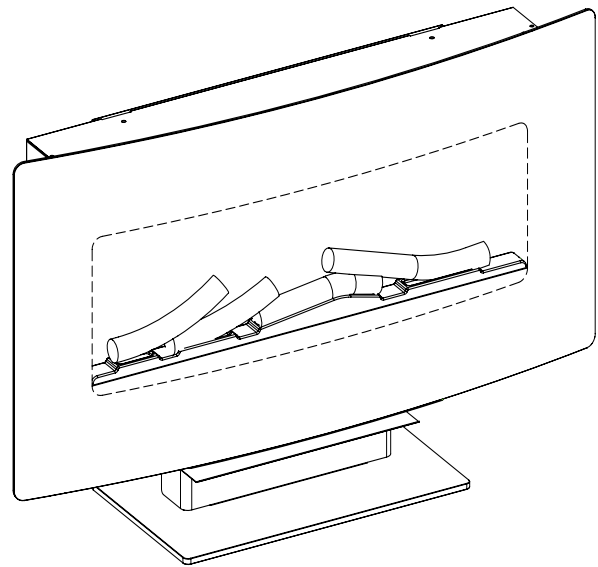
Option 1

Wall Hanging....page 9



Option 2

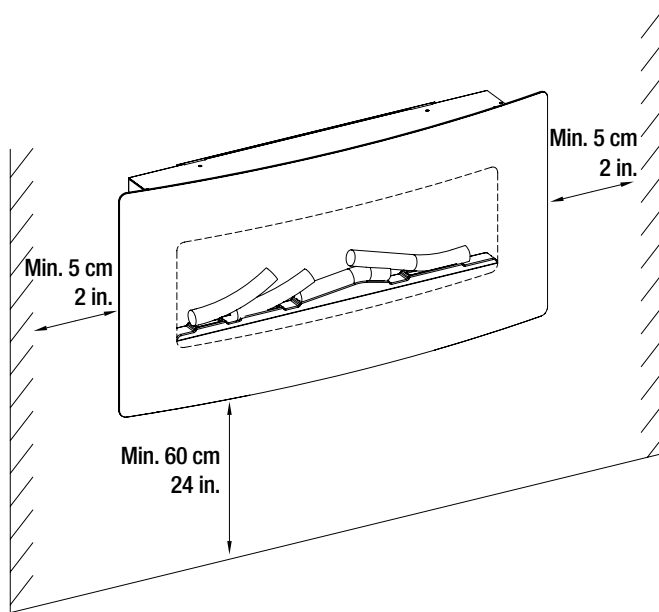
Pedestal Base....page 13



Installation - Wall Mounting

Hanging on a wall

Your new electric fireplace may be installed virtually anywhere in your home. However, when choosing a location be sure to follow the general instructions included. For best results install out of direct sunlight. Power supply service must be either completed or placed within the electric fireplace prior to finishing to avoid reconstruction.



WARNING: Keep drapery and other furnishings at least 3 ft / 1 m from the front and sides of the electric fireplace.

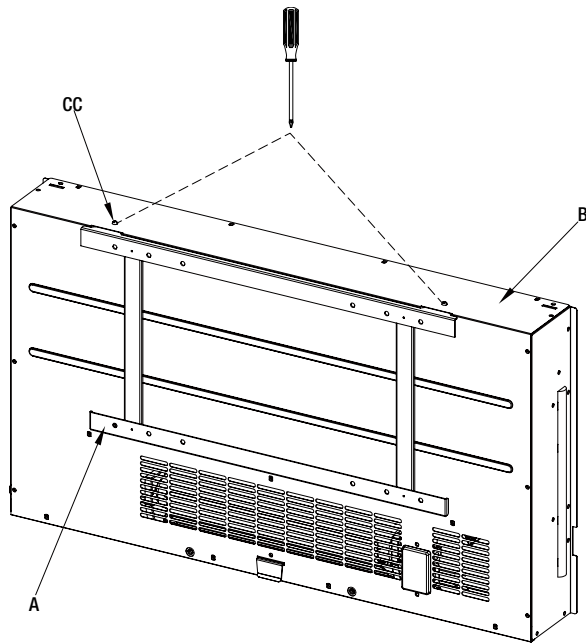
Clearance to combustibles

Sides	2 in. / 5 cm
Floor	24 in. / 60 cm
Top	2 in. / 5 cm
Back	0 in. / 0 cm

Installation - Wall Mounting

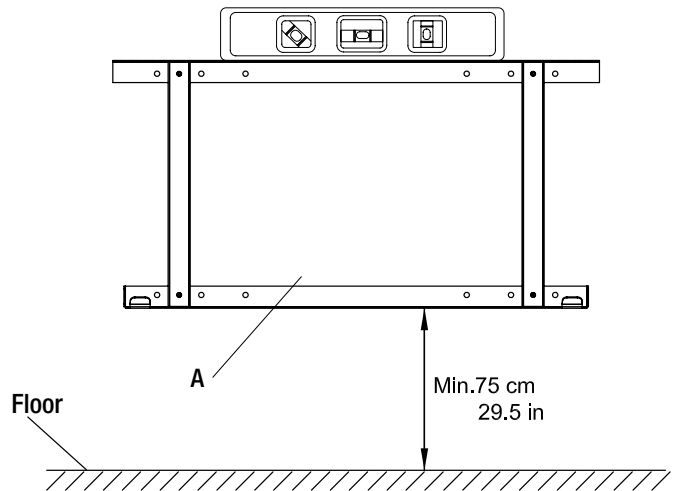
1 Removing the Mounting Bracket

- Remove the Mounting Bracket (A) from the back of the Fireplace (B) by removing the two pre-attached Screws (CC) at the top back of the unit.



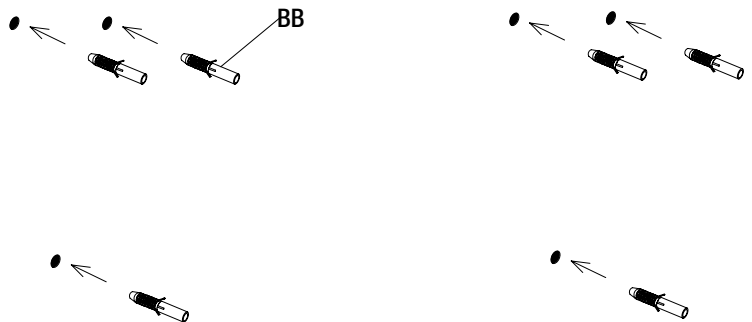
2 Choosing a Wall Location

- Choose a wall location to attach the Mounting Bracket (A). Position the Mounting Bracket (A) in the desired location.
- Use a level to align the bracket and mark the four holes with a pencil.



3 Drilling the Holes

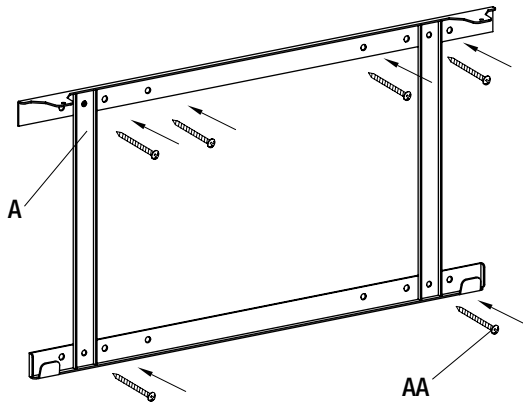
- Drill six 7/25 in. (7 mm) holes in the wall.
- Insert the Wall Anchors (BB) into the holes using a hammer.



Installation - Wall Mounting (continued)

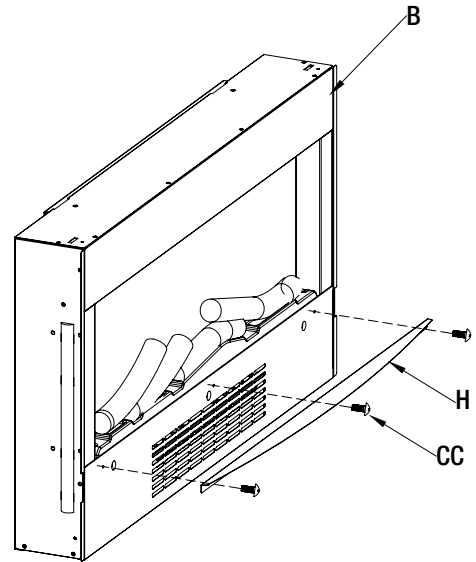
4 Attaching the Mounting Bracket

- Attach the Mounting Bracket (A) to the wall by fastening the six Anchor Screws (AA) into the wall anchors.



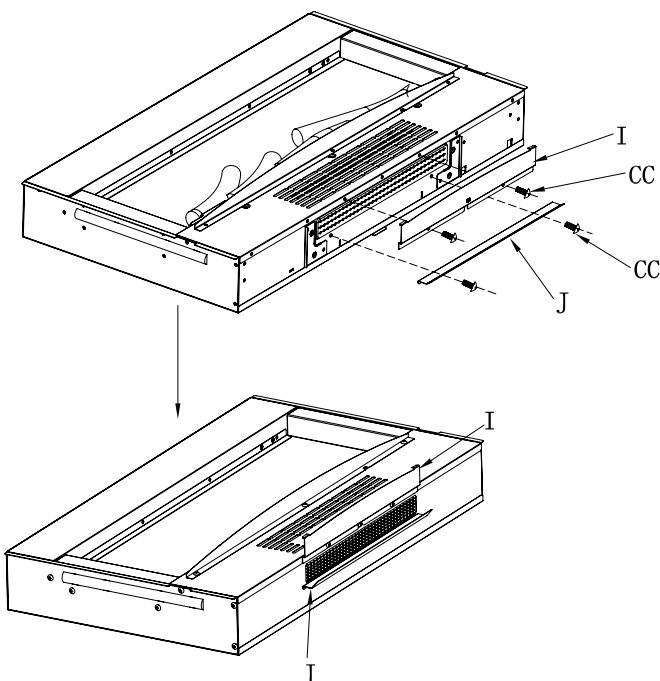
5 Attaching Lower Air Outlet Baffle

- Attach Glass Baffle (H) to the fireplace by fastening the Screws (CC).



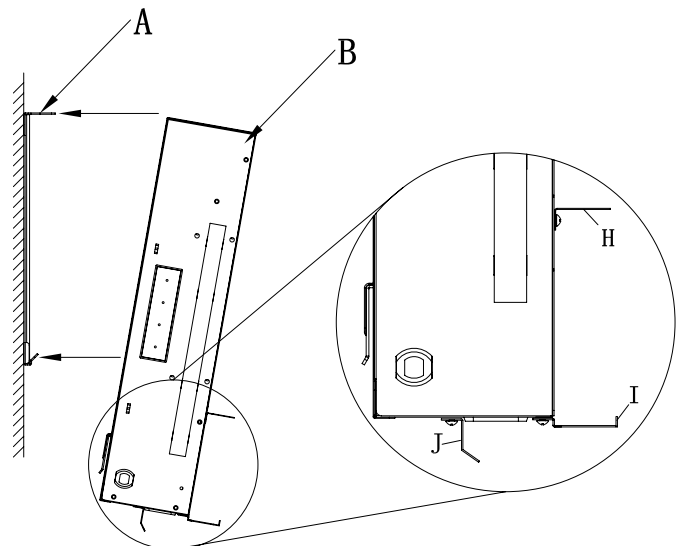
6 Attaching the Upper and back Air Outlet Baffle

- Attach the upper air outlet (I) and back air outlet (J) to the fireplace by fastening the screw (CC).



7 Hanging the Fireplace

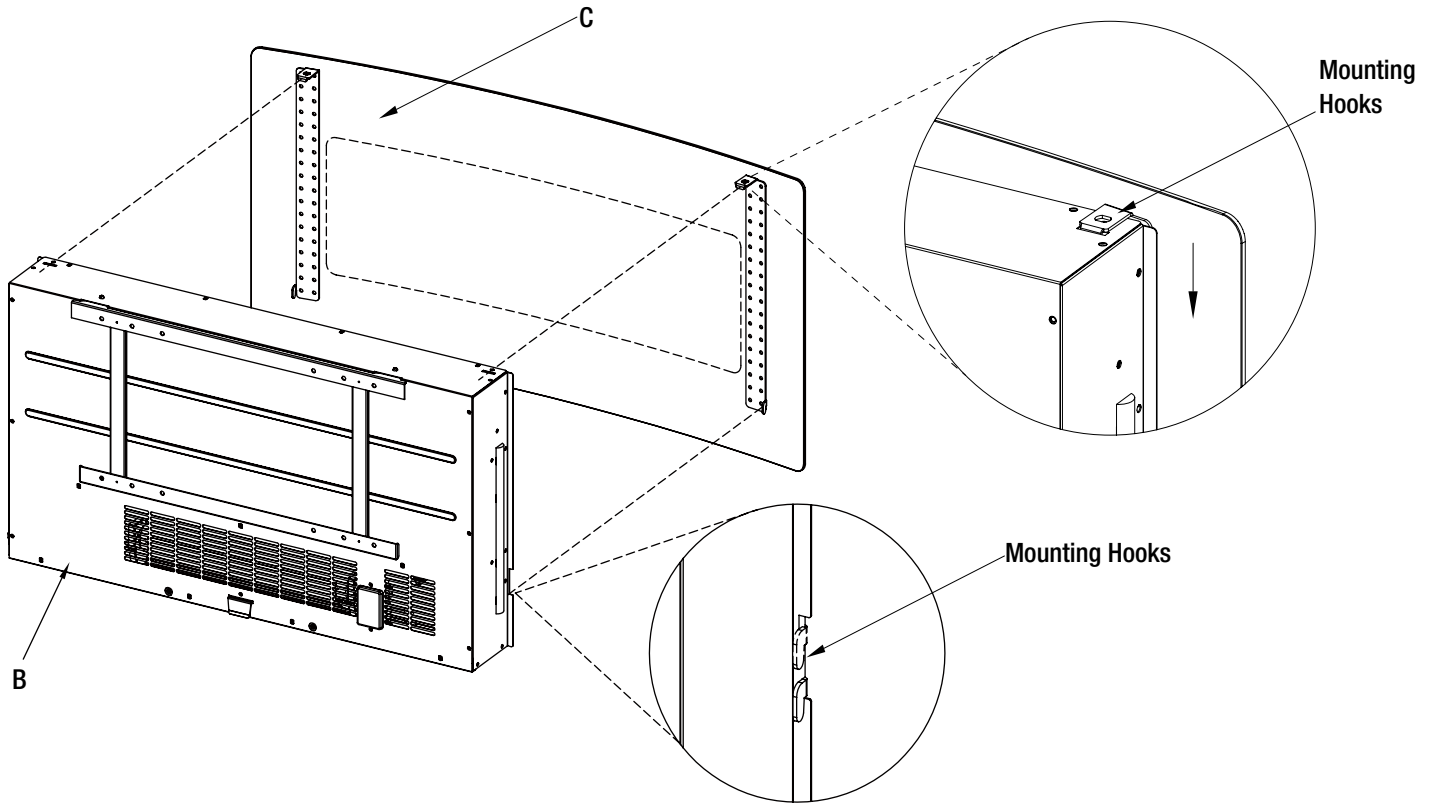
- Hang the Fireplace (B) on the hooks at the bottom of the Mounting Bracket (A) and push the Fireplace (B) into the Mounting Bracket (A).
- Re-fasten the two screws removed in Step 1.



Installation - Wall Mounting (continued)

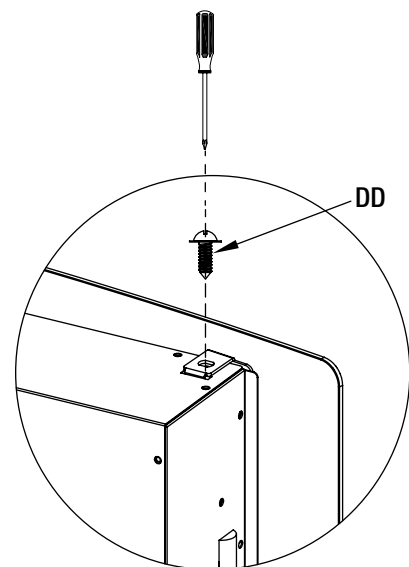
8 Hanging the Front Frame

- Mount the Front Frame (C) to the Fireplace (B) using the mounting hooks to hang the front frame.



9 Securing the Front Frame

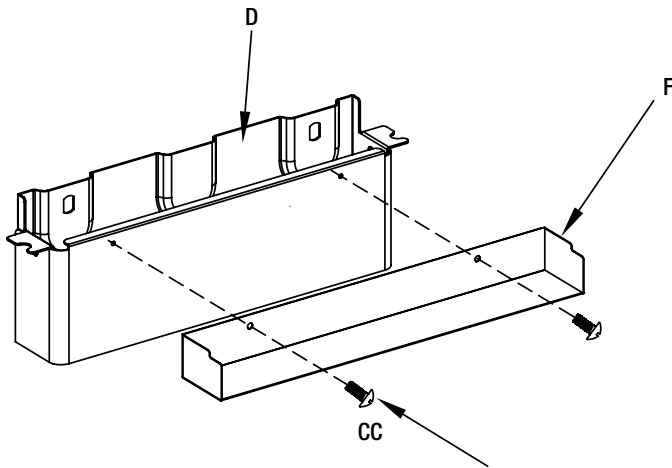
- Secure the top frame hooks with the two retaining Screws (DD).
- Continue to the fuel bed setup instructions (Page 18).



Installation - Pedestal Base

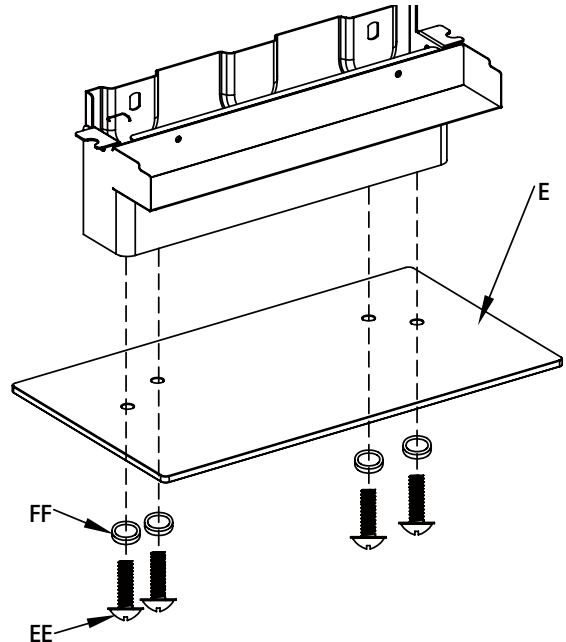
1 Fastening the Base Bracket

- Use two Screws (CC) to fasten the lower Air Outlet Baffle (F) to the Base Bracket (D).



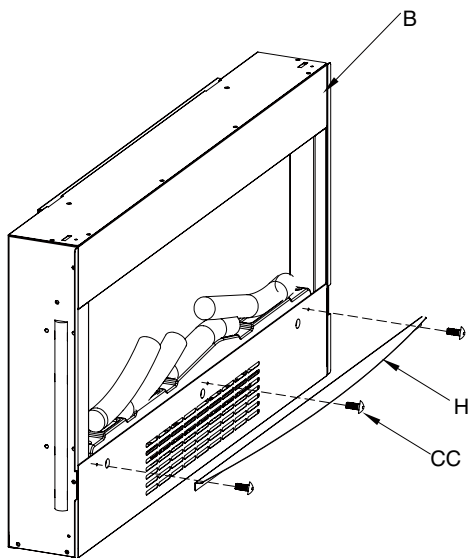
2 Attaching the Small Base Bracket

- Use four Screws (EE) and four Washers (FF) to fasten the Base (E) to the Base Bracket (D).



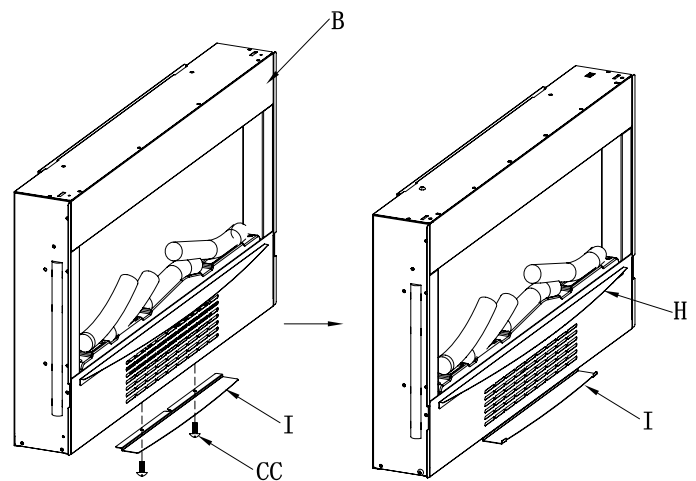
3 Attaching Lower Air Outlet Baffle

- Attach Glass Baffle (H) to the fireplace by fastening the Screws (CC).



4 Attaching the Upper Air Outlet Baffle

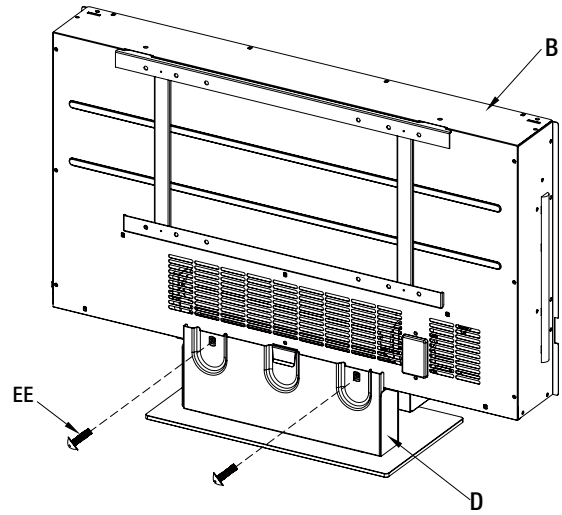
- Attach the upper air outlet (I) to the fireplace by fastening the screw (CC).



Installation - Pedestal Base

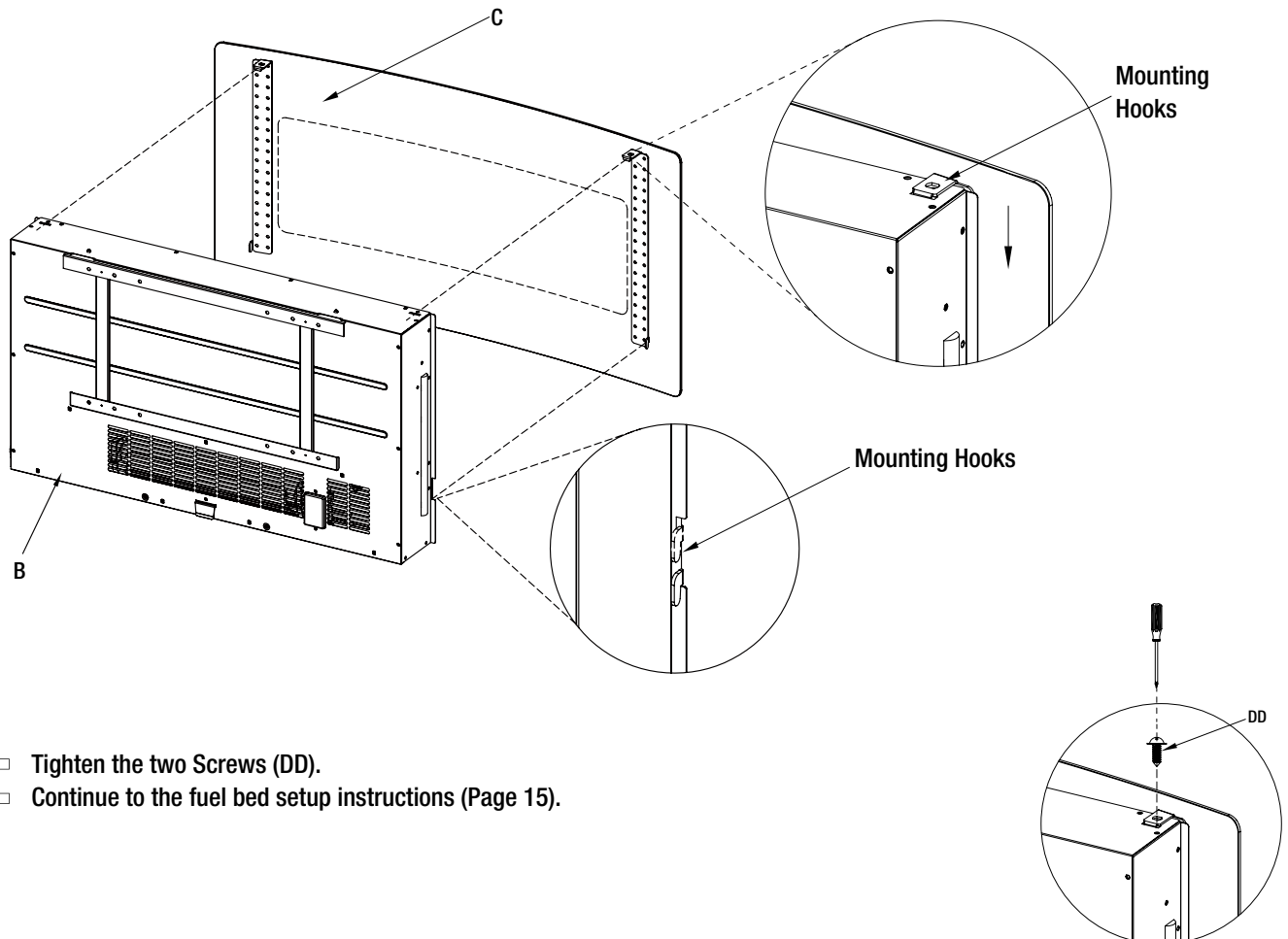
5 Attaching the Base Bracket

- Fasten the Base Bracket (D) to the Fireplace (B) with the provided Screws (EE).



6 Securing the Top Frame

- Mount the Front Frame (C) to the Fireplace (B) using the mounting hooks to hang the front frame.

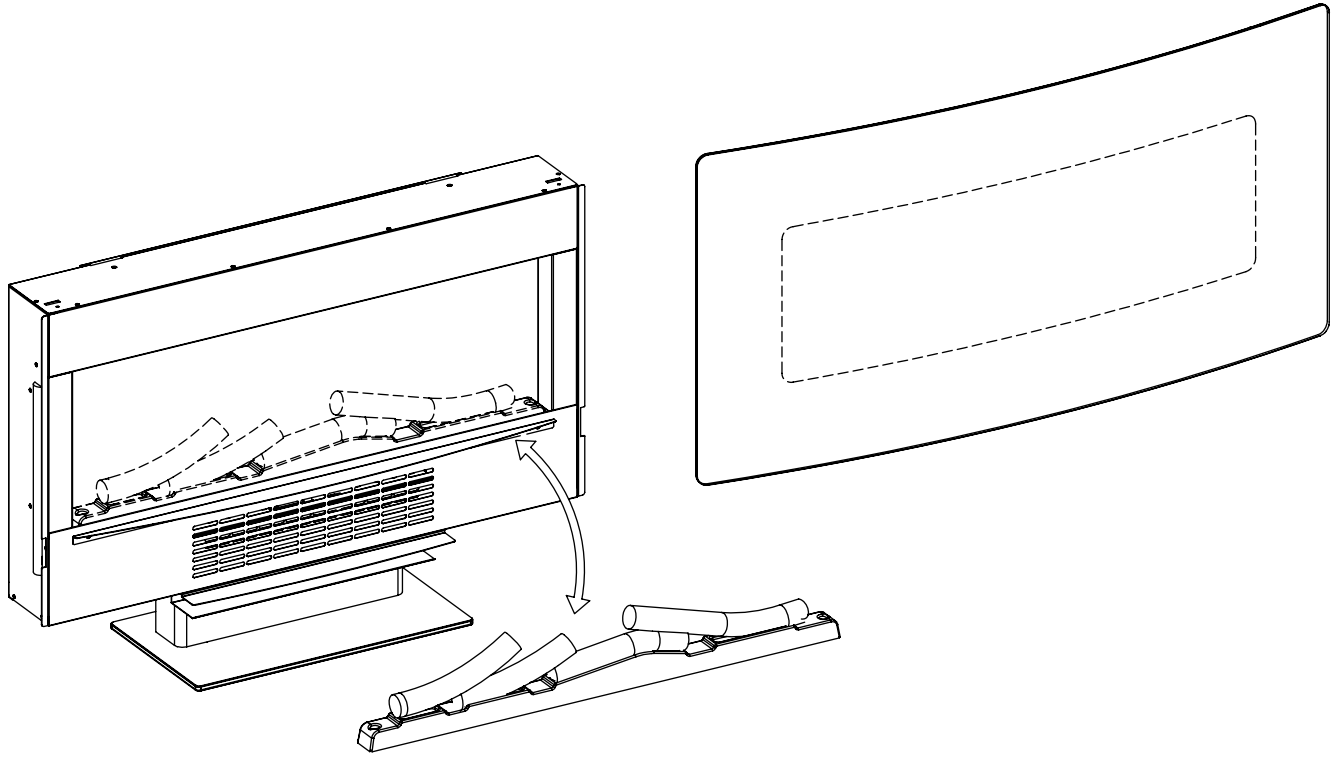


- Tighten the two Screws (DD).
- Continue to the fuel bed setup instructions (Page 15).

Fuel Bed Setup Instructions

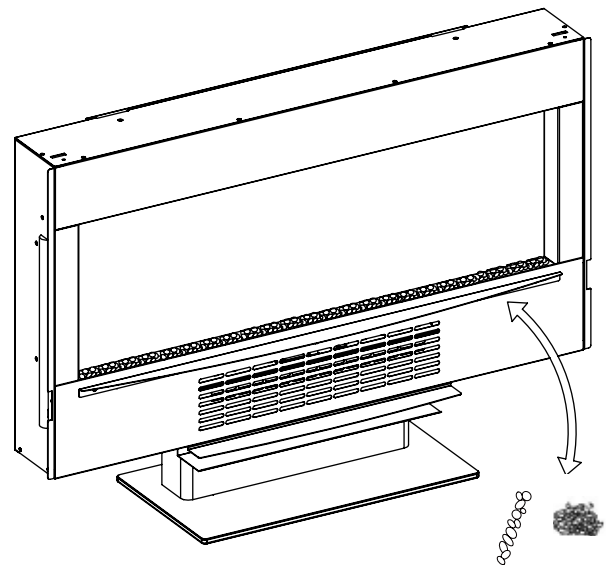
1 Removing the Logset

- The fireplace has the option of either using the pre-installed logset or the included transparent tray assembly. To change the logset to the tray remove the emberbed with logset.

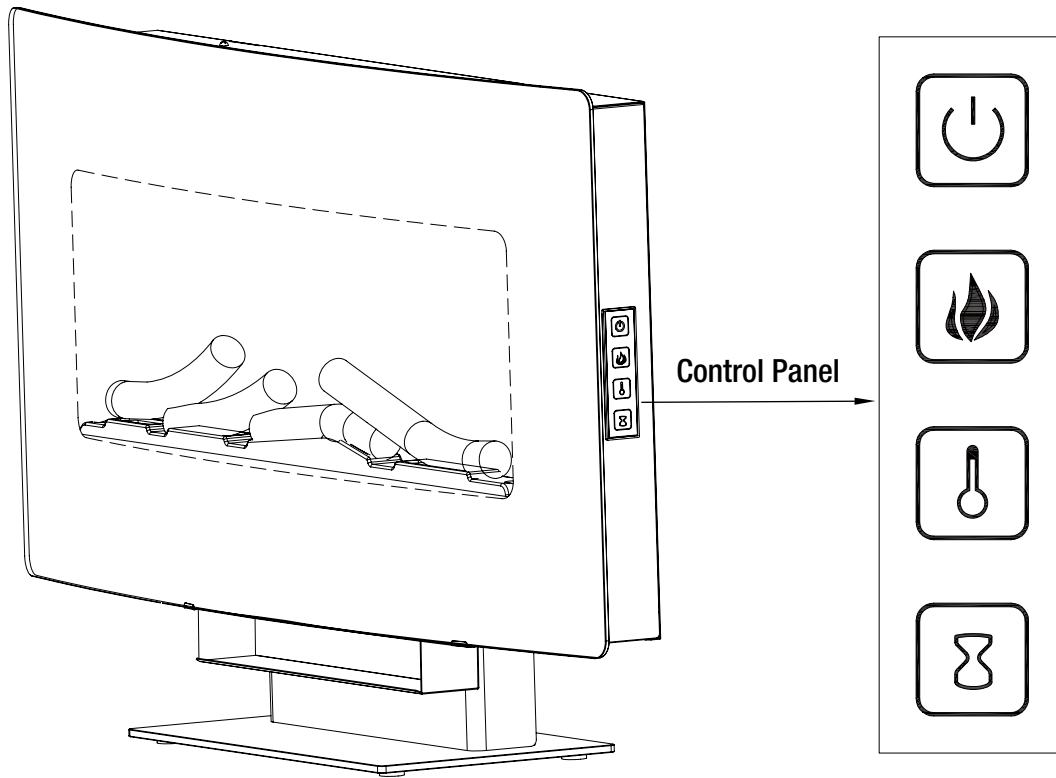


2 Placing the Fireglass/ Rocks

- Place the Fireglass (M) or the Rocks (L) as desired.










Operation



The fireplace can be operated by either the remote control or the control panel.



Operation (continued)

FUNCTION	ICON	DESCRIPTION
HEATER		<p>To set the thermostat use the Heater button on the control panel to select the desired temperature.</p> <p>The thermostat setting range is 62 °F - 82 °F or 17 °C - 27 °C or continuously ON and OFF (00).</p> <p>The thermostat is adjustable by 2°F or 1°C increments by pressing the Up or Down “▲ ▼” buttons on the remote control.</p> <p>To change between °F and °C press and hold the HEATER button on the control panel for 3 seconds.</p>
TIMER		<p>Press the Timer button to cycle through the ten timer settings (30 minutes, 1 Hour, 2H, 3H, 4H, 5H, 6H, 7H, 8H and 9H) and the OFF (00) setting.</p>
FLAME COLOR		<p>There are 5 unique Spectrafire™ flame effects that can be selected.</p> <ol style="list-style-type: none"> 1: Spectrafire™ 2: Sapphire 3: Amethyst 4: Campfire 5: Midnight Fire <p>AU: Auto Cycle which will automatically fade in and fade out a new color flame effect periodically.</p> <p>00: OFF</p>
FLAME INTENSITY		<p>The intensity is only adjustable from the remote control.</p> <p>Each flame color option has 5 intensity options available.</p>
FLAME SPEED		<p>The flame speed is only adjustable from the remote control.</p> <p>Each flame color option has speed options available.</p> <p>Setting 1 is slowest ranging up to setting 5 which is the fastest.</p>
UPLIGHTS		<p>Press the Uplights button on the remote control to change the uplight between the five settings: white, blue, white/blue, auto-cycling and OFF(00).</p>
SIDELIGHTS		<p>Press the Sidelights button on the remote control to change the sidelight between the five settings: amber, blue, blue/amber, auto-cycling and OFF (0).</p>

Operation (continued)

7 Replacing the Remote Control Battery

- When the remote control stops operating or its range seems reduced, it is time to replace the battery with new ones.
 - On the back end of the remote, press and slide the battery door open and remove the old batteries.
 - Insert two AAA batteries, checking that the + and - sides of the battery match inside the battery compartment.
 - Replace the battery compartment door.



NOTE: Do not mix old and new batteries. Do not mix alkaline, standard (carbonzinc), or rechargeable (nicad, nimh, etc) batteries. Do not ingest batteries.



NOTE: Please operate the remote control at a slow measured pace. Press the remote control buttons with an even motion and gentle pressure. Repeatedly pressing buttons in rapid succession may cause the transmitter to malfunction.



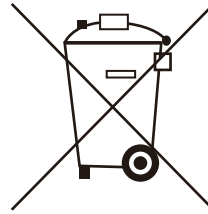
NOTE: Batteries should be removed if the product is to be left unused for a long time.

- For best results, use 2pcs AAA alkaline batteries.
- Install only new batteries of the same type in your product.
- Failure to insert batteries in the correct polarity, as indicated in the battery compartment, may shorten the life of the batteries or cause batteries to leak.
- Do not mix old and new batteries.
- Do not mix Alkaline, Standard (Carbon-Zinc) or Rechargeable (Nickel Cadmium) or (Nickel Metal Hydride) batteries.
- Danger of explosion if battery is incorrectly replaced.
- Do not ingest batteries.

Batteries should be recycled or disposed of as per state and local guidelines.

8 Disposing of Used Batteries

- The battery may contain hazardous substances that could endanger the environment and human health.
- This symbol marked on the battery and/or packaging indicates that used battery shall not be treated as municipal waste. Instead it should be left at the appropriate collection point for recycling.
- By correctly disposing used batteries, you prevent potential negative consequences for the environment and human health. Recycling used materials also conserves natural resources.
- For more information about collecting and recycling used batteries, please contact your local municipality, your waste disposal service or the point of sale where you purchased this product.



FCC/IC Information

Warning: Changes or modifications to this unit not expressly approved by the party responsible for compliance could void user's authority to operate the equipment.

NOTE: This equipment has been tested and found to comply with the limits for Class B digital device, pursuant to part 15 of the FCC Rules. These limits are designed to provide reasonable protection against harmful interference in a residential installation. This equipment generates, uses, and can radiate radio frequency energy and, if not installed and used in accordance with the instructions, may cause harmful interference to radio communications. However, there is no guarantee that interference will not occur in a particular installation. If this equipment does cause harmful interference to radio or television reception, which can be determined by turning the equipment off and on, the user is encouraged to try to correct the interference by one or more of the following measures:

- Reorient or relocate the receiving antenna.
- Increase the separation between the equipment and the receiver.
- Connect the equipment into an outlet on a circuit different from that to which the receiver is connected.
- Consult the dealer or an experienced radio/TV technician for help.

This device complies with Part 15 of the FCC Rules. Operation is subject to the following two conditions:

- (1) This device may not cause harmful interference, and
- (2) this device must accept any interference received, including interference that may cause undesired operation.

This Class B digital apparatus complies with Canadian ICES-003.

Care and Cleaning

- Clean the metal trim using a soft cloth, slightly dampened with a citrus oil-based product and buff with a soft, clean cloth. DO NOT use brass polish or household cleaners as these products will damage the metal trim.
- Purchase citrus oil-based products at a hardware store.



WARNING: Make sure the power is turned off before proceeding with repairs. Any electrical repairs or rewiring of this unit should be carried out by a licensed electrician in accordance with national and local codes. If repairing or replacing any electrical component or wiring, the original wire routing, color coding and securing locations must be followed. During any service of this appliance, the power to the unit must be turned off. First turn the main power switch to the OFF position. Then remove the electrical plug from the wall outlet.



WARNING: Keep electrical cords, drapery, furniture and other combustibles at least 3 ft (0.9 m) from the front of the heater and away from the sides.



WARNING: Electrical outlet wiring must comply with local building codes and other applicable regulations to reduce the risk of fire, electrical shock and injury to persons.



WARNING: Do not use this fireplace if any part of it has been under water. Immediately call a qualified service technician to inspect the fireplace and replace any part of the electrical system.



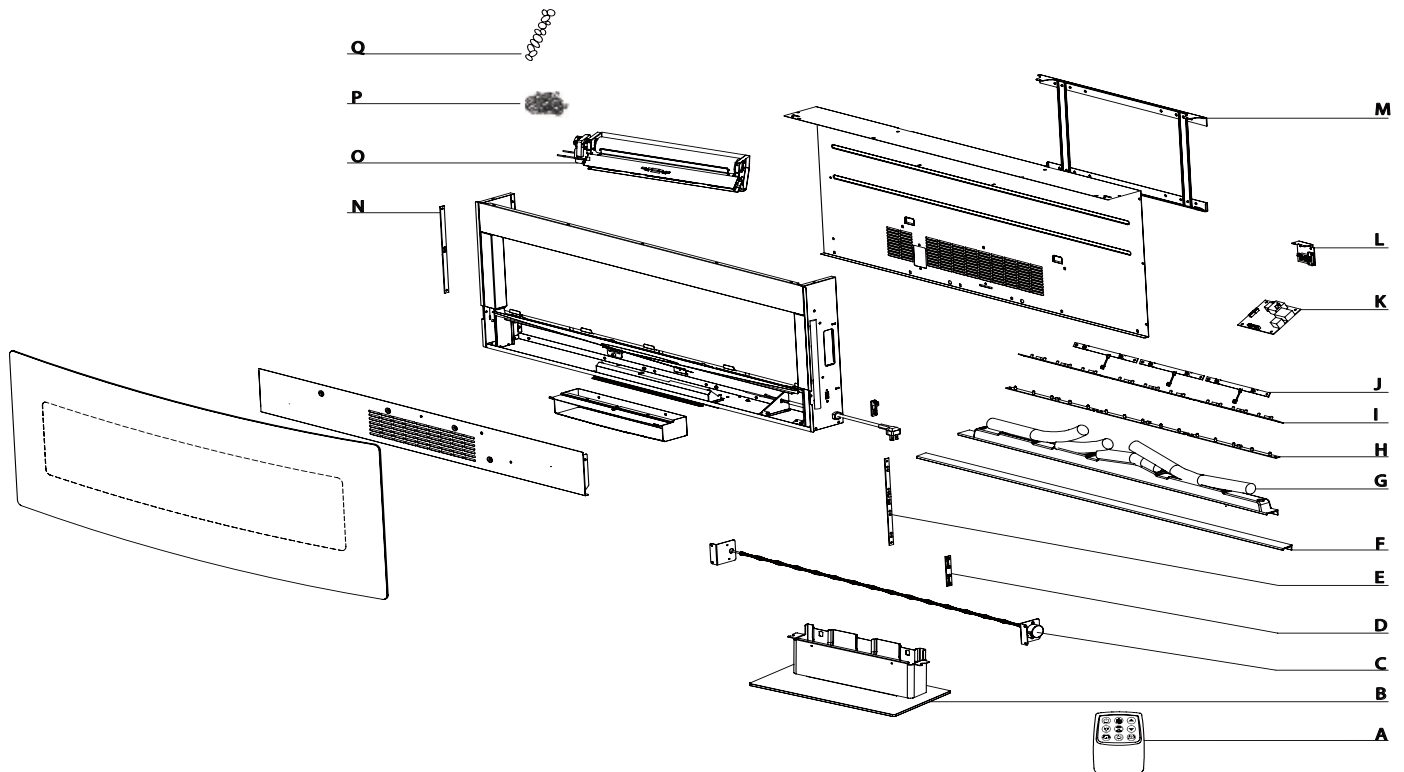
WARNING: Disconnect power before attempting any maintenance or cleaning to reduce the risk of fire, electrical shock or personal injury.

Troubleshooting

PROBLEM	POSSIBLE CAUSE	CORRECTIVE ACTION
Display shows “ E 1 ”.	The thermostat sensor is broken or disconnected.	Unplug the fireplace, remove the back panel of the fireplace and check that the thermostat is plugged into the main circuit board. If this does not solve the problem contact customer service for a replacement thermostat sensor.
Display shows “ E 2 ”.	The thermostat sensor is broken.	Contact customer service for a replacement thermostat sensor.
Display shows “ E 3 ”.	Manual Reset overheat protection has triggered.	Inspect the heater and check that the air inlets and outlets are not blocked as this may cause overheating. Unplug the heater for 30 minutes and allow it to cool down. Replug, operate, and monitor the heater for signs of overheating. If the problem persists discontinue use of the heater and contact customer service.
The heater does not blow warm air.	The heater is in a cool down cycle.	This is normal operation and the heater will continue to run for several minutes before shutting down. Times will vary based on temperatures. During this time cool air will blow.
There is no power.	There is no power to the unit.	Check that unit is plugged into a standard 120V outlet. Press the Power button several times and make sure the power is set to the “ON” position.
The heater does not blow any air.	Thermostat setting is preventing heater from turning on.	Adjust the temperature settings to ensure that the thermostat is set higher than the current room temperature.
The heater does not work, but Power and Heater settings are “ON” and thermostat is set.	Manual reset overheat protection triggered.	Turn the Power to “OFF” and unplug the unit from the wall outlet for 30 minutes. After 30 minutes plug the unit back into wall outlet, and operate as normal. If the problem persists contact customer service.
Flame effect works but heater function does not, and the flame effect flashes when the Heater button is pressed.	The heater is disabled.	With the power on press and hold the Power button on the control panel for 10 seconds. Once re-enabled the flame effect will flash multiple times.
The remote control is not working.	There are no batteries or the signal is poor.	Change the remote batteries. Operate remote transmitter at a slow measured pace. Press the remote control buttons with an even motion and gentle pressure. Repeatedly pressing buttons in rapid succession may cause the transmitter to malfunction.
The noise when the heater is on is louder than normal.	a. The air intakes are dirty or obstructed. b. The blower/heater assembly is defective.	a. Check the air intakes for obstructions or high dust build up. b. Contact Customer Service for a new Heater/Blower Assembly.
Abnormal noise when the heater is not on and the flame effect is on.	The spinner motor is defective.	Contact Customer Service for a new Spinner Motor.

Replacement Parts

Part	Description	Part Number	Qty.
A	Remote Control 9 Buttons	P127	1
B	BASE and STAND assembly	Y15-S162-BS	1
C	Flame Generator Drive Motor	P10-6	1
D	Control Panel Circuit Board	Y15-S162-P32	1
E	Right backlight PCBA	Y15-S162-P49R	1
F	Clear Tray	48HF201-H	1
G	Logsets	48HF201-F	1
H	Emberbed Circuit Board	Y15-S162-P44E	3
I	Flame Circuit Board	Y15-S162-P40	3
J	Blue backlight PCBA	Y15-S162-P40BL	3
K	Main Circuit Board	Y15-S162-P15	1
L	LCD Display	Y15-S158-P79	1
M	Bracket Mounting	Y15-S162-MT	1
N	Left backlight PCBA	Y15-S162-P49L	1
O	Heat/Blower Elements	Y15-S162-P01	1
P	Fire glass	Y15-S162-FG	varies
Q	Rocks	Y15-S162-RK	varies



duraflame[®]

www.tsicustomerservice.com